

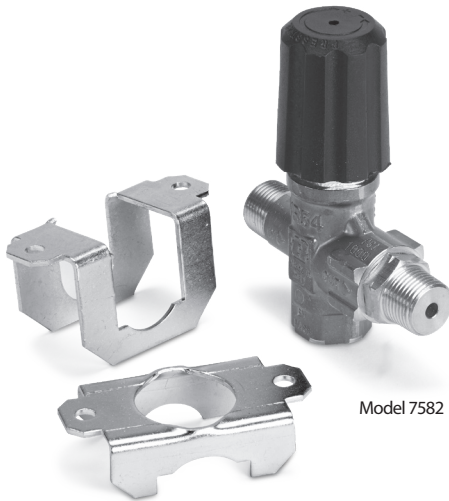
DATA SHEET

PRESSURE SENSITIVE REGULATING UNLOADER



The Pumps with Nine Lives

Brass Models: 7582, 7583



Model 7582

999195 Panel Mount Bracket
(Sold separately)

FEATURES

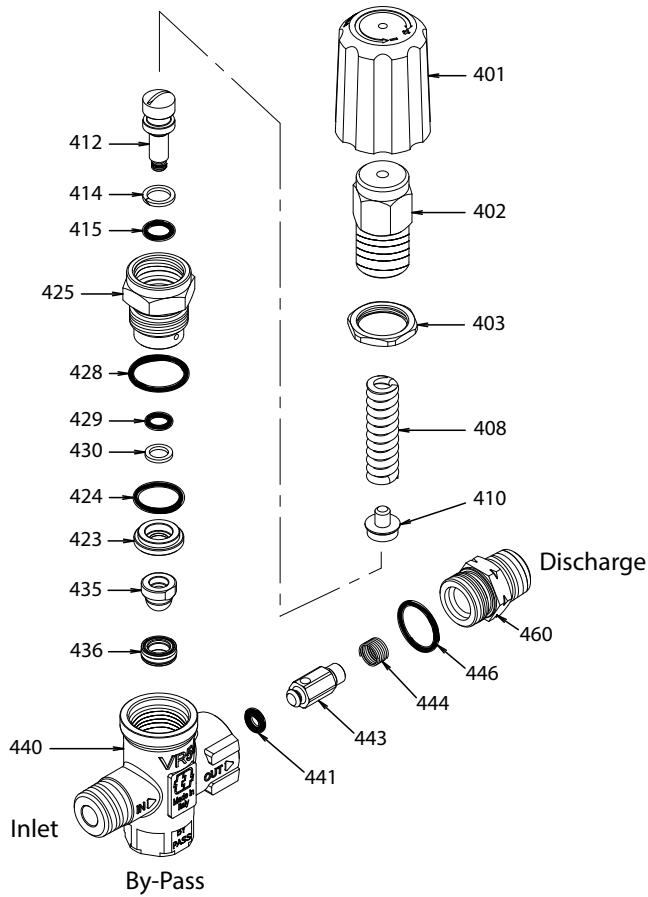
- Provides system pressure setting and protection for single gun non-weep and single pump installation.
- Can be configured as a relief valve by removing the check valve from discharge fitting.
- Pressure sensitive feature permits wide range of flows and immediate pressure when gun opens.
- Adjusting cap permits easy adjustments of pressure.
- Panel mount bracket available.

SPECIFICATIONS

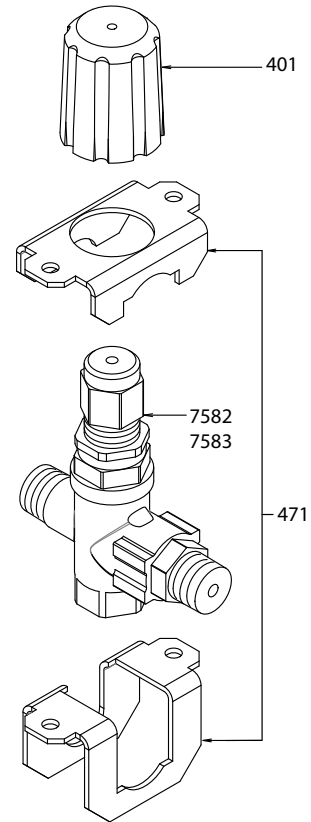
	U.S.	Metric
Flow Range	0.5 – 8.0 gpm	1.9 – 30 lpm
Pressure Range (7582)	100 – 1000 psi	6.9 – 69 bar
Pressure Range (7583)	250 – 2000 psi	17 – 138 bar
Maximum Temperature	194° F	90° C
Inlet Port (Back)	3/8" NPT(M)	3/8" NPT(M)
By-Pass Port (Bottom)	3/8" NPT(F)	3/8" NPT(F)
Outlet Port (Front)	3/8" NPT(M)	3/8" NPT(M)
Weight	12.8 oz.	0.36 kg
Dimensions	3.11 x 0.87 x 3.70"	76 x 22 x 93.9 mm

For Relief Valve version add .100 to unloader model number.

EXPLODED VIEW



BRACKET VIEW



PARTS LIST

ITEM	P/N	MATL	DESCRIPTION	QTY.
401	—	NY	Handle, Adjusting (Black)	1
402	—	BB	Cap, Hex Adjusting	1
403	—	BB	Nut, Lock	1
408	—	STL	Spring, Pressure (Gold 100–1000 psi)	1
	—	STL	Spring, Pressure (Silver 250–2000 psi)	1
410	—	STL R	Retainer, Spring	1
412	—	S	Stem, Piston	1
414	—	PTFE	Back-up Ring, Piston Stem	1
415	—	NBR	O-Ring, Piston – 70D	1
423	—	BB	Retainer, Valve	1
425	—	NBR	Retainer, Piston	1
428	—	NBR	O-Ring, Piston Retainer – 90D	1
429	—	NBR	O-Ring, Stem – 90D	1
430	—	PTFE	Back-up Ring, Piston Stem	1
435	—	S	Valve Assembly	1

ITEM	P/N	MATL	DESCRIPTION	QTY.
436	—	S	Seat w/NBR – 90D O-Ring	1
440	—	BB	Body	1
441	—	NBR	O-Ring, Check Valve – 70D	1
443	—	BB	Valve, Check	1
444	—	S	Spring, Check Valve	1
446	—	NBR	O-Ring, Discharge Fitting – 90D	1
460	—	BB	Fitting, Discharge [3/8" NPT(M)]	1
470	76026	NBR	Kit, Repair (Includes: 414, 415, 424, 428, 429, 430, 435, 436, 441, 443, 444, 446)	1
471	999195	STZP	Assy, Panel Bracket (Hardware Not Included)	1

Italics are optional items.

R Components comply with RoHS Directive.

MATERIAL CODES (Not Part of Part Number):

NBR=Medium Nitrile (Buna-N) NY=Nylon PTFE=Pure Polytetrafluoroethylene

S=304SS STL=Steel STZP=Steel/Zinc Plated

⚠ CAUTIONS AND WARNINGS

All High-Pressure Systems require a primary pressure regulating device (i.e. regulator, unloader) and a secondary pressure relief device (i.e. pop-off valve, relief valve). Failure to install such relief devices could result in personal injury or damage to pump or property. Cat Pumps does not assume any liability or responsibility for the operation of a customer's high-pressure system.

Read all CAUTIONS and WARNINGS before commencing service or operation of any high-pressure system. The CAUTIONS and WARNINGS are included in each Service Manual and with each Accessory Data sheet. CAUTIONS and WARNINGS can also be viewed online at www.catpumps.com/dynamic-literature/cautions-and-warnings or can be requested directly from Cat Pumps.

WARRANTY

View the Limited Warranty on-line at www.catpumps.com/warranty.