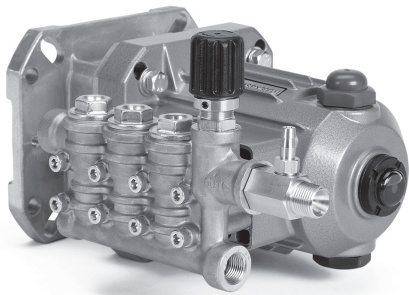


# DATA SHEET

## DIRECT DRIVE PLUNGER PUMP



**Brass Model: 4SPX32G11**



### FEATURES

- Triplex plunger design ensures high efficiency and low pulsation.
- Compact flange mount permits easy, direct mounting to most gas engines.\*
- Integral regulating unloader with built-in bypass ensures system pressure control and pump protection.
- Stacked stainless steel valve design promotes long-life and easy servicing.
- Fixed chemical injector aids in cleaning flexibility.
- Includes crankcase oil.

\*Gas Mounting Flange: SAE J609, Flange B, Extension 4 (1" Ø), Shaft Length = 3 1/4" Pilot Ø = 5 3/4", B.C. Ø = 6 1/2", Thread = 3/8" - 16 UNC TAP

SPECIFICATIONS	U.S. Measure	Metric Measure
Flow	3.2 gpm	12.1 lpm
Pressure Range	100–3000 psi	6.9–207 bar
Pump RPM	3450 rpm	3450 rpm
Inlet Pressure Range	Flooded to 60 psi	Flooded to 4.1 bar
Max. Liquid Temperature	140° F	60° C
Bore	0.551"	14 mm
Stroke	0.327"	8.3 mm
Crankcase Capacity	10.1 oz	0.30 l
Inlet Port	3/8" NPT(F)	3/8" NPT(F)
Discharge Port	3/8" NPT(M)	3/8" NPT(M)
Accessory/Discharge Port	3/8" NPT(F)	3/8" NPT(F)
Accessory Inlet Port	1/4" NPT(F)	1/4" NPT(F)
Shaft Diameter (Hollow - Gas)	1"	25.4 mm
Weight	13.9 lbs	6.3 kg
Dimensions	10.98 x 7.81 x 7.11"	279 x 198 x 180 mm

### TORQUE AND HORSEPOWER REQUIREMENTS

	FLOW		PRESSURE						PUMP RPM
	GPM	LPM	2000		2500		3000		
			PSI	BAR	PSI	BAR	PSI	BAR	
Torque	3.2	12.1	6.7 ft-lbs		8.3 ft-lbs		10.0 ft-lbs		3450
Horsepower*			5.6 hp		7.0 hp		8.4 hp		

\*HP is for estimate only. Torque values of the engine at given rpm should be used to determine correct size of engine. Consult engine manufacture for actual torque available at required speed.

**DETERMINING THE PROPER TORQUE**

$$\text{Torque (ft-lbs)} = 3.6 \times \frac{\text{gpm} \times \text{psi}}{\text{rpm}}$$

**DETERMINING THE REQUIRED HP**

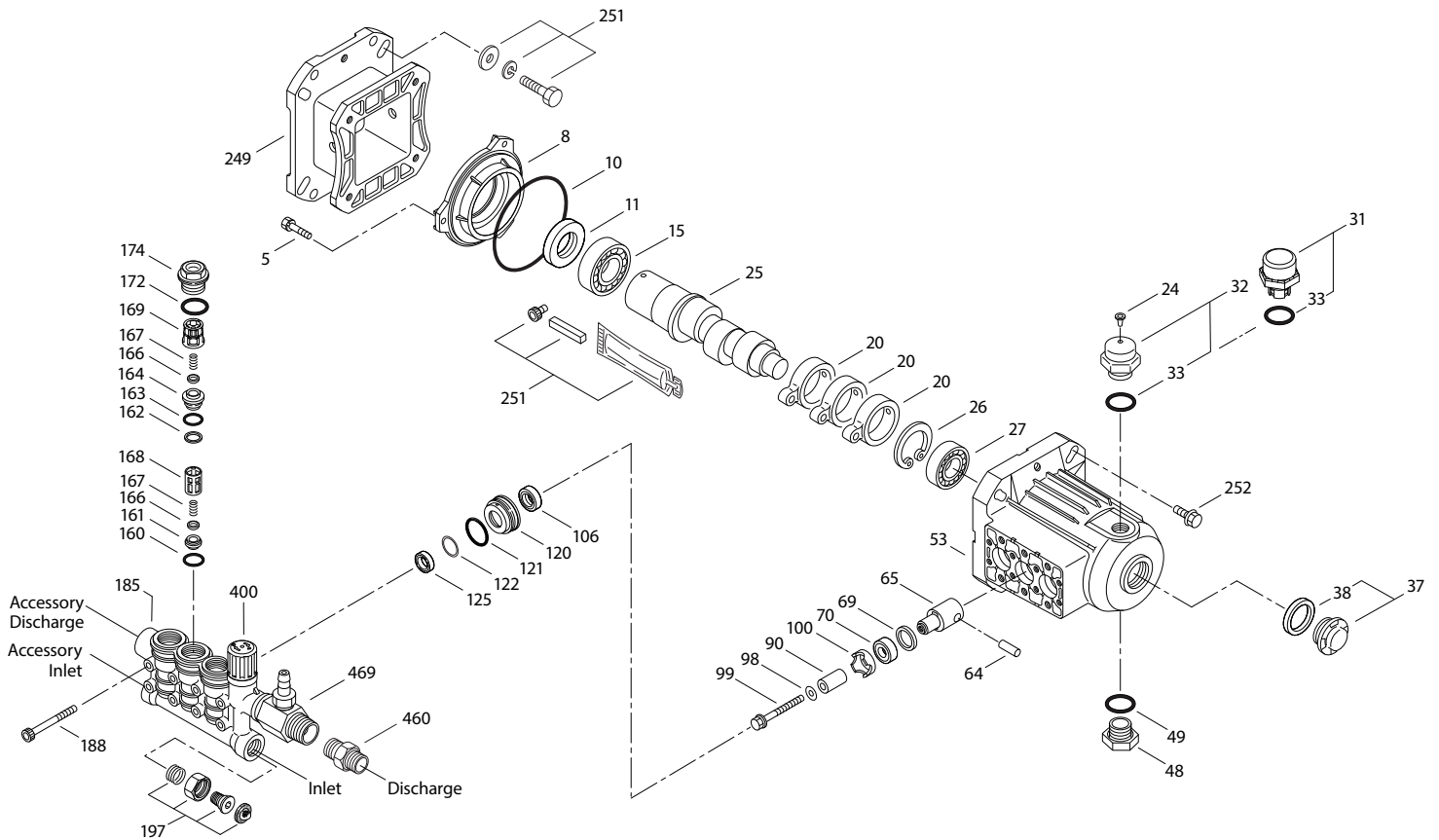
$$\text{Engine hp (Estimated)} = \frac{\text{gpm} \times \text{psi}}{1140}$$

**DETERMINING THE PUMP RPM**

$$\frac{\text{Rated gpm}}{\text{Rated rpm}} = \frac{\text{Desired gpm}}{\text{Desired rpm}}$$

Refer to pump **Service Manual** for repair procedure and additional technical information.

# EXPLODED VIEW



## PARTS LIST

ITEM	P/N	MATL	DESCRIPTION	QTY
5	549360	STCP R	Screw, HHC Sems (M6 x 14) (See Tech Bulletin 074)	3
8	547084	AL	Cover, Bearing	1
10	14041	NBR	O-Ring, Bearing Cover-70D	1
11	125351	NBR	Seal, Oil	1
15	56110	STL	Bearing, Inner, Ball	1
20	547020	TNM	Assembly, Rod, Connecting	3
24	549608	LDPE	Plug, Oil Cap (Black)	1
25	831680	FCM	Crankshaft, 1", (8.3 mm)	1
26	12385	STL	Ring, Retaining	1
27	15710	STL	Bearing, Outer, Ball	1
31	549726	—	Cap, Vented with O-Ring (Rain Cap)	1
32	547961	RTP	Cap, Oil Filler with O-Ring	1
33	14179	NBR	O-Ring, Oil Filler Cap-70D	1
37	92241	PC	Gauge, Oil, Bubble with Gasket-80D (See Tech Bulletin 074)	1
38	44428	NBR	Gasket, Flat, Oil Gauge-80D	1
48	44842	NY	Plug, Drain	1
49	14179	NBR	O-Ring, Drain Plug-70D	1
53	547099	AL	Crankcase	1
64	16948	CM	Pin, Crosshead	3
65	49982	BB	Rod, Plunger	3
69	126259	STCP R	Washer, Oil Seal	3
70	25301	NBR	Seal, Oil	3
90	547091	CC	Plunger (M14 x 25.5)	3
98	46730	NBR	Washer, Seal-90D	3
99	542405	S	Retainer, Plunger (M6 x 35) (See Tech Bulletin 074)	3
100	44869	PVDF	Retainer, Seal	3
106	45188	NBR	Seal, Low-Pressure with S-Spring	3

ITEM	P/N	MATL	DESCRIPTION	QTY
120	49942	BB	Case, Seal	3
121	13977	NBR	O-Ring, Seal Case-70D	3
122	49943	PE	Ring, Support	3
125	49824	BP	Seal, High-Pressure	3
160	17428	NBR	O-Ring, Inlet Seat-80D	3
161	547077	S	Seat, Inlet	3
162	48361	D	Backup Ring, Discharge Seat	3
163	670085	NBR	O-Ring, Discharge Seat-70D	3
164	547076	S	Seat, Discharge	3
166	547098	S	Valve	6
167	134579	S	Spring	6
168	543988	PVDF	Retainer, Spring, Inlet	3
169	49764	PVDF	Retainer, Spring, Discharge	3
172	142807	NBR	O-Ring, Valve Plug-90D	3
174	547104	BB	Plug, Valve with O-Ring (See Tech Bulletin 074)	3
185	49862	FBB	Head, Manifold with Integral Unloader Body	1
188	549357	STCP R	Screw, HSH (M6 x 60) (See Tech Bulletin 074)	8
197	941516	BB	Assembly, Garden Hose (3/8" NPT[M] x 3/4" GH[F])	1
249	547085	AL	Flange, Adapter	1
251	31643	—	Mount, Adapter, Assembly	1
252	126764	STCP R	Screw, Hex (M8 x 35)	4
283	990394	—	Kit, Oil Drain (Not Shown)	1
300	76977	NBR	Kit, Seal (Includes: 98, 106, 121, 125)	1
310	76976	NBR	Kit, Valve (Includes: 160-164, 166-169, 172)	1
400	—	—	Unloader, Integral (See Individual Parts)	1
460	107681	BB	Fitting, Discharge (3/8" NPT[M])	1
469	7332	—	Injector, Chemical Fixed	1

*Italics are optional items.* R Components comply with RoHS Directive.

R Components comply with RoHS Directive. For additional technical information see [www.catpumps.com/literature/tech-bulletins](http://www.catpumps.com/literature/tech-bulletins).

MATERIAL CODES (Not Part of Part Number): AL=Aluminum BB=Brass BP=Special Poly-Blend CC=Ceramic CM=Chrome-Moly D=Acetal

FBB=Forged Brass FCM=Forged Chrome-Moly LDPE=Low Density Polyethylene NBR=Medium Nitrile (Buna-N) NY=Nylon PC=Poly Carbonate

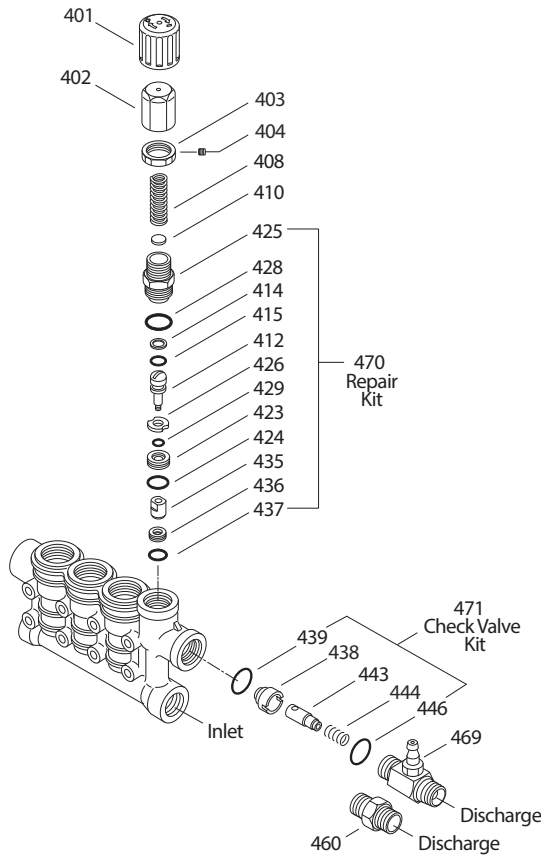
PE=Polyethylene PVDF=Polyvinylidene Fluoride RTP=Reinforced Composite S=304SS STCP=Steel/Chrome Plated STL=Steel TNM=Special High Strength

Note: Discard key which may come standard with most motors and engines and **use only the key included in this kit.**

## INTEGRAL UNLOADER

### SPECIFICATIONS

	U.S.	Metric
Flow	3.2 gpm	12.1 lpm
Pressure Range	100–3000 psi	6.9–207 bar
Discharge Port	M18 x 1.0	M18 x 1.0



### PARTS LIST

ITEM	PN	MATL	DESCRIPTION	QTY
401	547797	NY	Handle, Adjusting	1
402	547798	BB	Cap, Adjusting	1
403	548671	BB	Nut, Lock (M18 x 1)	1
404	548675	STL	Screw, Set (M4 x 1)	1
408	32094	STZP R	Spring, Pressure	1
410	549352	STCP R	Retainer, Spring	1
412	45694	S	Stem, Piston (M5)	1
414	20184	PTFE	Backup Ring, Piston Stem	1
415	14190	NBR	O-Ring, Piston Stem–70D	1
423	46249	BB	Retainer, Valve	1
424	13966	NBR	O-Ring, Valve Retainer (Outer)–70D	1
425	547799	BB	Retainer, Piston	1
426	46250	S	Washer	1
428	26133	NBR	O-Ring, Piston Retainer–80D	1
429	17399	NBR	O-Ring, Valve Retainer (Inner)–80D	1
435	547800	S	Valve/Ball Assembly	1
436	49664	S	Seat	1
437	13963	NBR	O-Ring, Seat–70D	1
438	46254	NY	Seat, Check Valve	1
439	13963	NBR	O-Ring Check Valve Seat–70D	1
443	49765	D	Valve, Check	1
444	45924	S	Spring, Check Valve	1
446	26133	NBR	O-Ring, Body–80D	1
460	107681	BB	Fitting, Discharge (M18 x 3/8" NPT[M])	1
468	31767	NBR	Kit, O-Ring (Includes: 414, 415, 424, 428, 429, 437, 439, 446)	1
469	7332	BB	Injector, Fixed Chemical	1
470	76179	NBR	Kit, Repair (Includes: 412, 414, 415, 425, 428, 429, 435–437)	1
471	76146	NBR	Kit, Check Valve (Includes: 438, 439, 443, 444, 446)	1

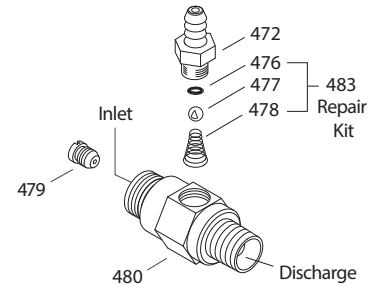
*Italics are optional items.* R Components comply with RoHS Directive.

MATERIAL CODES (Not Part of Part Number): BB=Brass D=Acetal  
NBR=Medium Nitrile (Buna-N) NY=Nylon PTFE=Pure Polytetrafluoroethylene  
S=304SS STL=Steel STCP=Steel/Chrome Plated STZP=Steel/Zinc Plated

## 7332 FIXED CHEMICAL INJECTOR

### SPECIFICATIONS

	U.S.	Metric
Flow	3.2 gpm	12.1 lpm
Nozzle Orifice	2.1 mm	2.1 mm
Hose Barb	1/4"	1/4"
Inlet Port	M18 x 1.0	M18 x 1.0
Discharge Port	3/8" NPT(M)	3/8" NPT(M)
Weight	5.3 oz	0.15 kg
Dimensions	2 x 1 x 1.75"	50.8 x 25.4 x 45 mm



### PARTS LIST

ITEM	PN	MATL	DESCRIPTION	QTY
472	49132	BB	Barb, Fix	1
476	—	NBR	O-Ring, Barb–70D	1
477	—	S	Ball	1
478	—	S	Spring	1
479	—	S	Orifice	1
480	—	BB	Body	1
483	76176	NBR	Kit, Repair (Includes: 476, 477, 478)	1

MATERIAL CODES (Not Part of Part Number):  
BB=Brass NBR=Medium Nitrile (Buna-N) S=304SS

### PERFORMANCE CHART

Orifice Size	Maximum Injecting Pressure	Minimum Chemical Draw	Pressure Drop Across Orifice
1.8 mm	100 psi	52 oz/min	100 psi

**NOTE:** Optimum performance of Chemical Injector occurs with a 35 ft. high-pressure hose with a minimum 3/8" ID. The type of hose, extended lengths, reduced ID and fittings may create additional backpressure above the maximum injecting pressure rating of the injector and prevent it from drawing chemicals.

### REGULATING DEVICE

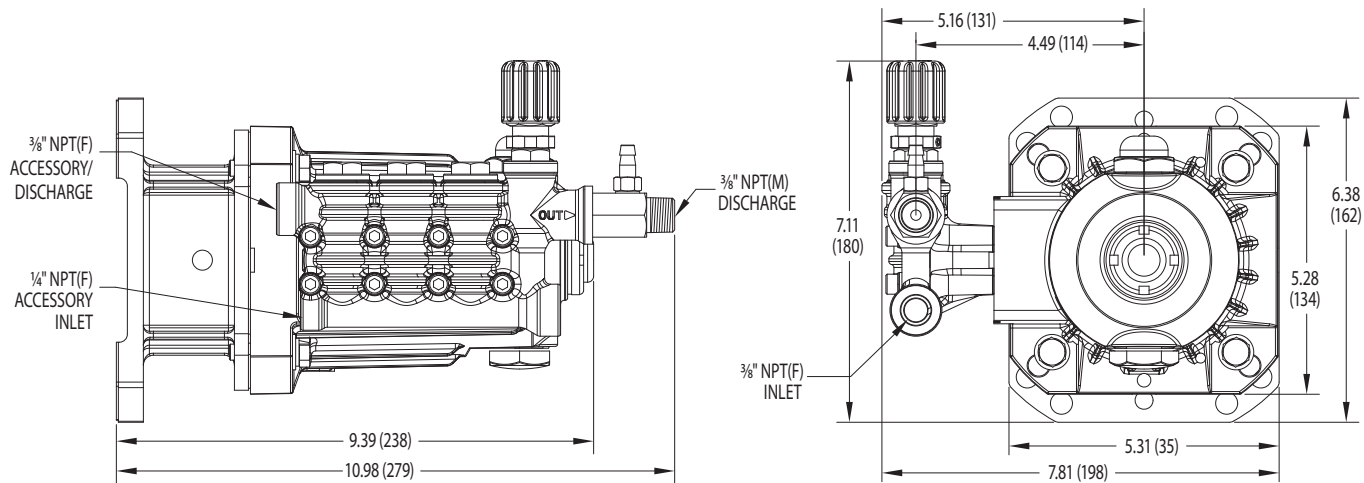
An integral unloader with built-in bypass is part of the discharge manifold to provide system pressure regulation and pump protection. This pump also includes a fixed chemical injector for chemical application.

### OPERATION:

Purge pump prior to operation by allowing liquid to flow through the pump without discharge restriction. Removing trapped air will ensure full system pressure can be obtained. Install a pressure gauge close to the manifold head to assist in setting and monitoring system pressure. Setting and adjusting the unloader pressure must be done with the system turned on. Start the system with the unloader backed off to the lowest pressure setting (counterclockwise direction). Squeeze the trigger and read the pressure on the gauge at the pump. Do not read pressure at the gun or nozzle. If more pressure is desired, release the trigger, turn adjusting cap one quarter turn in a clockwise direction. Squeeze the trigger and read the pressure. Repeat this process until the desired system pressure is reached. Thread locking nut up to adjusting cap and tighten set screw. All high-pressure systems should have a secondary relief valve. Set secondary relief valve 200–300 psi above the unloader setting. **NOTE:** Pressure is not set at the factory.

### SERVICE:

The unloader should be serviced on the same schedule as the seals in the pump. Refer to 4DNX, 4DX, 4SPX Service Manual for servicing of seals and valves, torque requirements and diagnosis maintenance chart.



Model 4SPX32G11

**⚠ CAUTIONS AND WARNINGS**

All high-pressure systems require a primary pressure regulating device (e.g. regulator, unloader) and a secondary pressure relief device (e.g. pop-off valve, relief valve). Failure to install such relief devices could result in personal injury or damage to pump or property. Cat Pumps does not assume any liability or responsibility for the operation of a customer's high-pressure system.

Read all CAUTIONS and WARNINGS before commencing service or operation of any high-pressure system. The CAUTIONS and WARNINGS are included in each Service Manual and with each Accessory Data sheet. CAUTIONS and WARNINGS can also be viewed online at [www.catpumps.com/dynamic-literature/cautions-and-warnings](http://www.catpumps.com/dynamic-literature/cautions-and-warnings) or can be requested directly from Cat Pumps.

**WARRANTY**

View the Limited Warranty online at [www.catpumps.com/literature/cat-pumps-limited-warranty](http://www.catpumps.com/literature/cat-pumps-limited-warranty)