

DATA SHEET

Y-INLINE FILTER



Model: 7109



FEATURES

- Durable fiberglass reinforced polypropylene body for corrosion resistance.
- 316 stainless steel 80 mesh screens to filter out standard water particulates and debris.
- EPDM gasket for compatibility.
- Heavy-duty end cap threads for strength and durability.
- Convenient in-line installation and bottom clean out port for easy periodic flushing and cleaning.

SPECIFICATIONS

	U.S. Measure	Metric Measure
Flow Range		
Suction	100 gpm	378 lpm
Pressurized	150 gpm	567 lpm
Inlet Pressure Range		
@ 70°F	150 psi	10.5 bar
@ 125°F	100 psi	7 bar
Maximum Temperature	125°F	52°C
Inlet Fitting	2" NPT(F)	2" NPT(F)
Discharge Fitting	2" NPT(F)	2" NPT(F)
Bottom Drain Port	1-1/4"	1-1/4"
Mesh Size	80	80
Micron Equivalent	178	178
Pressure Drop Across (Clean) Filter	Nominal	Nominal
Weight	36 oz.	1.4 kg
Dimensions	8.56 x 4.62 x 7.89"	217 x 117 x 200 mm

SELECTION

Select the inline filter to match the system flow, pressure requirements and pump inlet port size. This filter is designed to filter out standard water debris. It is not intended to eliminate fine abrasives or chemicals. Special filtration is required for these conditions.

INSTALLATION

This filter should be installed in a system with a pump inlet line of 2" or less to avoid restriction of the inlet flow to the pump. Some conditions may require dual filters to assure clean water to the pump and minimize inlet flow restriction.

To assure a positive flow to the pump, a low pressure shut-off switch can be installed at the pump inlet to turn pump off when filter clogs and restricts flow.

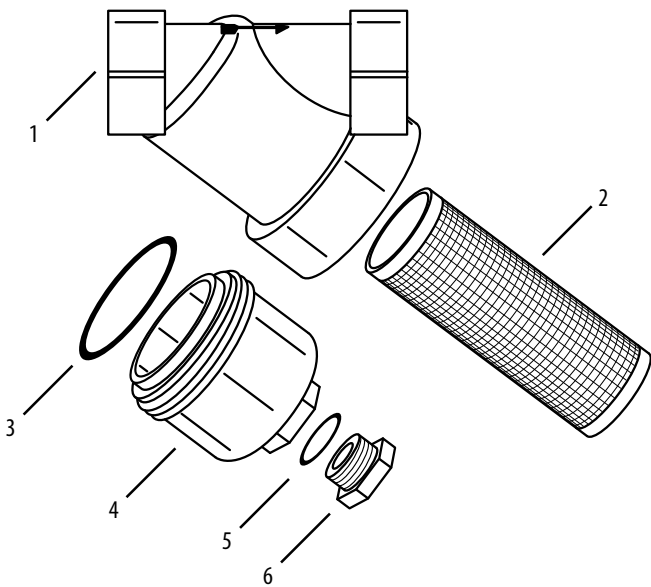
OPERATION

This filter needs no adjustment. Simply install in the inlet line to pump and establish a routine maintenance cycle to assure good flow through the filter. For proper performance and service life, do not exceed the pressure rating of the filter. Do not exceed pump rated inlet pressure or suction lift.

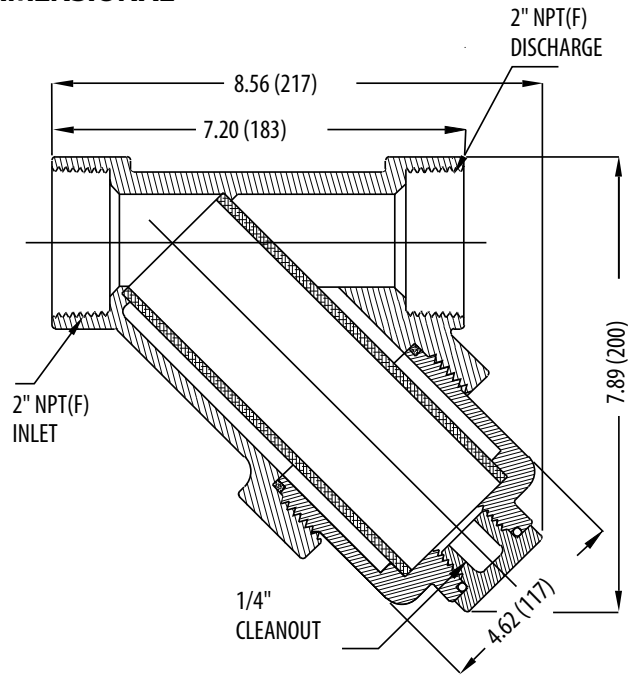
MAINTENANCE

Periodic flushing and screen cleaning is recommended to assure proper flow to the inlet of the pump. This schedule will be determined by the operation of the pump. A low pressure switch can be installed between the filter and pump to give a signal that service is needed.

EXPLODED VIEW



DIMENSIONAL



PARTS LIST

ITEM	P/N	MATL	DESCRIPTION	QTY.
1	—	POP	Y-Housing	1
2	33081	SS	Screen	1
3	33087	EPDM	O-Ring, 2"	1
4	—	POP	Lower Body	1
5	—	NBR	O-Ring, Plug - 70D	1
6	—	POP	Plug, Clean Out	1

MATERIAL CODES (Not Part of Part Number):

EPDM=Ethylene Propylene Diene Monomer

NBR=Medium Nitrile (Buna-N)

POP=Polypropylene

SS=316SS

NOTE: Old screen design had two (2) o-rings on each end of screen.

New Design has no o-rings, but a "ridge" is built around the ends of the screen to act as an o-ring.

90 DAY WARRANTY

Refer to complete Cat Pumps Warranty for further information.

⚠ CAUTIONS AND WARNINGS

All High Pressure Systems require a primary pressure regulating device (i.e. regulator, unloader) and a secondary pressure relief device (i.e. pop-off valve, relief valve). Failure to install such relief devices could result in personal injury or damage to pump or property. Cat Pumps does not assume any liability or responsibility for the operation of a customer's high pressure system.

Read all CAUTIONS and WARNINGS before commencing service or operation of any high pressure system. The CAUTIONS and WARNINGS are included in each service manual and with each Accessory Data Sheet. CAUTIONS and WARNINGS can also be viewed online at www.catpumps.com/cautions-warnings or can be requested directly from Cat Pumps.

WARRANTY

View the Limited Warranty on-line at www.catpumps.com/warranty.



CAT PUMPS

1681 - 94TH LANE N.E. MINNEAPOLIS, MN 55449-4324

PHONE (763) 780-5440 — FAX (763) 780-2958

e-mail: techsupport@catpumps.com

www.catpumps.com