



# TECH BULLETIN

**032**  
05/84

*Published regarding engineering changes and improvements*

**SUBJECT: Shaft Extension on Models 310, 317, 323**  
**Manifold Port Changes on Models 310, 317, 323, 530, 550**

<b>Inlet Manifold Port:</b>	<b>Change</b>	<b>Effective Date</b>
Model 310, 317	Both inlet ports changed from 3/8" NPT to <b>1/2" NPT</b> .	N830101
Model 323	Special 1/4" NPT injection port added to inlet manifold.	3820101
<b>Discharge Manifold Port:</b>	<b>Change</b>	<b>Effective Date</b>
Model 310	Discharge ports moved <b>3/4" FORWARD</b> .	6830101
Model 530	Discharge ports moved <b>1" FORWARD</b> .	5831075
Model 550	Discharge ports moved <b>1" FORWARD</b> .	1840101
<b>Shaft Extension:</b>	<b>Change</b>	<b>Effective Date</b>
Model 310, 317	Both shafts extended by <b>5 mm</b> .	N830101
Model 323	Both shafts extended by <b>5 mm</b> .	D830101

All Model 310 and 323 pumps AFTER the above dates must use **PN 109692** (long) shaft protector. The complete mounting kit **PN 30659** will have the new **long** shaft protector included. PN 43364 (**short**) is no longer available, but the long shaft protector is interchangeable with the short on all models prior to above dates.

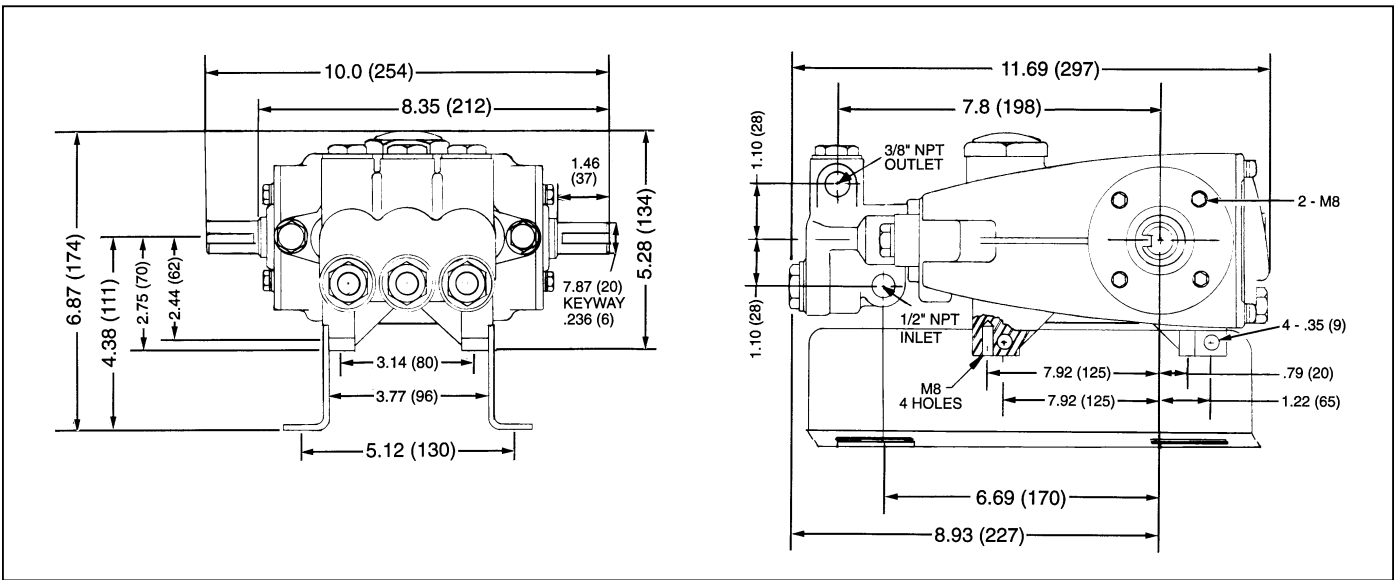
Please mark your stock accordingly and update your catalogs with this specification data.

See back side of page for dimensional drawings on above pumps.

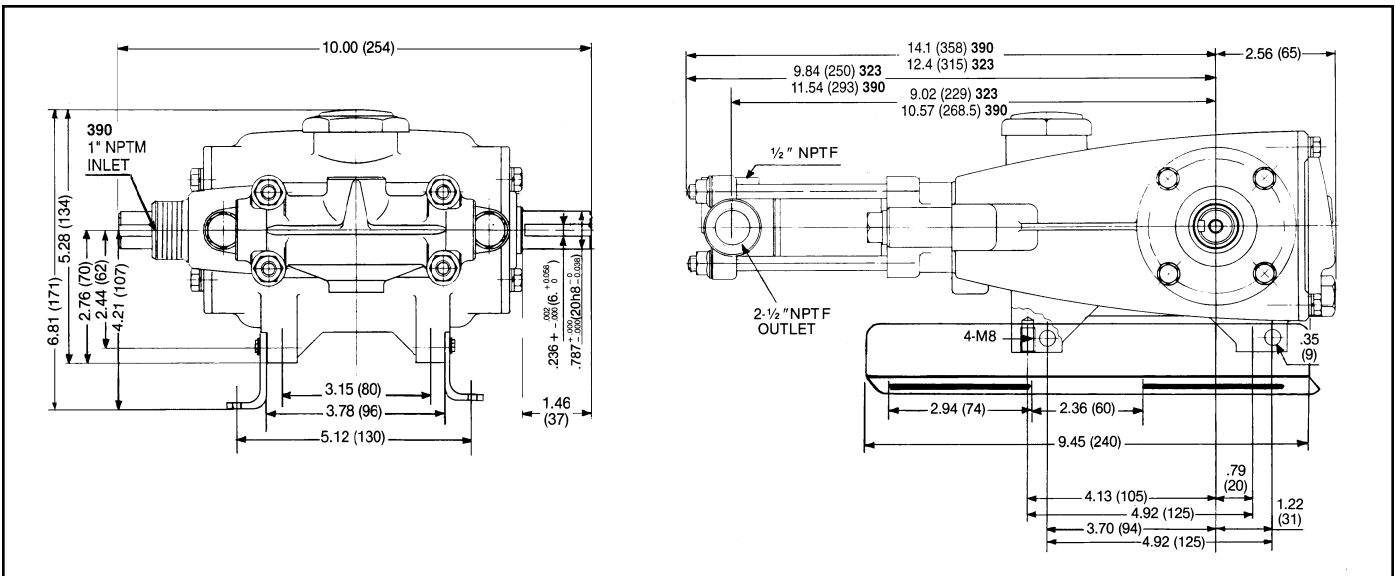
CAT PUMPS  
Technical Services Department

Rev. 04/96

## Model 310, 317



## Model 323



## Model 530, 550

