



TECH BULLETIN

075
10/95

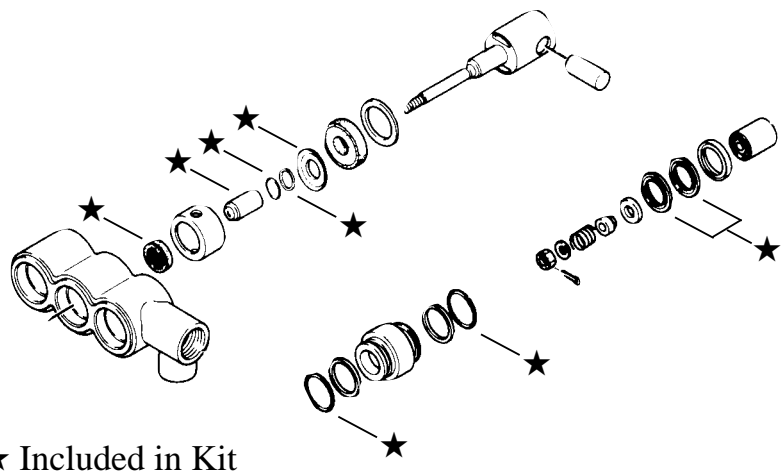
Published regarding engineering changes and improvements

SUBJECT: Sleeve Change - 4SF Pumps

The 4SF pumps have proven to be exceptionally long lasting performers in the portable pressure washer market. To offer even greater performance life and simplify servicing, the 4SF pump models have been upgraded to a new “Sleeved Piston Rod”.

The following are the new items needed to service these “S” sleeved style pumps. The “S” models started with production date October 1995.

- 46644 Piston Rod - Sleeved
- 46646 Sleeve
- 43568 Barrier Slinger
- 25392 O-Ring, Sleeve
- 29003 Back-up Ring, Sleeve
- 34063 Sleeve and Seal Kit



The standard “H” models will gradually be phased out and replaced with this new sleeved “S” version. The standard “H” piston rod will also be phased out. When replacing the “H” non-sleeved piston rod with the “S” sleeved piston rod, it is recommended that all three rods be done as a set. This will assure a uniform performance and provide easier servicing in the future.

CAT PUMPS
Technical Services Department

Rev. 11/99