

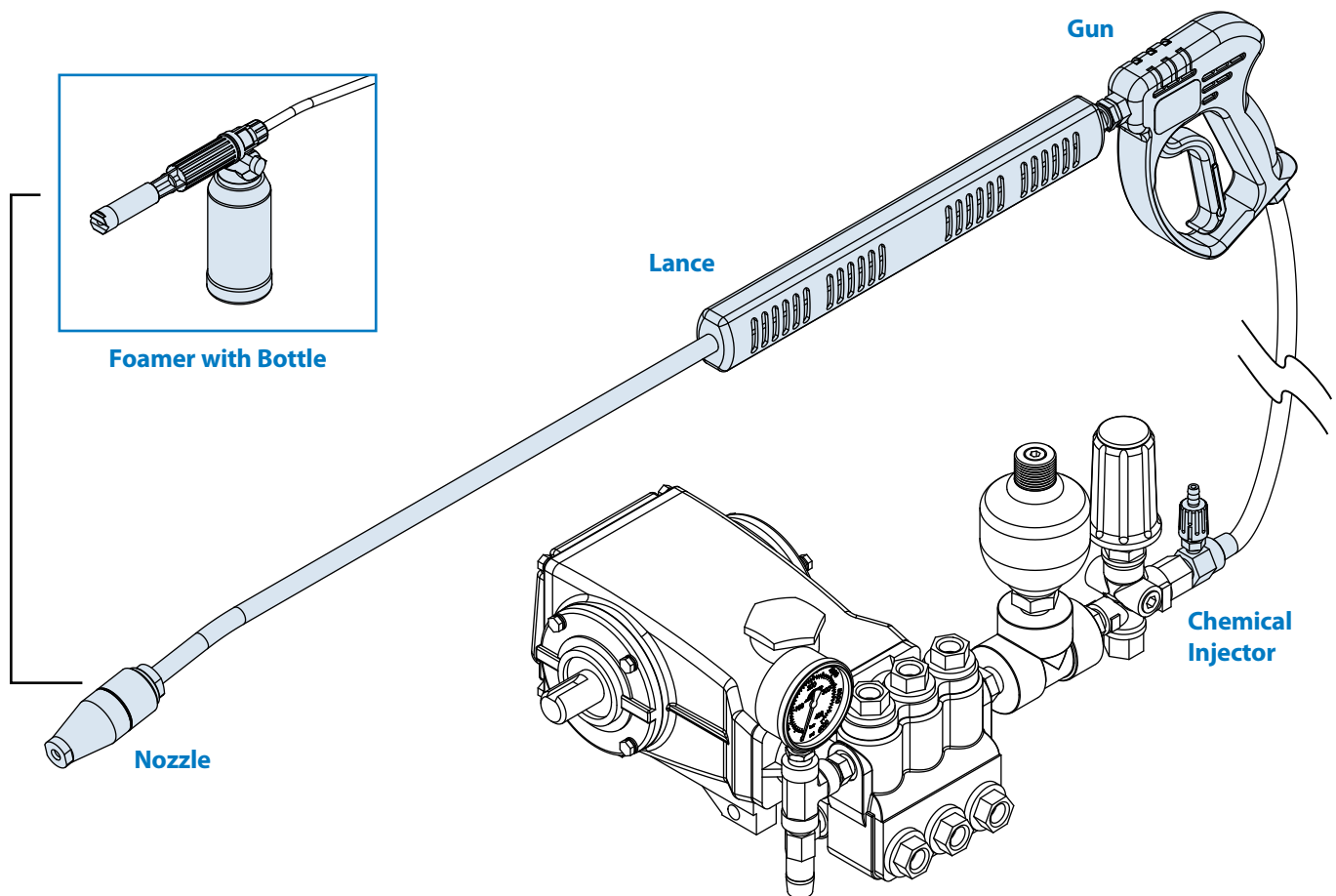
ACCESSORIES

Operator Controls



Cat Pumps® offers a wide range of quality accessories. Adhering to the same exacting standards as our pumps, all accessories are performance-tested and designed to match each pump's unique specifications. By demanding Cat Pumps products, you receive the best value and lowest life-cost over the life of the system.

To ensure the very best system life-cycle, Cat Pumps offers gun and lance assemblies, lances, nozzles, chemical injectors and foamers to meet your operator accessories needs. Whatever the need, Cat Pumps has a selection of proven accessories to compliment your pump investment.

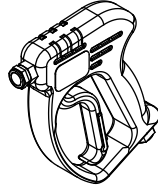


Be the best-in class and realize low life cycle costs —
Choose pumps and accessories from Cat Pumps!

Guns and Lance Assemblies

Ergonomic construction with smooth trigger action reducing operator fatigue.

- Special safety lock to prevent unintentional operation.
- Stainless Steel seat and ball assures thousands of continuous cycles.



MODEL	MAXIMUM FLOW gpm/lpm	MAXIMUM PRESSURE psi/bar	TYPE	PORTS	
				INLET	DISCHARGE
BRASS (INTERNAL BODY)					
33425	8.0/30.0	2900/200	Front Load	3/8"NPTF	1/4"NPTF
76150	8.0/30.0	3000/210	Shut-Off	3/8"NPTF	1/4"NPTF
76151	8.0/30.0	3000/210	Shut-Off Weep	3/8"NPTF	1/4"NPTF
35150	8.0/30.0	5000/345	Shut-Off	3/8"NPTF	1/4"NPTF
35151	8.0/30.0	5000/345	Shut-Off Weep	3/8"NPTF	1/4"NPTF
31260	8.0/30.0	5100/350	Pressure Compensating	3/8"NPTF	1/4"NPTF
31096	10.0/38.0	4000/275	Horizontal	3/8"NPTF	1/4"NPTF
31811	10.5/40	4500/310	Shut-Off	3/8"NPTF	1/4"NPTF
36140	10.5/40	4500/310	Shut-Off	3/8"NPTF	1/4"NPTF
36141	10.5/40	4500/310	Shut-Off Weep	3/8"NPTF	1/4"NPTF
31265	13/49	3650/250	Pressure Compensating	3/8"NPTF	1/4"NPTF
31675	15/57	15000/1034	Dump	1/2"NPTF	1/4"NPTF
39410	21/80	7250/500	Shut-Off	1/2"BSPF	1/2"BSPF
39415	32/121	1750/120	Shut-Off	1/2"BSPF	1/2"BSPF
39420	53/200	2900/200	Shut-Off	3/4"BSPF	1/2"BSPF

STAINLESS STEEL (INTERNAL BODY)

36126	10.0/38.0	4000/275	Shut-Off	3/8"NPTF	1/4"NPTF
33600	10.5/40	5800/400	Pressure Compensating	3/8"NPTF	1/4"NPTF

DUMP GUN WITH LANCE

32300	10.0/38.0	3000/210	Dump w/400 mm Lance	3/8"NPTF	1/8"NPTF
32301	10.0/38.0	3000/210	Dump w/800 mm Lance	3/8"NPTF	1/8"NPTF

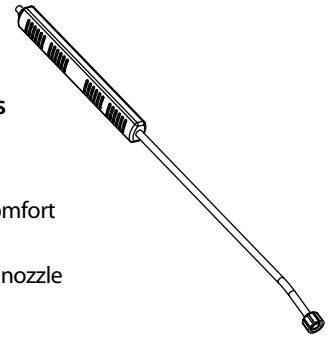
STAINLESS STEEL (INTERNAL BODY)

39411	21/80	7250/500	Shut-Off w/400mm Lance	1/2"BSPF	1/4"BSPF
39412	21/80	7250/500	Shut-Off w/800mm Lance	1/2"BSPF	1/4"BSPF

Lances

A variety of lance types, lengths and materials ready to install to any 1/4" gun.

- Ventilated insulator for operator comfort and safety.
- Durable nozzle protector reducing nozzle and property damage.



MODEL	MAXIMUM FLOW gpm/lpm	MAXIMUM PRESSURE psi/bar	LENGTH Inches/mm	PORTS	
				INLET	DISCHARGE
ZINC PLATED STRAIGHT TUBE W/HAND GRIP					
32264	10.5/40	3650/250	24/600	1/4"BSPM	1/4"BSPM
36267	10.5/40	3650/250	36/900	1/4"BSPM	1/4"BSPM
32268	10.5/40	3650/250	48/1200	1/4"BSPM	1/4"BSPM
ZINC PLATED TUBE W/VENTED GRIP AND NOZZLE PROTECTOR					
31017	10.5/40	3650/250	27/900	1/4"BSPM	1/4"NPTF
33201*	10.5/40	3650/250	35/890	1/4"BSPM	1/4"BSPF
32036	10.5/40	3650/250	36/900	1/4"NPTM	1/4"NPTF
32031	10.5/40	3650/250	36/900	1/4"BSPM	1/4"NPTF
32032	10.5/40	3650/250	48/1200	1/4"BSPM	1/4"NPTF

* Dual Lance

STAINLESS STEEL TUBE W/VENTED GRIP AND NOZZLE PROTECTOR

31219	8.0/30.0	5100/350	32/812	1/4"NPTM	1/4"NPTF
31220	8.0/30.0	5100/350	42/1065	1/4"NPTM	1/4"NPTF
32042	10.5/40	3650/250	36/900	1/4"NPTM	1/4"NPTF
33200*	10.5/40	3650/250	43/1090	1/4"BSPM	1/4"BSPF

* Dual Lance

LANCE ASSEMBLY

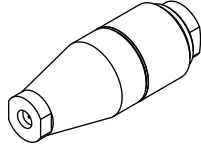
33220	8.0/30	2900/200	12/305	1/4"NPTM	Coupler
33221	8.0/30	2900/200	20/508	1/4"NPTM	Hex Adapter
32798	10.0/38	3000/210	15/380	M18	1/8"NPTF
33798	10.0/38	3000/210	39/990	M18	1/8"NPTF
32437**	21/80	7250/500	16/406	1/2"BSPM	1/4"NPTF
32438**	21/80	7250/500	32/812	1/2"BSPM	1/4"NPTF

** 304 Stainless steel

Nozzles

Easily mounts to a 1/4" Lance.

- Nozzle types available – change over, adjustable, rotating and turbo.
- Durable ceramic nozzle/insert for greater resistance to wear.



MODELS	MAXIMUM FLOW gpm/lpm	MAXIMUM PRESSURE psi/bar	INLET PORT
--------	-------------------------	-----------------------------	------------

CHANGE OVER NOZZLE WITH TWO 1/4" NPTF NOZZLE HOLDERS

32149	7/26.5	2900/200	1/4" BSPF
-------	--------	----------	-----------

ADJUSTABLE NOZZLE WITH 1/4" NPTF NOZZLE HOLDER

32151	7/26.5	3650/250	1/4" BSPF
-------	--------	----------	-----------

MODELS	NOZZLE SIZE	FLOW RANGE gpm/lpm	PRESSURE RANGE psi/bar	INLET PORT
--------	-------------	-----------------------	---------------------------	------------

TURBO-NOZZLES WITH CERAMIC NOZZLE

7265.35	3.5	1.9-3.0/7.2-11.4	1200-3000/85-210	1/4" BSPF
7265.40	4.0	2.2-3.5/8.3-13.2	1200-3000/85-210	1/4" BSPF
7265.45	4.5	2.4-3.9/9.0-14.8	1200-3000/85-210	1/4" BSPF
7265.50	5.0	2.8-4.4/10.6-16.7	1200-3000/85-210	1/4" BSPF
7265.55	5.5	3.0-4.8/11.1-18.2	1200-3000/85-210	1/4" BSPF
7265.60	6.0	3.2-5.2/12.1-19.7	1200-3000/85-210	1/4" BSPF
7265.65	6.5	3.6-5.7/13.6-21.6	1200-3000/85-210	1/4" BSPF
7270.35	3.5	2.5-3.9/9.5-14.8	2000-5000/140-345	1/4" BSPF
7270.45	4.5	3.0-5.0/11.4-18.9	2000-5000/140-345	1/4" BSPF
7270.55	5.5	3.8-6.2/14.4-23.5	2000-5000/140-345	1/4" BSPF
7270.65	6.5	4.6-7.3/17.4-27.6	2000-5000/140-345	1/4" BSPF
7270.80	8.0	5.6-8.9/21.2-33.7	2000-5000/140-345	1/4" BSPF
7270.90	9.0	6.4-10/24.2-37.9	2000-5000/140-345	1/4" BSPF

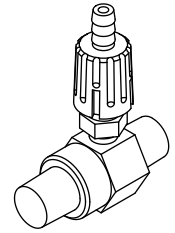
ROTATING NOZZLES WITH CERAMIC INSERT

7625.30	3.0	1.6-2.9/6.1-11.0	1200-3650/85-250	1/4" BSPF
7625.35	3.5	1.9-3.3/7.2-12.5	1200-3650/85-250	1/4" BSPF
7625.40	4.0	2.2-3.8/8.3-14.4	1200-3650/85-250	1/4" BSPF
7625.45	4.5	2.4-4.3/9.1-16.3	1200-3650/85-250	1/4" BSPF
7625.50	5.0	2.8-4.8/10.6-18.2	1200-3650/85-250	1/4" BSPF
7625.55	5.5	3.0-5.2/11.4-19.7	1200-3650/85-250	1/4" BSPF
7625.60	6.0	3.2-5.7/12.1-21.6	1200-3650/85-250	1/4" BSPF
7625.65	6.5	3.6-6.2/13.6-23.5	1200-3650/85-250	1/4" BSPF
7625.70	7.0	3.8-6.7/14.4-25.4	1200-3650/85-250	1/4" BSPF
7625.80	8.0	4.4-7.7/16.7-29.1	1200-3650/85-250	1/4" BSPF
7632.30	3.0	2.4-3.4/9.1-12.9	2600-5100/180-350	1/4" BSPF
7632.35	3.5	2.8-3.9/10.6-14.8	2600-5100/180-350	1/4" BSPF
7632.40	4.0	3.2-4.5/12.1-17.0	2600-5100/180-350	1/4" BSPF
7632.45	4.5	3.6-5.1/13.6-19.3	2600-5100/180-350	1/4" BSPF
7632.50	5.0	4.0-5.6/15.1-21.2	2600-5100/180-350	1/4" BSPF
7632.55	5.5	4.4-6.2/16.7-23.5	2600-5100/180-350	1/4" BSPF
7632.60	6.0	4.8-6.7/18.2-25.4	2600-5100/180-350	1/4" BSPF
7632.65	6.5	5.2-7.3/19.7-27.6	2600-5100/180-350	1/4" BSPF
7632.70	7.0	5.6-7.9/21.2-29.9	2600-5100/180-350	1/4" BSPF
7632.80	8.0	6.4-9.1/24.2-34.4	2600-5100/180-350	1/4" BSPF

Chemical Injectors

Provides chemical injection after pump rather than through the pump.

- Must be used with change over or adjustable nozzle to activate chemical draw with reduced downstream pressures.
- Mount directly to unloader or in-line on discharge plumbing.



MODEL	ORIFICE SIZE mm	FLOW RANGE gpm/lpm	MAXIMUM PRESSURE psi/bar	PORTS	
				INLET	DISCHARGE

BRASS - ADJUSTABLE

7182	1.8	3-4/11.4-15	3500/245	3/8" NPTM	3/8" NPTM
7192	1.8	3-4/11.4-15	3500/245	M18 X 1.0	3/8" NPTM
7183	2.1	4-5/15-19	3500/245	3/8" NPTM	3/8" NPTM
7193	2.1	4-5/15-19	3500/245	M18 X 1.0	3/8" NPTM
7184	2.3	5-6/19-23	3500/245	3/8" NPTM	3/8" NPTM
7194	2.3	5-6/19-23	3500/245	M18 X 1.0	3/8" NPTM
7224	2.3	5-6/19-23	3500/245	M22 X 1.5	3/8" NPTM

BRASS - FIXED

7231	1.8	2.0/7.6	3145/217	M18 X 1.0	3/8" NPTM
7242	2	2.9/12.9	2500/175	M18 X 1.0	3/8" NPTM
7234	2.3	2-5/7.6-19	3200/220	M22 X 1.5	3/8" NPTM
7232	2.1	3/11.4	3145/217	M18 X 1.0	3/8" NPTM
7332	2.1	3-4/11.4-15	3000/210	M18 X 1.0	3/8" NPTM
7243	2.1	3-5/11.4-19	4000/275	M22 X 1.5	3/8" NPTM
7345	2.1	3-5/11.4-19	4000/275	M18 X 1.0	3/8" NPTM
7367	2.1	3-5/11.4-19	4000/275	M20 X 1.0	3/8" NPTM

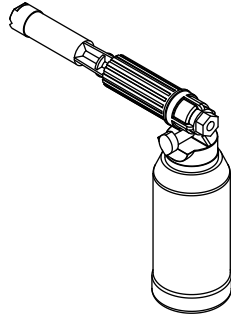
STAINLESS STEEL - ADJUSTABLE

7722	1.8	3-4/11.4-15	3500/245	3/8" NPTM	3/8" NPTM
7723	2.1	4-5/15-19	3500/245	3/8" NPTM	3/8" NPTM
7724	2.3	5-6/19-23	3500/245	3/8" NPTM	3/8" NPTM

Foamers

Applicator device with lance and chemical bottle that can be fitted to a standard 1/4" gun.

- Convenient chemical injector adjustment knob or handle for adjusting chemical draw.
- Stainless steel orifice and FPM o-rings for chemical compatibility.



MODELS	MAXIMUM FLOW gpm/lpm	MAXIMUM PRESSURE psi/bar	INLET PORT
FOAMER WITHOUT BOTTLE			
32017	6.5/25	2900/200	1/4" BSPF
FOAMER WITH 1 LITER BOTTLE			
39234	6.5/25	2900/200	1/4" BSPF
FOAMER WITH 2 LITER BOTTLE			
39196	6.5/25	2900/200	1/4" BSPF

Total Life Cycle Cost:

More and more users of pumping systems are making purchase decisions based on a systems Total Life Cycle Cost and not based on the systems initial cost. Pump, installation, energy use, downtime, operating expense and maintenance are all factors considered to determine a systems overall life cycle cost. The objective of life cycle costing is to evaluate and optimize product life costs yet satisfying the performance, safety, reliability, and maintainability of the system.

Cat Pumps is keenly aware of minimizing life cycle costs in both its pump and accessory component designs. A pumping systems ongoing performance is as good as its weakest component, that's why we rigorously test and evaluate our accessory components. Our mission is to provide the best system value by providing pumps and accessories that exceed your performance and reliability expectations so you can realize the lowest possible life cycle cost.



CAT PUMPS

1681 - 94TH LANE N.E. MINNEAPOLIS, MN 55449-4324
 PHONE (763) 780-5440 — FAX (763) 780-2958
 e-mail: techsupport@catpumps.com
 www.catpumps.com