



## Square Insulated Dual Lance

**S.S. Model**                    **33200**  
**Zinc Model**                    **33201**

### SPECIFICATIONS

	U.S. Measure	Metric Measure
<b>MODEL 33200</b>		
Maximum Flow .....	10.5 GPM	(40 L/M)
Maximum Pressure .....	3650 PSI	(250 BAR)
Maximum Temperature .....	320°F	(160°C)
Inlet Fitting .....	1/4" BSPF	(1/4" BSPF)
Nozzle Fitting (2) .....	1/4" NPTF	(1/4" NPTF)
Weight .....	42.3 oz.	(1.20 kg)
Overall Length .....	43"	(1090 mm)

<b>MODEL 33201</b>		
Maximum Flow .....	10.5 GPM	(40 L/M)
Maximum Pressure .....	3650 PSI	(250 BAR)
Maximum Temperature .....	320°F	(160°C)
Inlet Fitting .....	1/4" BSPF	(1/4" BSPF)
Nozzle Fitting (2) .....	1/4" NPTF	(1/4" NPTF)
Weight .....	38.1 oz.	(1.08 kg)
Overall Length .....	35"	(890 mm)

Lance is stamped with a European safety pressure. Use only at above specifications to assure proper lance life and performance.

### FEATURES

- Ventilated square nylon insulator for operator comfort and safety.
- Front insulated adjustment handle for low to high pressure nozzle selection.
- Optional length for specialized cleaning.
- Ideal for use with adjustable chemical injector.

**SELECTION:** Select a lance that matches the system flow and pressure to assure safety during operation. Select standard Zinc plated or Stainless Steel for longer life.

**INSTALLATION:** Install these single lances to any 1/4" gun. Use PTFE thread tape or pipe thread sealant to assure a leak proof fit.

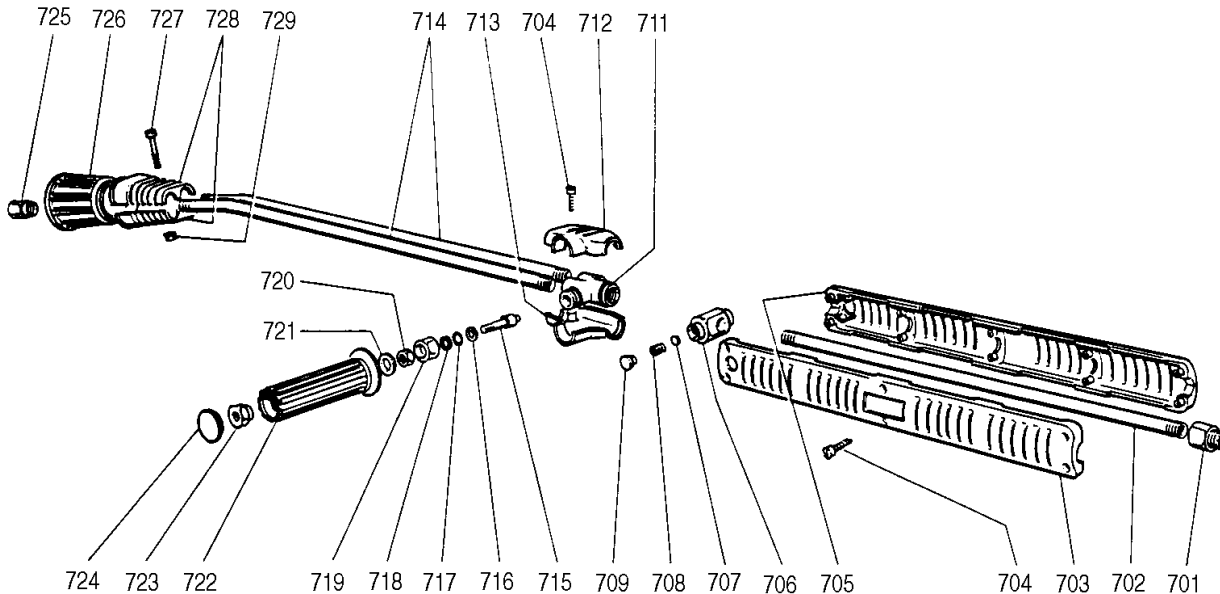
**OPERATION:** Flow goes through the lance as soon as the trigger on the gun is squeezed.

#### **⚠ WARNING**

**Severe injury can occur with high pressure spray.  
 Do not allow spray to contact any part of body.**

*“Customer confidence is our greatest asset”*

## EXPLODED VIEW



## PARTS LIST

ITEM	P/N	MATL	DESCRIPTION	QTY	ITEM	P/N	MATL	DESCRIPTION	QTY
701	32868	BB	Adapter (1/4" BSPF)	1	718	32873	PTFE	Back-Up-Ring	1
702	—	SS	Tube (1/4")	1	719	—	BB	Nut (M18)	1
	—	ZP	Tube (1/4")	1	720	81109	STZP	Nut (M8 x 1.25))	1
703	—	NY	Cover, Lance - Left	1		126521	STCP R	Nut (M8 x 1.25))	1
704	—	STZP	Screw, Self-Threading (M3.5 x 18)	7	721	—	STZP	Washer (M18)	1
705	—	NY	Cover, Lance - Right	1	722	—	NY	Handle	1
706	—	BB	Frame, Cover	1	723	—	BB	Plug, Handle	1
707	32869	CU	Plug	1	724	—	NY	Plug, Grip	1
708	32870	STZP	Screw, Cover (M10)	1	725	32053	STZP	Holder, Nozzle (1/4" NPTF)	2
709	32871	NY	Plug, Cover	1	726	—	RBR	Guard, Nozzle	1
711	—	BB	Housing	1	727	—	STL	Screw (M4 x 20)	1
712	—	NY	Insulator, Lance - Upper	1	728	—	NY	Protector Extension	1
713	—	NY	Insulator, Lance - Lower	1	729	—	STL	Nut (M4)	1
714	—	ZP	Tube (1/4")	2	735	32864	NY	Guard, Nozzle Assy (Incls: 726-729)	1
	—	SS	Tube (1/4")	2	736	32865	—	Insulator, Assy (Incls: 703-706)	1
715	33694	S	Valve, Needle	1	737	32867	—	Cover, Housing Assy (Incls: 704, 712, 713)	1
716	—	STZP	Spacer, Valve	1	738	32866	NY	Handle, Assy (Incls: 715-724)	1
717	—	FPM	O-Ring	1	740	39012	NBR	Kit, O-Ring (Incls: 716, 717, 718)	1

*Italics are optional items. R Components comply with RoHS Directive.*

Material Codes (Not Part of Part No.): BB=Brass CU=Copper FPM=Fluorocarbon

NBR=Medium Nitrile (Buna-N) NY=Nylon PTFE=Pure Polytetrafluoroethylene RBR=Rubber

S=304SS SS=316SS STL=Steel STCP=Steel/Chrome Plated STZP=Steel/Zinc Plated ZP=Zinc Plated

### TROUBLESHOOTING

- |   |  |
|---|--|
| <p>Leaking at gun nozzle connection</p> <p>Leaking at nozzle</p> <p>Broken nozzle protector</p> | <ul style="list-style-type: none"> <li>• Check fitting for proper sealant and reconnect to gun.</li> <li>• Check for proper sealant at lance and nozzle protector connection and reconnect.</li> <li>• Replace to assure nozzle life.</li> </ul> |
|---|--|

### WARRANTY

#### 90 Day Warranty

Refer to complete CAT PUMPS Warranty for further information.

Products described hereon are covered by one or more of the following U.S. patents 3558244, 3652188, 3809508, 3920356, 3930756 and 5035580

### World Headquarters

#### CAT PUMPS

1681 - 94th Lane N.E. Minneapolis, MN 55449-4324

Phone (763) 780-5440 — FAX (763) 780-2958

e-mail: techsupport@catpumps.com

www.catpumps.com

### International Inquiries

FAX (763) 785-4329

e-mail: intl@catpumps.com



*The Pumps with Nine Lives*

### CAT PUMPS (U.K.) LTD.

1 Fleet Business Park, Sandy Lane, Church Crookham

FLEET, Hampshire, GU52 8BF, England

Phone Fleet 44 1252-622031 — Fax 44 1252-626655

e-mail: sales@catpumps.co.uk

### N.V. CAT PUMPS INTERNATIONAL S.A.

Heiveldkens 6A, B-2550 Kontich, Belgium

Phone 32-3-450.71.50 — Fax 32-3-450.71.51

e-mail: cpi@catpumps.be www.catpumps.be

### CAT PUMPS DEUTSCHLAND GmbH

Buchwiese 2, D-65510 Idstein, Germany

Phone 49 6126-9303 0 — Fax 49 6126-9303 33

e-mail: catpumps@t-online.de www.catpumps.de