

38 Frame Block-Style Stainless Steel Plunger Pump

Standard Models 3801, 3811

Flushed Models 3801K, 3811K

FEATURES

Superior Design

- Triplex plunger design provides smoother liquid flow.
- Oil bath crankcase assures optimum lubrication.
- Close tolerance concentricity of the ceramic plunger maximizes seal life.
- **Standard Models:** Lo-Pressure Seals and V-Packings are completely lubricated and cooled by the liquid being pumped.
- **K Models:** Special Flushed Inlet Manifold permits flush for added cooling with high temperature liquids and lubrication with low lubricity liquids.

Quality Materials

- Precision design 316 stainless steel valves and seats are hardened and polished for ultimate seating and extended valve life.
- 316 SSL block-style manifolds for strength and corrosion resistance.
- Special concentric, high-density, polished, solid ceramic plungers provide a true wear surface and extended seal life.
- Specially formulated, CAT PUMP exclusive, V-Packings offers unmatched performance and seal life.
- Die cast aluminum crankcase provides high strength, minimum weight and precision tolerance control.
- Optional Cast Iron crankcase for hazardous environments.
- Chrome-moly crankshaft gives unmatched strength and surface hardness.
- Oversized crankshaft bearings with greater capacity means longer bearing life.

Easy Maintenance

- Wet-end is easily serviced without entering crankcase, requiring less time and effort.
- Inlet and discharge valve assemblies interchange for easier maintenance without disturbing piping.
- Preset packings mean no packing gland adjustment is necessary, reducing maintenance costs.

⚠ WARNING

All systems require both a primary pressure regulating device (i.e., regulator, unloader) and a secondary pressure safety relief device (i.e., pop-off valve, safety valve). Failure to install such relief devices could result in personal injury or damage to the pump or to system components. CAT PUMPS does not assume any liability or responsibility for the operation of a customer's high pressure system.

SPECIFICATIONS

U.S. Measure

Metric Measure

MODEL 3801, 3801K

Flow9.0 GPM (34 L/M)
 Pressure Range100 to 5000 PSI (7 to 345 BAR)
 RPM824 RPM (824 RPM)
 Bore0.787" (20 mm)

MODEL 3811, 3811K

Flow14 GPM (53 L/M)
 Pressure Range100 to 3000 PSI (7 to 210 BAR)
 RPM800 RPM (800 RPM)
 Bore0.984" (25 mm)

COMMON SPECIFICATIONS

Inlet Pressure*Flooded to 70 PSI (Flooded to 4.9 BAR)
 Stroke1.890" (48 mm)
 Crankcase Capacity4.2 Qts. (4 L)
 Maximum Liquid Temperature160°F (71°C)
 Above 130°F call CAT PUMPS for inlet conditions and elastomer recommendations.
 Inlet Ports (2)1-1/2" NPTF (1-1/2" NPTF)
 Flushing Ports (2)*1/2" NPTF (1/2" NPTF)
 Discharge Ports (2)1" NPTF (1" NPTF)
 Pulley MountingEither Side (Either Side)
 Shaft Diameter1.378" (35 mm)
 Weight170 lbs. (77 kg)
 Dimensions24.72 x 18.11 x 9.37" (628 x 460 x 238 mm)

* K Models: Special Flushed Inlet Manifold permits external flush for added cooling with high temperature liquids and lubrication with low lubricity liquids.

ELECTRIC HORSEPOWER REQUIREMENTS

| MODEL | FLOW | | PRESSURE | | | | | | | RPM |
|--------------|----------|-----|----------|----------|----------|----------|----------|----------|----------|-----|
| | | | PSI 2000 | PSI 2500 | PSI 3000 | PSI 3500 | PSI 4000 | PSI 4500 | PSI 5000 | |
| | U.S. GPM | L/M | BAR 140 | BAR 175 | BAR 210 | BAR 245 | BAR 275 | BAR 310 | BAR 345 | |
| 3801 | 9 | 34 | N/A | N/A | N/A | 21.6 | 24.7 | 27.8 | 30.9 | 824 |
| 3801K | 8 | 30 | N/A | N/A | N/A | 19.2 | 22.0 | 24.7 | 27.5 | 732 |
| | 7 | 27 | N/A | N/A | N/A | 16.8 | 19.2 | 21.6 | 24.0 | 640 |
| 3811 | 14 | 53 | 19.2 | 24.0 | 28.8 | N/A | N/A | N/A | N/A | 800 |
| 3811K | 12 | 45 | 16.5 | 20.6 | 24.7 | N/A | N/A | N/A | N/A | 685 |
| | 10 | 38 | 13.7 | 17.2 | 20.6 | N/A | N/A | N/A | N/A | 571 |

| | | | |
|--------------------------------------|--------------------------|---|-------------------------|
| DETERMINING THE PUMP R.P.M. | <u>Rated G.P.M.</u> | = | <u>"Desired" G.P.M.</u> |
| | Rated R.P.M. | | "Desired" R.P.M. |
| DETERMINING THE REQUIRED H.P. | <u>GPM x PSI</u> | = | Electric Brake |
| | 1460 | | H. P. Required |
| DETERMINING MOTOR PULLEY SIZE | <u>Motor Pulley O.D.</u> | = | <u>Pump Pulley O.D.</u> |
| | Pump R.P.M. | | Motor R.P.M. |

See complete Drive Packages [Incls: Pulleys, Belts, Hubs, Key] Tech Bulletin 003.
 Refer to pump **Service Manual** for repair procedure, additional technical information and **pump warranty**.

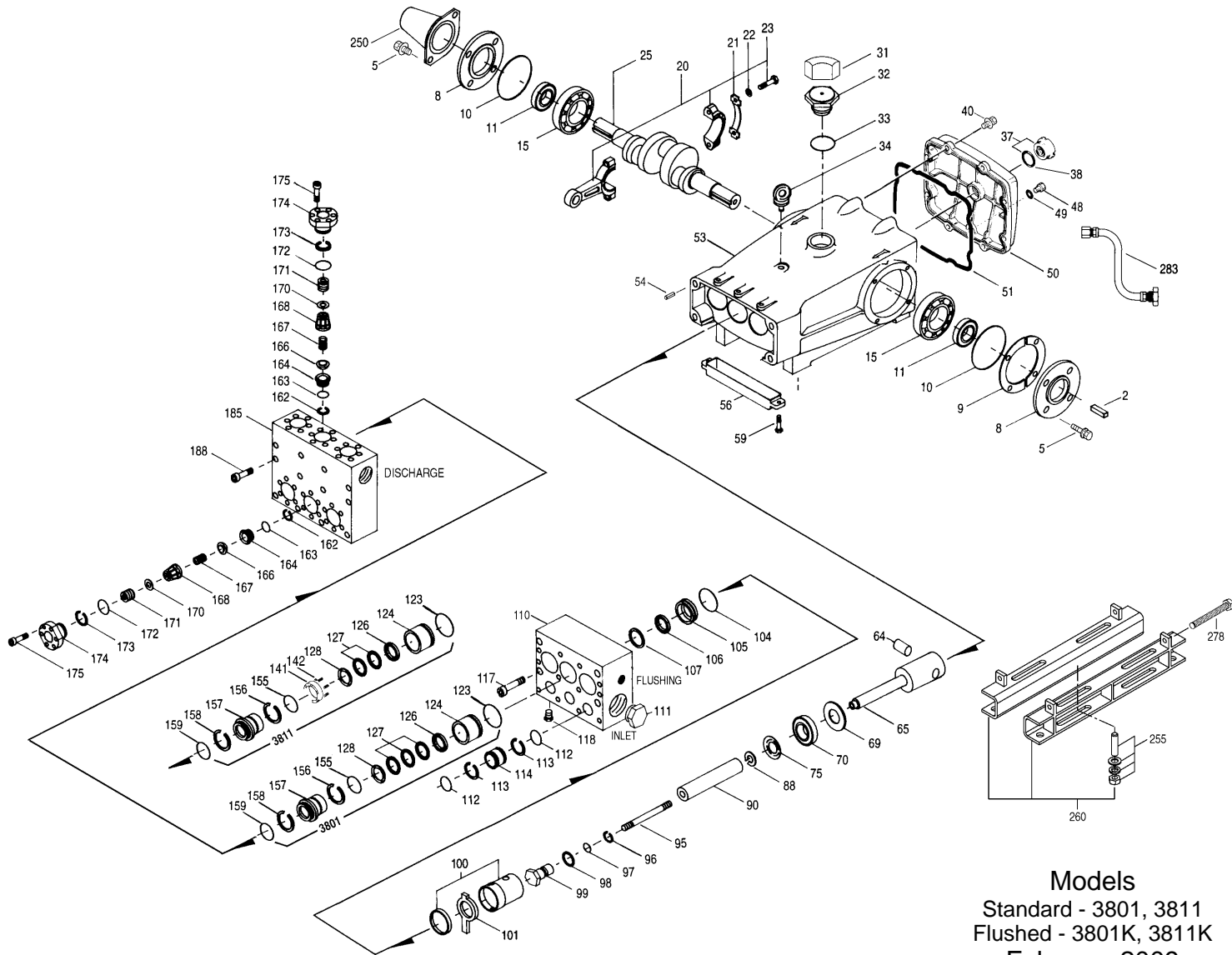
"Customer confidence is our greatest asset"

PARTS LIST

| ITEM | PART NUMBER | | PART NUMBER | | PART NUMBER | | PART NUMBER | | DESCRIPTION | QTY |
|------|-------------|--------|-------------|--------|-------------|--------|-------------|--------|--|-----|
| | 3801 | MATL | 3801K | MATL | 3811 | MATL | 3811K | MATL | | |
| 2 | 34021 | STL | 34021 | STL | 34021 | STL | 34021 | STL | Key (M10x8x70) | 1 |
| 5 | 125753 | S | 125753 | S | 125753 | S | 125753 | S | Screw, HH Sems (M8x25) | 8 |
| 8 | 44542 | AL | 44542 | AL | 44542 | AL | 44542 | AL | Cover, Bearing | 2 |
| 9 | 815279 | FBR | 815279 | FBR | 815279 | FBR | 815279 | FBR | Shim, Split 2-Pc | 0-2 |
| 10 | 12398 | NBR | 12398 | NBR | 12398 | NBR | 12398 | NBR | O-Ring, Bearing Cover - 70D | 2 |
| 11 | 13296 | NBR | 13296 | NBR | 13296 | NBR | 13296 | NBR | Seal, Oil, Crankshaft | 2 |
| 15 | 29326 | STL | 29326 | STL | 29326 | STL | 29326 | STL | Bearing, Roller | 2 |
| 20 | 121467 | TNM | 121467 | TNM | 121467 | TNM | 121467 | TNM | Rod, Connecting Assy (Incls: 21, 22, 23) [10/00] | 3 |
| 21 | 126749 | STCP R | 126749 | STCP R | 126749 | STCP R | 126749 | STCP R | Washer, Locking (M10) | 3 |
| 22 | 126574 | STCP R | 126574 | STCP R | 126574 | STCP R | 126574 | STCP R | Washer, Flat (M10) | 6 |
| 23 | 122045 | STZP | 122045 | STZP | 122045 | STZP | 122045 | STZP | Screw, HH (M10x55) | 6 |
| 25 | 29325 | FCM | 29325 | FCM | 29325 | FCM | 29325 | FCM | Crankshaft, Dual End (M48) | 1 |
| 31 | 828710 | — | 828710 | — | 828710 | — | 828710 | — | Protector, Oil Cap w/Foam Gasket | 1 |
| 32 | 43211 | ABS | 43211 | ABS | 43211 | ABS | 43211 | ABS | Cap, Oil Filler | 1 |
| 33 | 14177 | NBR | 14177 | NBR | 14177 | NBR | 14177 | NBR | O-Ring, Oil Filler Cap - 70D | 1 |
| 34 | 126743 | STCP R | 126743 | STCP R | 126743 | STCP R | 126743 | STCP R | Bolt, Eye (M12x1.75) (For Lifting Pump Only) | 1 |
| 37 | 92241 | — | 92241 | — | 92241 | — | 92241 | — | Gauge, Oil, Bubble w/Gasket - 80D | 1 |
| 38 | 44428 | NBR | 44428 | NBR | 44428 | NBR | 44428 | NBR | Gasket, Flat, Oil Gauge - 80D | 1 |
| 40 | 125753 | S | 125753 | S | 125753 | S | 125753 | S | Screw, HH Sems (M8x25) | 8 |
| 48 | 25625 | STCP | 25625 | STCP | 25625 | STCP | 25625 | STCP | Plug, Drain (1/4"x19BSP) | 1 |
| 49 | 23170 | NBR | 23170 | NBR | 23170 | NBR | 23170 | NBR | O-Ring, Drain Plug - 70D | 1 |
| 50 | 45936 | AL | 45936 | AL | 45936 | AL | 45936 | AL | Cover, Rear | 1 |
| 51 | 16612 | NBR | 16612 | NBR | 16612 | NBR | 16612 | NBR | O-Ring, Cover - 70D | 1 |
| 53 | 44487 | AL | 44487 | AL | 44487 | AL | 44487 | AL | Crankcase Assy (Incls: 34, 54) | 1 |
| 54 | 27488 | S | 27488 | S | 27488 | S | 27488 | S | Pin, Guide | 2 |
| 56 | 27790 | POP | 27790 | POP | 27790 | POP | 27790 | POP | Pan, Oil | 1 |
| 59 | 92538 | S | 92538 | S | 92538 | S | 92538 | S | Screw, HHC Sems (M6x16) | 2 |
| 64 | 43864 | CM | 43864 | CM | 43864 | CM | 43864 | CM | Pin, Crosshead | 3 |
| 65 | 45118 | SSZZ | 45118 | SSZZ | 45118 | SSZZ | 45118 | SSZZ | Rod, Plunger | 3 |
| 69 | 126587 | STCP R | 126587 | STCP R | 126587 | STCP R | 126587 | STCP R | Washer, Oil Seal | 3 |
| 70 | 100488 | NBRS | 100488 | NBRS | 100488 | NBRS | 100488 | NBRS | Seal, Oil, Crankcase | 3 |
| | 44739 | FPM | 44739 | FPM | 44739 | FPM | 44739 | FPM | Seal, Oil, Crankcase | 3 |
| 75 | 43506 | S | 43506 | S | 43865 | S | 43865 | S | Slinger, Barrier | 3 |
| 88 | 45675 | S | 45675 | S | 45676 | S | 45676 | S | Washer, Keyhole | 3 |
| 90 | 43945 | CC | 43945 | CC | 43866 | CC | 43866 | CC | Plunger (M20x145) (M25x145) | 3 |
| 95 | 89779 | S | 89779 | S | 89778 | SS | 89778 | SS | Stud, Plunger Retainer (M7x123) (M10x135) | 3 |
| 96 | 20184 | PTFE | 20184 | PTFE | 20189 | PTFE | 20189 | PTFE | Back-up-Ring, Plunger Retainer | 3 |
| 97 | 14190 | NBR | 14190 | NBR | 11345 | NBR | 11345 | NBR | O-Ring, Plunger Retainer - 70D | 3 |
| | 14161 | FPM | 14161 | FPM | 11375 | FPM | 11375 | FPM | O-Ring, Plunger Retainer | 3 |
| | 48239 | EPDM | 48239 | EPDM | 701490 | EPDM | 701490 | EPDM | O-Ring, Plunger Retainer | 3 |
| 98 | 44069 | SSL | 44069 | SSL | 44085 | SS | 44085 | SS | Gasket, Plunger Retainer | 3 |
| 99 | 44068 | SSL | 44068 | SSL | 44084 | SS | 44084 | SS | Retainer, Plunger (M7) (M10) | 3 |
| 100 | 814279 | PVDF | 814279 | PVDF | 814279 | PVDF | 814279 | PVDF | Retainer, Seal, 2-Pc | 3 |
| 101 | 44095 | — | 44095 | — | 44096 | — | 44096 | — | Wick | 3 |
| 104 | 43875 | NBR | 43875 | NBR | 43875 | NBR | 43875 | NBR | O-Ring, Inlet Adapter - 70D | 3 |
| | 44826 | FPM | 44826 | FPM | 44826 | FPM | 44826 | FPM | O-Ring, Inlet Adapter - 70D | 3 |
| | 701656 | EPDM | 701656 | EPDM | 701656 | EPDM | 701656 | EPDM | O-Ring, Inlet Adapter - 70D | 3 |
| 105 | 701344 | SS | 701344 | SS | 701323 | SS | 701323 | SS | Adapter, Inlet | 3 |
| 106 | 44071 | NBR | 44071 | NBR | 44086 | NBR | 44086 | NBR | Seal, LPS w/SS-Spg | 3 |
| | 44381 | FPM | 44381 | FPM | 45846 | FPM | 45846 | FPM | Seal, LPS w/SS-Spg | 3 |
| | 701974 | SFTB* | 701974 | SFTB* | 701944 | SFTA* | 701944 | SFTA* | Seal, LPS w/SS-Spg | 3 |
| 107 | 44074 | SS | 44074 | SS | 44089 | SS | 44089 | SS | Washer, LPS | 3 |
| 110 | 701286 | SSL | 701286 | SSL | 701286 | SSL | 701286 | SSL | Manifold, Inlet, Block-Style | 1 |
| | — | — | 701408 | SSL | — | — | 701408 | SSL | Manifold, Inlet, Block-Style, Flushed | 1 |
| 111 | 701116 | SS | 701116 | SS | 701116 | SS | 701116 | SS | Plug, Inlet (1-1/2" NPT) | 1 |
| 112 | 701794 | NBR | 701794 | NBR | 701794 | NBR | 701794 | NBR | O-Ring, Inlet Spacer - 70D | 6 |
| | 701318 | FPM | 701318 | FPM | 701318 | FPM | 701318 | FPM | O-Ring, Inlet Spacer - 75D | 6 |
| | 701495 | EPDM | 701495 | EPDM | 701495 | EPDM | 701495 | EPDM | O-Ring, Inlet Spacer - 70D | 6 |
| 113 | 701319 | PTFE | 701319 | PTFE | 701319 | PTFE | 701319 | PTFE | Back-up-Ring, Inlet Spacer | 6 |
| 114 | 701317 | SS | 701317 | SS | 701317 | SS | 701317 | SS | Spacer, Inlet | 3 |
| 117 | 701252 | SS | 701252 | SS | 701252 | SS | 701252 | SS | Screw, HSH (M14x100) | 4 |
| 118 | 701077 | SS | 701077 | SS | 701077 | SS | 701077 | SS | Plug (1/4" NPT) | 3 |
| 123 | 12391 | NBR | 12391 | NBR | 12391 | NBR | 12391 | NBR | O-Ring, V-Packing Cylinder - 70D | 3 |
| | 13266 | FPM | 13266 | FPM | 13266 | FPM | 13266 | FPM | O-Ring, V-Packing Cylinder - 70D | 3 |
| | 701657 | EPDM | 701657 | EPDM | 701657 | EPDM | 701657 | EPDM | O-Ring, V-Packing Cylinder - 70D | 3 |
| 124 | 701336 | SSL | 701336 | SSL | 701448 | SSL | 701448 | SSL | Cylinder, V-Packing | 3 |
| 126 | 44164 | SS | 44164 | SS | 701325 | SS | 701325 | SS | Adapter, Female | 3 |
| 127 | 44607 | STG* | 44607 | STG* | 44610 | STG* | 44610 | STG* | V-Packing | 9-6 |
| 128 | 44165 | SS | 44165 | SS | 701326 | SS | 701326 | SS | Adapter, Male | 3 |
| 141 | — | — | — | — | 45113 | SS | 45113 | SS | Spring, Coil | 15 |
| 142 | — | — | — | — | 701447 | SS | 701447 | SS | Spacer w/Coil Springs | 3 |
| 155 | 17622 | NBR | 17622 | NBR | 11379 | NBR | 11379 | NBR | O-Ring, V-Packing Spacer | 3 |
| | 11719 | FPM | 11719 | FPM | 14183 | FPM | 14183 | FPM | O-Ring, V-Packing Spacer | 3 |
| | 701654 | EPDM | 701654 | EPDM | 701491 | EPDM | 701491 | EPDM | O-Ring, V-Packing Spacer | 3 |
| 156 | 28675 | PTFE | 28675 | PTFE | 28243 | PTFE | 28243 | PTFE | Back-up-Ring, V-Packing Spacer | 3 |
| 157 | 701352 | SS | 701352 | SS | 701385 | SS | 701385 | SS | Spacer, V-Packing | 3 |
| 158 | 28675 | PTFE | 28675 | PTFE | 28243 | PTFE | 28243 | PTFE | Back-up-Ring, V-Packing Spacer | 3 |
| 159 | 17622 | NBR | 17622 | NBR | 11379 | NBR | 11379 | NBR | O-Ring, V-Packing Spacer | 3 |
| | 11719 | FPM | 11719 | FPM | 14183 | FPM | 14183 | FPM | O-Ring, V-Packing Spacer | 3 |
| | 701654 | EPDM | 701654 | EPDM | 701491 | EPDM | 701491 | EPDM | O-Ring, V-Packing Spacer | 3 |
| 162 | 21985 | PTFE | 21985 | PTFE | 21985 | PTFE | 21985 | PTFE | Back-up-Ring, Seat | 6 |
| 163 | 26089 | NBR | 26089 | NBR | 26089 | NBR | 26089 | NBR | O-Ring, Seat - 80D | 6 |
| | 11377 | FPM | 11377 | FPM | 11377 | FPM | 11377 | FPM | O-Ring, Seat - 80D | 6 |
| | 46647 | EPDM | 46647 | EPDM | 46647 | EPDM | 46647 | EPDM | O-Ring, Seat - 80D | 6 |
| 164 | 44080 | SS | 44080 | SS | 44080 | SS | 44080 | SS | Seat | 6 |
| 166 | 44081 | SS | 44081 | SS | 44081 | SS | 44081 | SS | Valve | 6 |
| 167 | 44082 | SS | 44082 | SS | 44082 | SS | 44082 | SS | Spring | 6 |
| 168 | 44735 | PVDF | 44735 | PVDF | 44735 | PVDF | 44735 | PVDF | Retainer, Spring | 6 |
| 170 | 44794 | SS | 44794 | SS | 44794 | SS | 44794 | SS | Washer, Spring Retainer | 6 |
| 171 | 44793 | SS | 44793 | SS | 44793 | SS | 44793 | SS | Spring, Coil, Valve Plug | 6 |
| 172 | 15853 | NBR | 15853 | NBR | 15853 | NBR | 15853 | NBR | O-Ring, Valve Plug - 70D | 6 |
| | 11720 | FPM | 11720 | FPM | 11720 | FPM | 11720 | FPM | O-Ring, Valve Plug - 70D | 6 |
| | 701481 | EPDM | 701481 | EPDM | 701481 | EPDM | 701481 | EPDM | O-Ring, Valve Plug - 70D | 6 |
| 173 | 20224 | PTFE | 20224 | PTFE | 20224 | PTFE | 20224 | PTFE | Back-up-Ring, Valve Plug | 6 |
| 174 | 701260 | SS | 701260 | SS | 701260 | SS | 701260 | SS | Plug, Valve | 6 |

Replace as a set

EXPLODED VIEW



Models
 Standard - 3801, 3811
 Flushed - 3801K, 3811K
 February 2009

| | 3801 | MATL | 3801K | MATL | 3811 | MATL | 3811K | MATL | | |
|-----|---------------|--------------|---------------|--------------|---------------|--------------|---------------|--------------|--|----|
| 175 | 87951 | S | 87951 | S | 87951 | S | 87951 | S | Screw, HSH, Valve Plug (M10x30) | 36 |
| 185 | 701314 | SSL | 701314 | SSL | 701785 | SSL | 701785 | SSL | Manifold, Discharge, Block-Style | 1 |
| 188 | 701279 | S | 701279 | S | 701279 | S | 701279 | S | Screw, HSH, (M12x100) | 12 |
| 196 | 701342 | SS | 701342 | SS | 701342 | SS | 701342 | SS | Plug, Discharge (1" NPT) Not Shown | 1 |
| 250 | 44516 | NY | 44516 | NY | 44516 | NY | 44516 | NY | Protector, Shaft w/2 Screws, Lockwashers and Washers (Incl w/Pump) | 1 |
| 255 | 34039 | S | 34039 | S | 34039 | S | 34039 | S | Assy, Direct Mount | 1 |
| 260 | 92674 | STZP | 92674 | STZP | 92674 | STZP | 92674 | STZP | Mount, Rail, Assy (Incls: 34018) | 1 |
| 275 | 990013 | STL | 990013 | STL | 990013 | STL | 990013 | STL | Hub, "B" (35mm w/Keyway) [See Drive Packages Tech 003] | 1 |
| 278 | 80540 | ZP | 80540 | ZP | 80540 | ZP | 80540 | ZP | Screw, HH (M12x100) (Rail Adjusting Screw) | 1 |
| 279 | 30278 | STZP | 30278 | STZP | 30278 | STZP | 30278 | STZP | Oiler (1 oz.) Not Shown | 3 |
| 281 | 30967 | — | 30967 | — | 30967 | — | 30967 | — | Glass, Oiler Not Shown | 3 |
| 282 | 10069 | NBR | 10069 | NBR | 10069 | NBR | 10069 | NBR | Gasket, Oiler Not Shown | 3 |
| 283 | 34314 | — | 34314 | — | 34314 | — | 34314 | — | Kit, Oil Drain (3/8" x 48") | 1 |
| 290 | 6124 | — | 6124 | — | 6124 | — | 6124 | — | Gasket, Liquid (3 oz.) | 1 |
| 299 | 901388 | SSL | 901389 | SSL | 901370 | SSL | 901371 | SSL | Head, Complete, Block-Style | 1 |
| 300 | 701786 | NBR* | 701786 | NBR* | 701793 | NBR* | 701793 | NBR* | Kit, Seal (Incls: 97, 104, 106, 112, 113, 123, 127, 155, 156, 158, 159) | 1 |
| | 33251 | FPM* | 33251 | FPM* | 701802 | FPM* | 701802 | FPM* | Kit, Seal (Incls: 97, 104, 106, 112, 113, 123, 127, 155, 156, 158, 159) | 1 |
| | 33141 | EPDM* | 33141 | EPDM* | 701803 | EPDM* | 701803 | EPDM* | Kit, Seal (Incls: 97, 104, 106, 112, 113, 123, 127, 155, 156, 158, 159) | 1 |
| 310 | 34151 | NBR | 34151 | NBR | 34151 | NBR | 34151 | NBR | Kit, Valve, Preassembled (Incls: 162, 163, 164, 166, 167, 168, 170, 172, 173) | 2 |
| | 701798 | FPM | 701798 | FPM | 701798 | FPM | 701798 | FPM | Kit, Valve, Preassembled (Incls: 162, 163, 164, 166, 167, 168, 170, 172, 173) | 2 |
| | 701799 | EPDM | 701799 | EPDM | 701799 | EPDM | 701799 | EPDM | Kit, Valve, Preassembled (Incls: 162, 163, 164, 166, 167, 168, 170, 172, 173) | 2 |
| | 819000 | F | 819000 | F | 819000 | F | 819000 | F | Assembly, Crankcase, Cast Iron Conversion | 1 |
| 370 | — | — | 990663 | — | — | — | 990663 | — | Assembly, Flushing, 5 gal, 115V, 1.1 Amp, 1/2"NPT | 1 |
| 390 | 711500 | SS | 711500 | SS | 711500 | SS | 711500 | SS | C.A.T. (Inlet pressure stabilizer for RO and boosted inlet applications) | 1 |
| 391 | 711506 | SS | 711506 | SS | 711506 | SS | 711506 | SS | Adapter (2 per C.A.T.) (See Data Sheet for complete selection) | 1 |
| 392 | 701818 | SS | 701818 | SS | 701818 | SS | 701818 | SS | Elbow Assy used with Adapter Assy 711506 | 1 |
| — | 6100 | — | 6100 | — | 6100 | — | 6100 | — | Oil, Case (12-21 oz. Bottles) ISO-68 Hydraulic (Fill to specified crankcase capacity prior to start-up) | 1 |

Bold print part numbers are unique to a particular pump model. Italics are optional items. [] Date of latest production change. ♦ Silicone oil/grease required.

R Components comply with RoHS Directive. * Review individual parts in each kit for material identification.

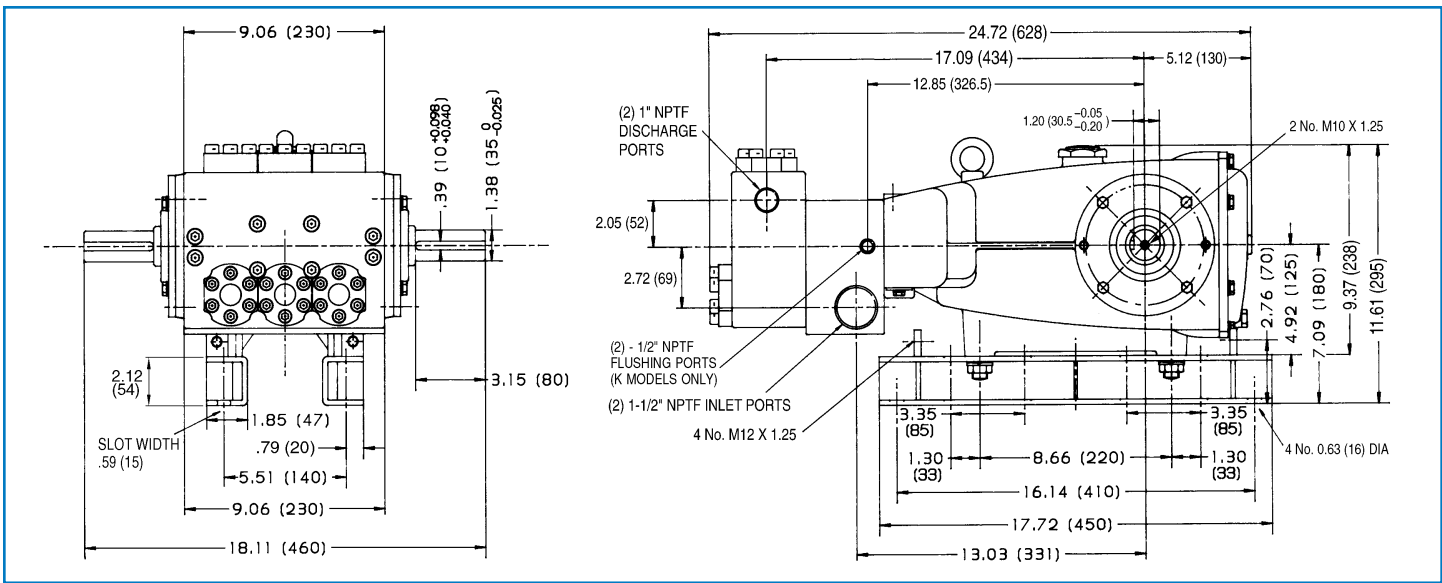
See Tech Bulletins 002, 003, 024, 035, 036, 041, 043, 053, 074, 077, 083, 095 and 105 for additional information. **C.A.T. highly recommended for pressurized inlet, R.O. and industrial applications.**

MATERIAL CODES (Not Part of Part Number): ABS=ABS Plastic AL=Aluminum CC=Ceramic CM=Chrome-Moly EPDM=Ethylene Propylene Diene Monomer F=Cast Iron FBR=Fiber

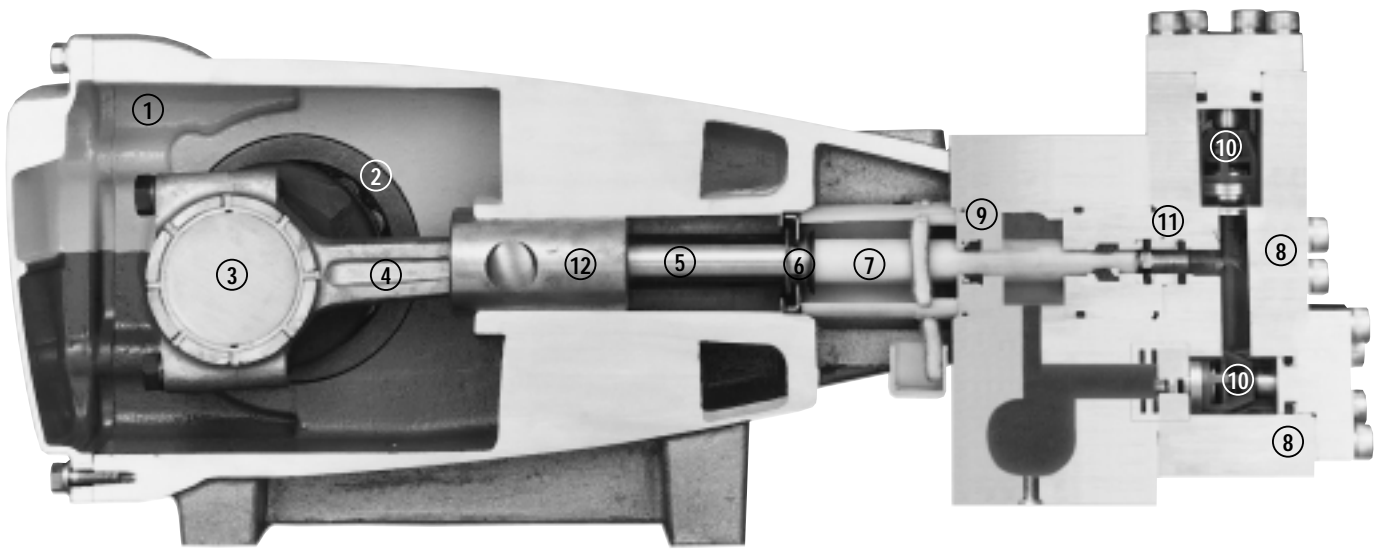
FCM=Forged Chrome-moly FPM=Fluorocarbon NBR=Medium Nitrile (Buna-N) NBRs=Buna, Silicone Free NY=Nylon POP=Polypropylene PTFE=Pure Polytetrafluoroethylene

PVDF=Polyvinylidene Fluoride S=304SS SFTA=Special Blend PTFE Tan SFTB=Special Blend PTFE Black SS=316SS SSL=316SS/Low Carbon SSZZ=316SS/Zamak

STCP=Steel/Chrome Plated STG=Special Blend PTFE White STL=Steel STZP=Steel/Zinc Plated TNM=Special High Strength ZP=Zinc Plated



Models 3801, 3801K, 3811, 3811K



- 1 Die cast aluminum **crankcase** means high strength, lightweight, and excellent tolerance control.
- 2 Oversized crankshaft **bearings** provide extended bearing life and pump performance.
- 3 Chrome-moly **crankshaft** provides unmatched strength and surface hardness for long life.
- 4 Matched oversized high strength TNM **connecting rods** noted for superior strength and bearing quality.
- 5 Special stainless steel **plunger rods** with high strength crossheads for longevity and corrosion resistance.
- 6 The stainless steel **slinger** provides back-up protection for the crankcase seal, keeping pumped liquids out of the crankcase.
- 7 Special concentric, high-density, polished, solid ceramic **plungers** provide a true wear surface and extended seal life.
- 8 **Manifolds** are 316 SSL block-style for long-term continuous-duty and corrosion resistance.
- 9 **Standard Models:** Lo Pressure Seals and V-Packings are completely lubricated and cooled by the liquid being pumped.
- 9 Special **Flushed Inlet Manifold** permits external flush for added cooling with high temperature liquids and lubrication with low lubricity liquids.
- 10 Stainless steel **valves, seats and springs** provide corrosion-resistance, ultimate seating and extended life.
- 11 Specially formulated, CAT PUMP exclusive, **V-Packings** offer unmatched performance and seal life.
- 12 **Crossheads** are 360° supported for uncompromising alignment.

Products described hereon are covered by one or more of the following U.S. patents 3558244, 3652188, 3809508, 3920356, 3930756 and 5035580

World Headquarters
CAT PUMPS
 1681 - 94th Lane N.E. Minneapolis, MN 55449-4324
 Phone (763) 780-5440 — FAX (763) 780-2958
 e-mail: techsupport@catpumps.com
 www.catpumps.com

International Inquiries
 FAX (763) 785-4329
 e-mail: intlsales@catpumps.com



CAT PUMPS (U.K.) LTD.
 1 Fleet Business Park, Sandy Lane, Church Crookham
 FLEET, Hampshire, GU52 8BF, England
 Phone Fleet 44 1252-622031 — Fax 44 1252-626655
 e-mail: sales@catpumps.co.uk www.catpumps.co.uk

N.V. CAT PUMPS INTERNATIONAL S.A.
 Heiveldekens 6A, B-2550 Kontich, Belgium
 Phone 32-3-450.71.50 — Fax 32-3-450.71.51
 e-mail: cpi@catpumps.be www.catpumps.be

CAT PUMPS DEUTSCHLAND GmbH
 Buchwiese 2, D-65510 Idstein, Germany
 Phone 49 6126-9303 0 — Fax 49 6126-9303 33
 e-mail: catpumps@t-online.de www.catpumps.de