



Pressure Sensitive Regulating Unloader

Model 7620

FEATURES

- Provides system pressure setting and protection for single gun (non-weep) and single pump installation.
- Compact size with auxiliary port for easy installation of gauge.
- Optional handle permits easy adjustments of pressure.
- Pressure sensitive feature permits wide range of flows and immediate pressure when gun opens.

SPECIFICATIONS

	U.S. Measure	Metric Measure
Flow Range	0.5-7.8 GPM	(1.9-29.5 L/M)
Pressure Range	100-3145 PSI	(7-220 BAR)
Maximum Temperature	194°F	(90°C)
Inlet Port	3/8" BSPM	(3/8" BSPM)
Discharge Port.....	3/8" BSPF	(3/8" BSPF)
By-pass Port.....	3/8" BSPF	(3/8" BSPF)
Auxiliary Port	1/4" BSPF	(1/4" BSPF)
Weight	1.3 lbs.	(0.59 kg)
Dimensions	3.2x1.5x4.7" (81x38x119.4mm)	

Unloader is stamped with a European safety pressure. Use only at above specifications to assure proper unloader life and performance.

For Relief Valve version add .100 to unloader model number.

⚠ WARNING

All systems require both a primary pressure regulating device (i.e., regulator, unloader) and a secondary pressure safety relief device (i.e., pop-off valve, safety valve). Failure to install such relief devices could result in personal injury or damage to the pump or to system components. CAT PUMPS does not assume any liability or responsibility for the operation of a customer's high pressure system.

“Customer confidence is our greatest asset”

SELECTION: This is a pressure sensitive **regulating unloader**. It is designed for systems with a **single** pump, solenoid (gate) valve, nozzle, and standard gun. **“Weep” guns are not recommended with this unloader.**

This unloader holds established system pressure in the discharge line when the trigger gun is closed or solenoid (gate) valve is closed or the nozzle is clogged, by-passing the unrequired flow. It returns to established system pressure without delay upon squeezing the trigger gun or opening the solenoid (gate) valve.

NOTE: For **multiple pump** systems, it is best to use a pressure regulator not an unloader.

Select the specific model of unloader to meet both the desired system flow (combined nozzle flow rate requirement) and the desired system pressure.

Exercise caution when matching the system requirements to the unloader flow capacity and pressure rating. Operation below the minimum flow of the unloader causes the unloader to cycle. Operation beyond the rated unloader flow causes premature valve wear, unloader cycling and prevents attaining desired system pressure.

Select a high pressure nozzle sized to provide for both the desired **system flow** and pressure and **unloader by-pass**.

CAUTION

A MINIMUM BY-PASS FLOW of 5% of the UNLOADER RATED FLOW CAPACITY is required for proper unloader performance.

When properly set this unloader protects the pump from pressure extremes associated with obstructions in the discharge line, while maintaining the established system pressure. When no flow is required by the system, the unloader by-passes all the system flow and relieves the load on the pump. Pressure is held in the discharge line (between the unloader and gun or solenoid valve) ready for a quick return to high pressure operation.

INSTALLATION: This unloader operates properly when mounted in any direction, however, it is preferred to keep the plumbing to a minimum and the adjusting cap easily accessible. The best location is directly on the pump discharge manifold head. Plumbing to and from the unloader should be at least the size of the unloader ports and flexible, high pressure hose (minimum single wire braid) is required.

This is a flow through design unloader. The standard **inlet connection** is at the **back**. The unloader can be mounted directly in the discharge line.

The **by-pass connection** is at the **bottom** of the unloader and can be plumbed in one of the following methods. Note that prolonged by-pass can result in significant heat build-up and frequent by-pass can result in premature wear to the valve. A **MINIMUM BY-PASS OF 5%** is necessary for the unloader to operate properly.

CAUTION

If the entire output is directed through the unloader (zero by-pass) the “cushioning” feature of the by-pass liquid is eliminated and the unloader can malfunction or wear prematurely.

Check the amount of by-pass by disconnecting the by-pass line and measuring the flow into a graduated container.

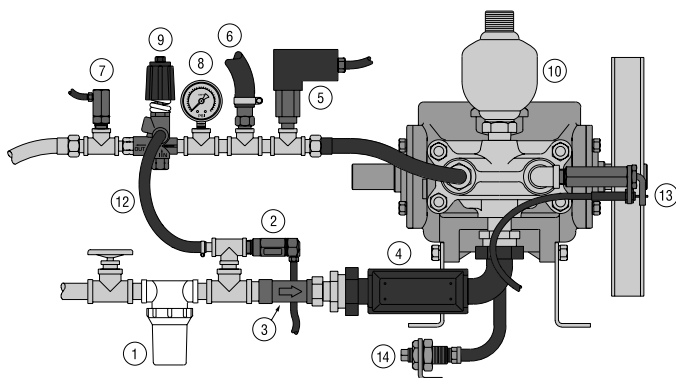
By-Pass to Reservoir: Ideally the by-pass line should be directed to a reservoir with at least one baffle between the supply line to the pump (from the reservoir) and the return by-pass line (from the unloader into the reservoir). This baffle minimizes turbulence and air bubbles that could enter the pump inlet feed line. **The reservoir capacity should be 6 to 10 times the rated system flow per minute.**

By-Pass to Pump Inlet: Although not recommended, by-pass liquid can be returned to the inlet line of the pump or directly to a pump inlet port (**systems up to 10 GPM**). When using this method an *Inlet Pressure Regulator* should be installed on the inlet line to avoid excessive inlet pressure. Be certain the *Inlet Pressure Regulator* is **between** the pump inlet and the by-pass line connection. When using this method, a *Thermo Valve* should be installed in the by-pass line to protect the pump from temperature build-up and premature seal failure.

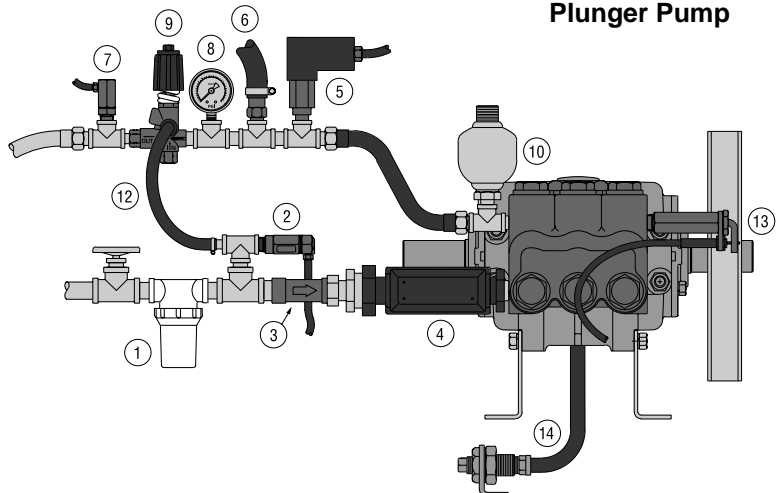
The by-pass line should be **connected to the pump inlet line at a gentle angle of 45° or less and no closer than 10 times the pump inlet port diameter** e.g. 1-1/2" port size = 15" distance from pump inlet port. **Refer to Technical Bulletin 064 for additional information on the size and length of the by-pass line.**

TYPICAL INSTALLATION

Piston Pump



Plunger Pump



By-pass to Drain: If the by-pass is limited and infrequent, the by-pass can easily drain to an unpressurized drain line (to the ground).

The **outlet connection** is located at the **front** of the unloader and marked with an arrow. Plumbing for the spray gun, nozzle or solenoid valve should be connected in from this discharge port. An auxiliary port is located on the side for direct mounting of a pressure gauge or pressure switch.

It is recommended that a secondary protective device such as the *CAT PUMP Pop-Off Valve* be installed to assure pump protection should the unloader malfunction. Refer to Troubleshooting for more information on malfunction of unloader.

Preferred mounting of the *Prrrrr-o-lator* (pulsation dampener) is directly **on the Discharge Manifold Head**. When using an *Inlet Pressure Regulator*, mount the *Prrrrr-o-lator* **downstream from the unloader** to assure optimum performance of the regulator.

CAUTION

Oversizing the *Prrrrr-o-lator* may cause delayed response from the unloader.

PRESSURE ADJUSTMENT: Setting and adjusting the unloader must be done with the system “on”. Start the system with the unloader backed off to the lowest pressure setting (**counterclockwise direction**). Squeeze the trigger and read the pressure on the gauge at the pump. **NOTE: Do not read the pressure at the gun or nozzle.** If more pressure is desired, release the trigger, turn adjusting cap one quarter turn in a **clockwise direction**. Squeeze the trigger and read the pressure. Repeat this process until desired system pressure is attained.

Once the desired system pressure is reached, stop turning the adjusting cap. Thread locking nut up to adjusting cap and tighten set screw. **NOTE: The locking nut is not set at the factory.**

If desired system pressure cannot be reached, review TROUBLESHOOTING chart.

When servicing existing systems, loosen set screw and back locking nut away from adjusting cap. Follow adjustment procedures as stated above for new unloaders.

NOTE: Do not adjust unloader pressure setting to compensate for a worn nozzle. Check the nozzle as part of the regular maintenance and replace if worn.

PRESSURE ADJUSTMENT AS A RELIEF VALVE: The unloader can also be used as a secondary relief valve by removing the check valve (add .100 when ordering this version). Adjust the pressure of the relief valve in the same increments as the primary valve, then adjust the relief valve to approximately 200 PSI above the primary valve pressure setting.

Approximate Pressure Reading at Gauge	Gauge Between Pump/Unloader	Gauge Between Unloader/Gun-Nozzle-Valve
System in operation (gun open)	system pressure	system pressure
System in by-pass (gun closed)	low pressure 0-150 PSI	system pressure +200 PSI

TROUBLESHOOTING

Unloader cycles	<ul style="list-style-type: none"> ● Worn O-Ring or check valve. ● Fitting leaking downstream. ● O-Ring in gun worn.
Liquid leaking from bottom	<ul style="list-style-type: none"> ● O-Ring for by-pass fitting cut or worn.
Liquid leaking from top	<ul style="list-style-type: none"> ● O-Ring for piston worn or cut.
Unloader will not come up to pressure	<ul style="list-style-type: none"> ● Not properly sized for system pressure. ● Foreign material in unloader. ● Filter plugged. ● Piston O-Rings worn. ● Nozzle worn. ● Insufficient flow to pump.
Extreme pressure spikes	<ul style="list-style-type: none"> ● Adjusting cap turned completely into unloader. ● Restricted by-pass or no by-pass. ● System flow exceeds unloader rating.

WARRANTY

90 Day Warranty

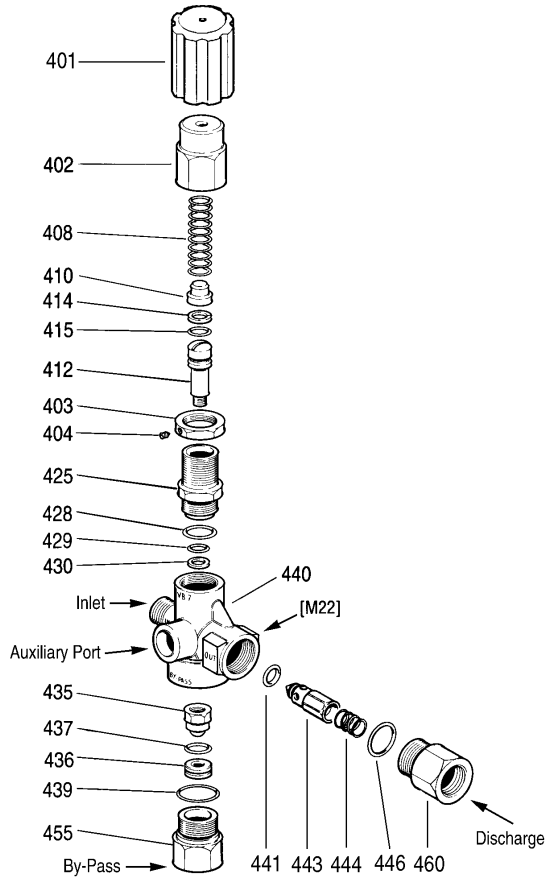
Refer to complete CAT PUMPS Warranty for further information.

- | | |
|---|----------------------------------|
| 1 Inlet Filter | 8 Pressure Gauge |
| 2 Thermo Valve | 9 Pressure Regulator/Unloader |
| 3 Inlet Pressure Regulator | 10 Pulsation Dampener★ |
| 4 C. A.T. Tube
(Captive Acceleration Tube) | 11 Chemical Injector (Not Shown) |
| 5 Pressure Switch | 12 By-pass Hose |
| 6 Pop-Off Valve | 13 Throttle Controller |
| 7 Quick Start Valve | 14 Oil Drain Kit |

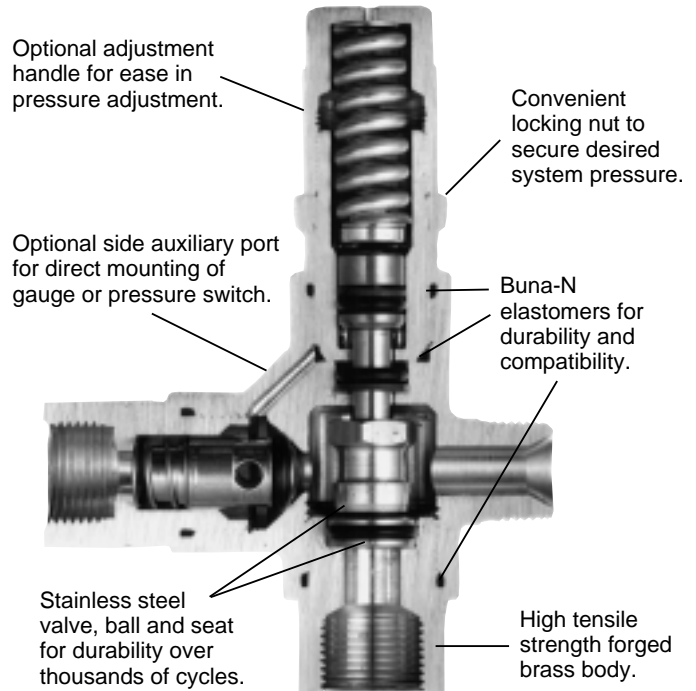
★ Preferred mounting of Pulsation Dampener [Prrrrr-O-Lator] is directly on the discharge manifold of the pump. The preferred mounting of the by-pass hose [when returning to the inlet] is before the Pressure Reducing Valve. If this is not possible, then mount the Prrrrr-O-Lator after the Pressure Unloading Valve to prevent pressure spikes to the pump inlet.

These illustrations show the basic elements for a typical installation of a high pressure piston or plunger pump. **Not all components shown are required for all applications or systems.** Each component presents potential problems that too often are ascribed to a perfectly functioning pump, such as: a clogged strainer, a partially closed shut-off valve, a faulty gauge, or a malfunctioning regulator/unloader. Proper system installation, routine lubrication, monitoring and maintenance of components are your basic guarantees of optimum pump performance. CAT PUMPS does not assume any liability or responsibility for the design or operation of a customer’s high pressure system.

EXPLODED VIEW



CUTAWAY



PARTS LIST

ITEM	PN	MATL	DESCRIPTION	QTY	ITEM	PN	MATL	DESCRIPTION	QTY
401	32088	NY	Handle, Adjusting, Black	1	436	33806	NBR	Seat w/O-Ring	1
402	33859	BB	Cap, Adjusting	1	437	—	NBR	O-Ring, Seat - 85D	1
403	33857	BB	Nut, Locking (M18x1)	1	439	—	NBR	O-Ring, By-pass Fitting - 85D	1
404	33061	STZP	Screw, Set (M4x4)	1	440	—	BB	Body, Valve	1
408	32094	STZP	Spring (Silver)	1	441	—	NBR	O-Ring, Flow Balancer	1
410	32819	STZP	Spring, Guide	1	443	33852	BB	Valve, Check	1
412	33860	S	Stem, Valve	1	444	33843	S	Spring, Valve, Check	1
414	—	PTFE	Back-up-Ring, Stem	1	446	—	NBR	O-Ring, Discharge Fitting	1
415	—	NBR	O-Ring, Stem	1	455	33846	BB	Fitting, By-pass	1
425	33861	BB	Retainer, Piston	1	460	33847	BB	Fitting, Discharge	1
428	33043	NBR	O-Ring, Retainer	1	468	33098	NBR	Kit, O-Ring	1
429	—	NBR	O-Ring, Stem	1	<i>(Incls: 414, 415, 428, 429, 430, 437, 439, 441, 446)</i>				
430	—	PTFE	Back-up-Ring, Stem	1	469	7233	—	Chemical Injector, Fixed (Not Shown)	1
435	33853	SSS	Valve and Ball Assembly	1					

Italics are optional items.

MATERIAL CODES (Not Part of Part Number): BB=Brass NBR=Medium Nitrile (Buna-N) NY=Nylon PTFE=Pure Polytetrafluoroethylene
S=304SS SSS=416SS STZP=Steel/Zinc Plated

Note: To mount injector on unloader, remove items 460, 446, 444, 443 and 441. Insert 444, 443, and 441 into injector (item 469). Install new O-Ring onto injector (item 469). Thread injector (item 469) into unloader. Discard fitting (item 460) and O-Ring (446).

Products described hereon are covered by one or more of the following U.S. patents 3558244, 3652188, 3809508, 3920356, 3930756 and 5035580

World Headquarters
CAT PUMPS
 1681 - 94th Lane N.E. Minneapolis, MN 55449-4324
 Phone (763) 780-5440 — FAX (763) 780-2958
 e-mail: techsupport@catpumps.com
 www.catpumps.com

International Inquiries
 FAX (763) 785-4329
 e-mail: intlsales@catpumps.com



CAT PUMPS (U.K.) LTD.
 1 Fleet Business Park, Sandy Lane, Church Crookham
 FLEET, Hampshire, GU52 8BF, England
 Phone Fleet 44 1252-622031 — Fax 44 1252-626655
 e-mail: sales@catpumps.co.uk
N.V. CAT PUMPS INTERNATIONAL S.A.
 Heiveldekens 6A, B-2550 Kontich, Belgium
 Phone 32-3-450.71.50 — Fax 32-3-450.71.51
 e-mail: cpi@catpumps.be www.catpumps.be
CAT PUMPS DEUTSCHLAND GmbH
 Buchwiese 2, D-65510 Idstein, Germany
 Phone 49 6126-9303 0 — Fax 49 6126-9303 33
 e-mail: catpumps@t-online.de www.catpumps.de