



Pressure Cleaning Rotating Nozzle

Model **7625**

FEATURES & BENEFITS

- High impact, rotating straight stream with 20° angle for intense cleaning action.
- Heavy duty, long wearing ceramic nozzle and seat for exceptional life.
- Rotating nozzle can be started and used in any position.
- Corrosion resistant brass construction with non-marring black cover.

SELECTION: The design of this rotating nozzle with its 0° degree stream means more efficient cleaning with less water. The 7625 rotating nozzle is available in a wide range of standard nozzle sizes to meet your system requirements of pressure and flow. A convenient chart is provided to aid in the selection of the correct nozzle size. The nozzle size is machined into every nozzle next to the threaded port, plus a colored dot on the front of the nozzle identifies the size. Note that the minimum pressure to assure smooth rotation is 1200 PSI. The maximum pressure for the 7625 series is 3650 PSI.

INSTALLATION: The 7625 rotating nozzle is designed for mounting on a lance and can be used in any position. Position the nozzle for desired impact and coverage from the target. A position closer to the target will result in more impact and cleaning action. A position farther away from the target will result in wider spray coverage. Install the rotating nozzle using the 1/4" BSPF fitting. Use tape or pipe sealant on the adjoining threaded BSPM fitting and tighten the nozzle onto the fitting.

OPERATION: The 7625 rotating nozzle is specially designed, 0° straight stream nozzle that rotates at a 20° angle for high impact

SPECIFICATIONS

	U.S. Measure	Metric Measure
Flow Range	1.6 to 7.7 GPM	(6 to 29 L/M)
Pressure Range	1200 to 3650 PSI	(85 to 250 BAR)
Maximum Temperature	212°F	(100°C)
Inlet Fitting	1/4" BSPF	(1/4" BSPF)
Weight	14.46 oz.	(0.41 kg)
Dimensions	1.61 x 3.82"	(41 x 97 mm)

cleaning using less water. Its efficient high speed rotating jet of water offers better cleaning intensity than traditional flat fan nozzles. The nozzle uses an internal balanced and guided turbine to positively rotate the ceramic nozzle at high speed for complete cleaning coverage. The ceramic nozzle provides excellent wear resistance and long service life.

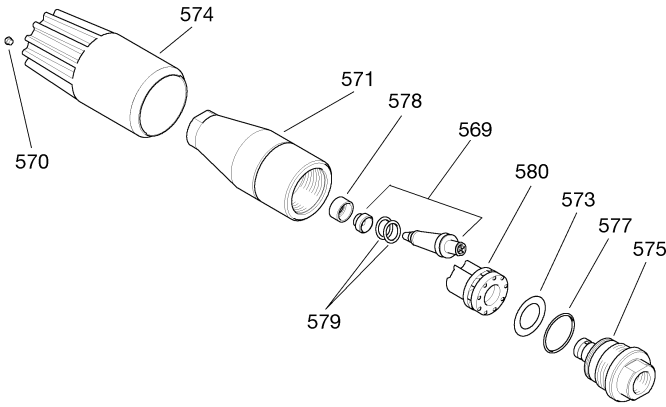
MAINTENANCE: Replacement nozzle assemblies are available for each size nozzle for periodic maintenance. If the nozzle stops rotating, remove the nozzle and disassemble. Clean the internal passages of foreign material. If the nozzle losses pressure, remove the nozzle and disassemble. Replace the worn internal ceramic assembly. Do not adjust the unloader valve to compensate for the loss of pressure.

⚠ WARNING

Always shut system off when changing guns, lances and nozzles to avoid accidental damage or injury.

“Customer confidence is our greatest asset”

EXPLODED VIEW



PARTS LIST

ITEM	P/N	MATL	DESCRIPTION	QTY
569	31777	BBCC	Nozzle Assy (3.0) White	1
	31778	BBCC	Nozzle Assy (3.5) Brown	1
	31779	BBCC	Nozzle Assy (4.0) Dark Yellow	1
	31780	BBCC	Nozzle Assy (4.5) Blue	1
	31781	BBCC	Nozzle Assy (5.0) Light Purple	1
	31783	BBCC	Nozzle Assy (5.5) Dark Red	1
	31784	BBCC	Nozzle Assy (6.0) Dark Green	1
	31785	BBCC	Nozzle Assy (6.5) Light Blue	1
	31786	BBCC	Nozzle Assy (7.0) Orange	1
	31787	BBCC	Nozzle Assy (8.0) Silver	1
570	—	NY	Plug	1
571	—	BB	Body	1
573	31829	S	Washer	1
574	—	—	Protector, Nozzle, Black	1
575	—	BB	Fitting, Inlet (1/4" BSPF)	1
577	32926	NBR	O-Ring, Fitting, Inlet - 90D	1
578	—	CC	Insert	1
579	31831	NBR	O-Ring, Nozzle (Prior to 6/07)	1
	31601	NBR	O-Ring, Nozzle (After 6/07)	2
580	31832	—	Turbine	1

MATERIAL CODES (Not Part of Part Number): BB=Brass BBCC=Brass/Ceramic
CC=Ceramic NBR=Medium Nitrile (Buna-N) NY=Nylon S=304SS

7625 NOZZLE SELECTION CHART

Model	Nozzle Size	Color Coded Plug	Nozzle Flow (GPM) at Various Pressures					
			1200 PSI	1500 PSI	2000 PSI	2500 PSI	3000 PSI	3650 PSI
			85 BAR	105 BAR	140 BAR	175 BAR	210 BAR	250 BAR
7625.30	3.0	White	1.6	1.9	2.1	2.4	2.6	2.9
7625.35	3.5	Brown	1.9	2.1	2.5	2.8	3.0	3.3
7625.40	4.0	Dk Yellow	2.2	2.5	2.8	3.2	3.5	3.8
7625.45	4.5	Blue	2.4	2.7	3.2	3.5	3.9	4.3
7625.50	5.0	Lt Purple	2.8	3.1	3.5	4.0	4.3	4.8
7625.55	5.5	Dk Red	3.0	3.3	3.9	4.3	4.8	5.2
7625.60	6.0	Dk Green	3.2	3.7	4.2	4.8	5.2	5.7
7625.65	6.5	Lt Blue	3.6	4.0	4.6	5.2	5.6	6.2
7625.70	7.0	Orange	3.8	4.3	5.0	5.5	6.0	6.7
7625.80	8.0	Silver	4.4	4.9	5.6	6.4	7.0	7.7

TROUBLESHOOTING

- | | |
|---|---|
| <p>Will not rotate</p> <p>No flow from nozzle</p> | <ul style="list-style-type: none"> • Ceramic seat or nozzle chipped or broken. Replace as needed. • Nozzle plugged. • Low flow to pump. • Filter to pump clogged. |
|---|---|

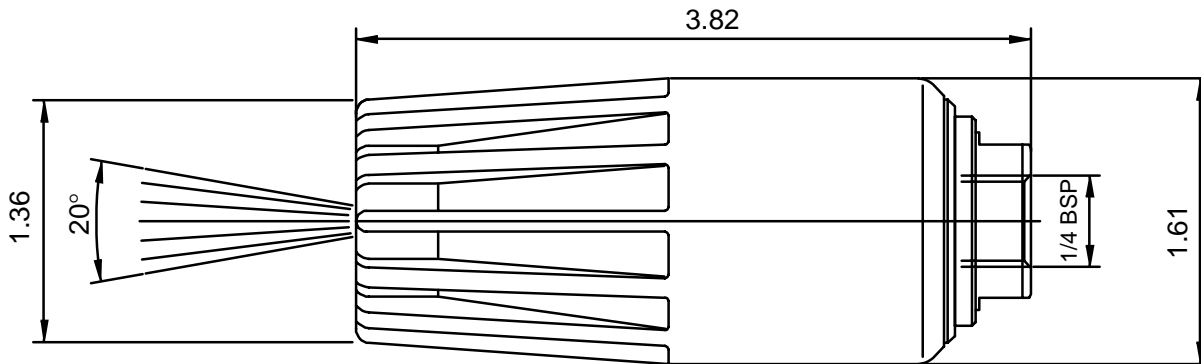
⚠ WARNING

**Severe injury can occur with high pressure spray.
Do not allow spray to contact any part of body.**

WARRANTY

90 Day Warranty
Refer to complete CAT PUMPS Warranty for further information.

DIMENSIONAL



Products described hereon are covered by one or more of the following U.S. patents 3558244, 3652188, 3809508, 3920356, 3930756 and 5035580

World Headquarters

CAT PUMPS

1681 - 94th Lane N.E. Minneapolis, MN 55449-4324

Phone (763) 780-5440 — FAX (763) 780-2958

e-mail: techsupport@catpumps.com

www.catpumps.com

International Inquiries

FAX (763) 785-4329

e-mail: intlsales@catpumps.com



The Pumps with Nine Lives

CAT PUMPS (U.K.) LTD.

1 Fleet Business Park, Sandy Lane, Church Crookham

FLEET, Hampshire, GU52 8BF, England

Phone Fleet 44 1252-622031 — Fax 44 1252-626655

e-mail: sales@catpumps.co.uk

N.V. CAT PUMPS INTERNATIONAL S.A.

Heiveldkens 6A, B-2550 Kontich, Belgium

Phone 32-3-450.71.50 — Fax 32-3-450.71.51

e-mail: cpi@catpumps.be www.catpumps.be

CAT PUMPS DEUTSCHLAND GmbH

Buchwiese 2, D-65510 Idstein, Germany

Phone 49 6126-9303 0 — Fax 49 6126-9303 33

e-mail: catpumps@t-online.de www.catpumps.de