

DATA SHEET

HIGH-PRESSURE SHUT-OFF GUNS



Brass Gun Models: 31260
31265



Model 31260 Shown

FEATURES

- Innovative trigger design rotates on a fixed pin to allow smoother, steadier motion.
- Unique double connecting rod arrangement requires less force when opening and holding.
- Durable nylon blended body and trigger provide longer life and superior strength.
- Quality construction and stainless steel valve and seat ensure thousands of continuous cycles.
- Color-coded trigger safety latch allow easy identification.

SPECIFICATIONS

U.S.

Metric

31260

Maximum Flow	8.0 gpm	30 lpm
Maximum Pressure	5100 psi	350 bar
Weight	23.7 oz	0.67 kg
Dimensions	8.03 x 7.3 x 1.3"	204 x 185.5 x 33 mm
Trigger Latch Color	Red	Red

31265

Maximum Flow	13 gpm	50 lpm
Maximum Pressure	3650 psi	250 bar
Weight	24.1 oz	0.68 kg
Dimensions	8.2 x 7.3 x 1.3"	210 x 185.5 x 33 mm
Trigger Latch Color	Yellow	Yellow

COMMON SPECIFICATIONS

Inlet Port	3/8" NPT(F)	3/8" NPT(F)
Discharge Port	1/4" NPT(F)	1/4" NPT(F)
Maximum Temperature	320° F	160° C

Use only at above specifications to ensure proper gun life and performance.

SELECTION

Select a gun to match the system flow, pressure requirements, temperature and function being performed. These special industrial guns have a unique trigger design to minimize operator fatigue in high-pressure applications.

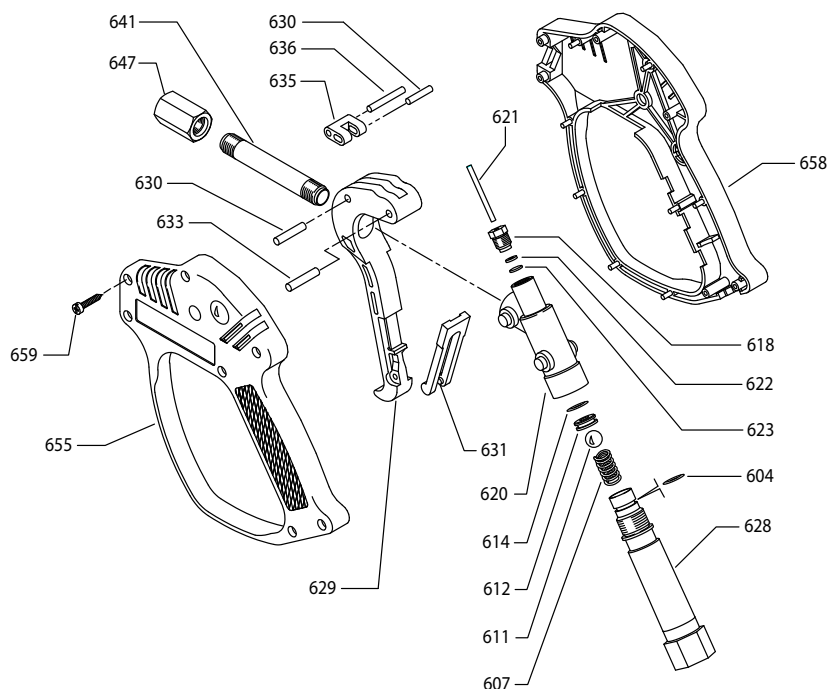
INSTALLATION

Install the appropriate regulator or unloader when using a shut-off gun to avoid pressure spikes when the gun is shut off. Severe damage can occur to high-pressure systems without this safety device.

OPERATION

Flow through the gun occurs by squeezing the trigger. This activates the actuator rod, lifting the ball off the seat, allowing the pumped liquid to flow through the valve body chamber in the gun. Releasing the trigger shuts off the flow. A special safety latch locks the gun closed to prevent unintentional operation. This latch is red on the 31260 gun and yellow on the 31265 gun.

EXPLODED VIEW



PARTS LIST

ITEM	PART NUMBER		DESCRIPTION		QTY
31260 MATL 31265 MATL					
604	33564	NBR 33564	NBR	O-Ring, Inlet Fitting-90D	1
607	31012	S 31012	S	Spring	1
611	32289	SSSS 31075	SSSS	Ball	1
612	31204	SS 31102	SS	Seat	1
614	—	NBR —	NBR	O-Ring, Seat-85D	1
618	31001	BB 31001	BB	Guide, Rod	1
620	—	BB —	BB	Body	1
621	31032	S 31032	S	Rod, Actuator	1
622	35074	PTFE 35074	PTFE	Backup Ring, Rod	1
623	35020	FPM 35020	FPM	O-Ring, Rod	1
628	31015	BB 31015	BB	Fitting, Inlet [3/8" NPT(F)]	1
629	—	NY —	NY	Trigger, Black	1
630	—	S —	S	Pin, Trigger (M4 x 20)	2
631	—	NY N/A	N/A	Latch, Safety, Red (Model 31260)	1
	—	— NY	NY	Latch, Safety, Yellow (Model 31265)	1

ITEM	PART NUMBER		DESCRIPTION		QTY
31260 MATL 31265 MATL					
633	—	S —	S	Pin, Trigger (M5 x 33)	1
635	—	NY —	NY	Collar, Trigger	1
636	—	S —	S	Pin, Trigger (M4 x 29)	1
641	31089	S 31089	S	Tube, Discharge	1
647	31090	BB 31091	BB	Fitting, Discharge [1/4" NPT(F)]	1
655	—	NY —	NY	Handle, Left, Blue	1
658	—	NY —	NY	Handle, Right, Blue	1
659	—	STZP —	STZP	Screw, Self-Threading (M3.5 x 18)	7
665	31852	NY 31833	NY	<i>Handle Assembly (Includes: 655, 658, 659)</i>	1
667	31818	NY 31817	NY	<i>Trigger Assembly (Includes: 629, 630, 631, 633, 635, 636)</i>	1
668	31240	NBR 31236	NBR	<i>Kit, Repair (Includes: 604, 611, 612, 614, 621, 622, 623)</i>	1

Italics are optional items.

MATERIAL CODES (Not Part of Part Number): BB=Brass FPM=Fluorocarbon
 NBR=Medium Nitrile (Buna-N) NY=Nylon PTFE=Pure Polytetrafluoroethylene
 S=304SS SS=316SS SSSS=440SS STZP=Steel/Zinc Plated

TROUBLESHOOTING

Water leaking out the discharge of the gun

- Object lodged between the seat and ball
- Seat worn
- O-ring under seat worn

Water leaking out the lever area

- O-ring around actuator rod worn

SKIN PUNCTURE HAZARD

Do not allow spray to contact any part of the body or animals. Pumped liquids under high pressure can pierce skin and underlying tissue or can deflect debris leading to serious personal injury or death.

1. Relieve all line pressure in the inlet line to the pump and discharge line from the pump before performing any maintenance on the gun.
2. When high-pressure gun is not in use, set safety trigger lock (safety latch) to avoid accidental high-pressure operation and personal injury or property damage.

CAUTIONS AND WARNINGS

All high-pressure systems require a primary pressure regulating device (i.e. regulator, unloader) and a secondary pressure relief device (i.e. pop-off valve, relief valve). Failure to install such relief devices could result in personal injury or damage to pump or property. Cat Pumps does not assume any liability or responsibility for the operation of a customer's high-pressure system.

Read all CAUTIONS and WARNINGS before commencing service or operation of any high-pressure system. The CAUTIONS and WARNINGS are included in each Service Manual and with each Accessory Data sheet. CAUTIONS and WARNINGS can also be viewed online at www.catpumps.com/dynamic-literature/cautions-and-warnings or can be requested directly from Cat Pumps.

WARRANTY

View the Limited Warranty on-line at www.catpumps.com/literature/cat-pumps-limited-warranty