

DATA SHEET

PRESSURE-COMPENSATING SHUT-OFF GUN



**Brass Gun
Model:**

39420



FEATURES

- Pressure-compensating valve design permits a gradual pull on the trigger for gradual build-up of pressure.
- Durable nylon blended body and trigger provide longer life and superior strength.
- Quality construction, combined with stainless steel valve and seat, ensures thousands of continuous cycles.
- Special safety latch prevents unintentional operation.

COMMON SPECIFICATIONS

	U.S.	Metric
Maximum Flow	53 gpm	200 lpm
Maximum Pressure	2900 psi	200 bar
Maximum Temperature	140° F	60° C
Maximum Temperature (Intermittent)	210° F	100° C
Inlet Port	¾" BSPF	¾" BSP(F)
Discharge Port	½" BSP(F)	½" BSP(F)
Weight	2.98 lbs	1.35 kg
Dimensions	8.62 x 8.62 x 1.81"	219 x 219 x 46 mm

Use only at above specifications to ensure proper gun life and performance.

SELECTION

Select a gun to match the system flow, pressure requirements, temperature and function being performed. This special industrial gun is designed to minimize operator fatigue in high-pressure applications.

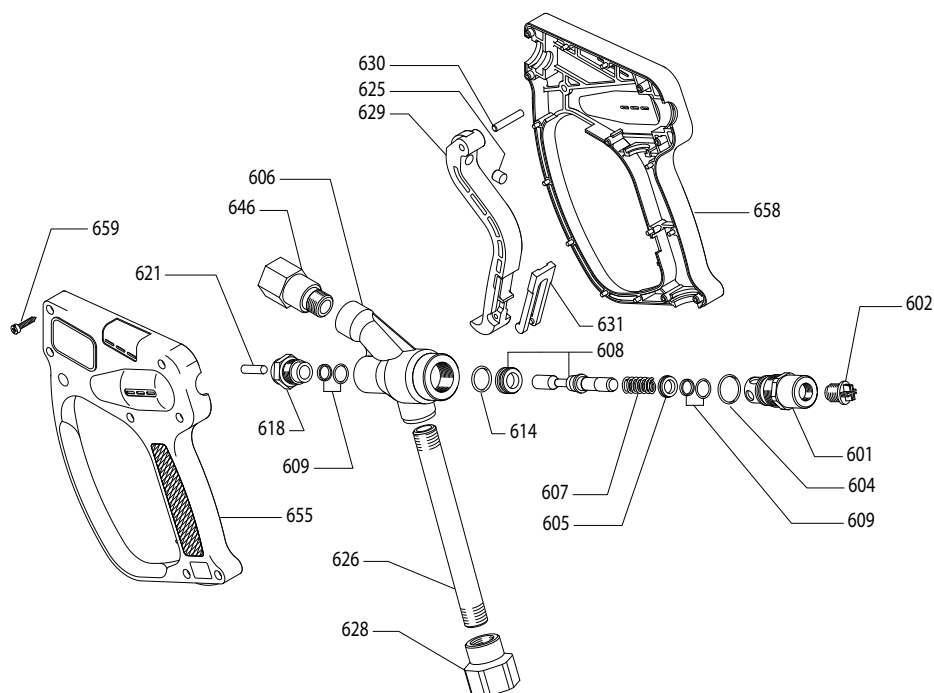
INSTALLATION

Install the appropriate regulator or unloader when using a shut-off gun to avoid pressure spikes when the gun is shut off. Severe damage can occur to high-pressure systems without this safety device.

OPERATION

Flow through the gun occurs by squeezing the trigger. Because of the unique valve design, a gradual pull on the trigger will permit a gradual build-up of pressure up to 2,900 psi. Squeezing the trigger lifts the piston off the seat and allows flow through the flow ports and around the perimeter of the seat. A special safety latch locks the gun closed to prevent unintentional operation.

EXPLODED VIEW



PARTS LIST

ITEM	P/N	MATL	DESCRIPTION	QTY
601	—	BB	Plug, Spring	1
602	39401	NY	Plug, Rear (¼" BSPM)	1
604	32926	NBR	O-Ring, Plug-85D	1
605	—	BB	Spacer	1
606	—	BB	Body	1
607	—	S	Spring	1
608	—	S	Seat, Piston (2-Piece Set)	1
609	39421	NBR	Seal, Piston with O-Ring	2
614	33043	NBR	O-Ring, Seat	1
618	39408	BB	Retainer, Piston	1
621	—	S	Rod, Actuator	1
625	—	S	Striker	1
626	—	S	Pipe, Inlet	1

ITEM	P/N	MATL	DESCRIPTION	QTY
628	—	S	Fitting, Inlet (¾" BSPF)	1
629	—	NY	Trigger (Black)	1
630	—	BB	Pin, Trigger	1
631	—	NY	Latch, Safety (Red)	1
646	—	S	Fitting, Discharge (½" BSPF)	1
655	—	NY	Handle, Left, Blue	1
658	—	NY	Handle, Right, Blue	1
659	—	S	Screw, (M3.5 x 18)	7
665	31797	—	Assembly, Handle (Includes: 655, 658, 659)	1
667	31839	—	Assembly, Trigger (Includes: 625, 629, 630, 631)	1
668	39283	NBR*	Kit, Gun Repair (Includes: 604, 607, 608, 609, 614)	1

Italics are optional items.

*Review material codes for individual parts (FPM O-Ring is used)
 MATERIAL CODES: (Not Part of Part Number): BB=Brass FPM=Fluorocarbon
 NBR=Medium Nitrile (Buna-N) NY=Nylon PTFE=Pure Polytetrafluoroethylene S=304SS
 SSS=416SS

TROUBLESHOOTING

Water leaking out the discharge of the gun

- Object lodged between the seat and ball
- Seat worn
- O-ring under seat worn

Water leaking out the lever area

- O-ring around actuator rod worn

SKIN PUNCTURE HAZARD

Do not allow spray to contact any part of the body or animals. Pumped liquids under high pressure can pierce skin and underlying tissue or can deflect debris leading to serious personal injury or death.

1. Relieve all line pressure in the inlet line to the pump and discharge line from the pump before performing any maintenance on the gun.
2. When high-pressure gun is not in use, set safety trigger lock (safety latch) to avoid accidental high-pressure operation and personal injury or property damage.

CAUTIONS AND WARNINGS

All high-pressure systems require a primary pressure regulating device (i.e. regulator, unloader) and a secondary pressure relief device (i.e. pop-off valve, relief valve). Failure to install such relief devices could result in personal injury or damage to pump or property. Cat Pumps does not assume any liability or responsibility for the operation of a customer's high-pressure system.

Read all CAUTIONS and WARNINGS before commencing service or operation of any high-pressure system. The CAUTIONS and WARNINGS are included in each Service Manual and with each Accessory Data sheet. CAUTIONS and WARNINGS can also be viewed online at www.catpumps.com/dynamic-literature/cautions-and-warnings or can be requested directly from Cat Pumps.

WARRANTY

View the Limited Warranty on-line at www.catpumps.com/literature/cat-pumps-limited-warranty