

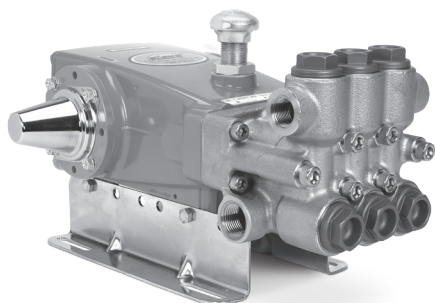
# DATA SHEET

## 15 FRAME PLUNGER PUMPS



**Brass Model: 1530.44101**

**Stainless Steel Model: 1531.44101**



Model 1530.44101 Shown  
(Mounting rails sold separately)

### FEATURES

- Field tested, high-pressure triplex pump configured for high-temperature TEG (triethylene glycol) applications up to 240° F/115° C. May be used in other high-temperature applications with liquids possessing adequate lubrication properties. Contact Cat Pumps for more information.
- Positive displacement technology delivers optimum energy efficiency.
- TEG\* pump configuration option consists of following modifications:
  - FPM elastomers and O-ring material throughout the pump.
  - Chrome-plated steel vented oil filler cap assembly with brass adapter.
  - Stainless steel sight gauge assembly and aluminum adapter.
  - Aluminum seal retainers.
  - Special PTFE blended low-pressure seals and V-packings.

\* TEG pump configuration is denoted by adding ".44101" to the end of the pump model.

SPECIFICATIONS	U.S. Measure	Metric Measure
Flow	15.6 gpm	59 lpm
Pressure Range	100–1500 psi	6.9–103 bar
Pump RPM*	1450 rpm	1450 rpm
Inlet Pressure Range	Flooded to 70 psi	Flooded to 4.8 bar
Bore	0.984"	25 mm
Stroke	1.181"	30 mm
Max. Liquid Temperature	240° F	115° C
Crankcase Capacity	42 oz	1.26 l
Inlet Ports (2)	1" NPT(F)	1" NPT(F)
Discharge Ports (2)	¾" NPT(F)	¾" NPT(F)
Pulley Mounting	Either Side	Either Side
Shaft Diameter	1.181"	30 mm
Weight (1530)	55 lbs	25 kg
Weight (1531)	53 lbs	24 kg
Dimensions	17.24 x 12.99 x 8.29"	438 x 330 x 210 mm

\* Pump minimum is 100 RPM

### ELECTRIC HORSEPOWER REQUIREMENTS

FLOW		PRESSURE						PUMP RPM
GPM	LPM	PSI	BAR	PSI	BAR	PSI	BAR	
		1000	69	1200	83	1500	103	
		<b>Horsepower*</b>						
15.6	59	10.7 hp		12.8 hp		16.0 hp		1450

$$\frac{\text{DETERMINING THE PUMP RPM}}{\text{Rated gpm}} = \frac{\text{Desired gpm}}{\text{Rated rpm}}$$

$$\frac{\text{DETERMINING THE REQUIRED HP}}{\text{hp (Electric Brake)}} = \frac{\text{gpm} \times \text{psi}}{1460}$$

$$\frac{\text{DETERMINING MOTOR PULLEY SIZE}}{\text{Motor Pulley OD}} = \frac{\text{Pump Pulley OD}}{\text{Pump rpm}}$$

Refer to pump **Service Manual** for repair procedure and additional technical information.

# PARTS LIST

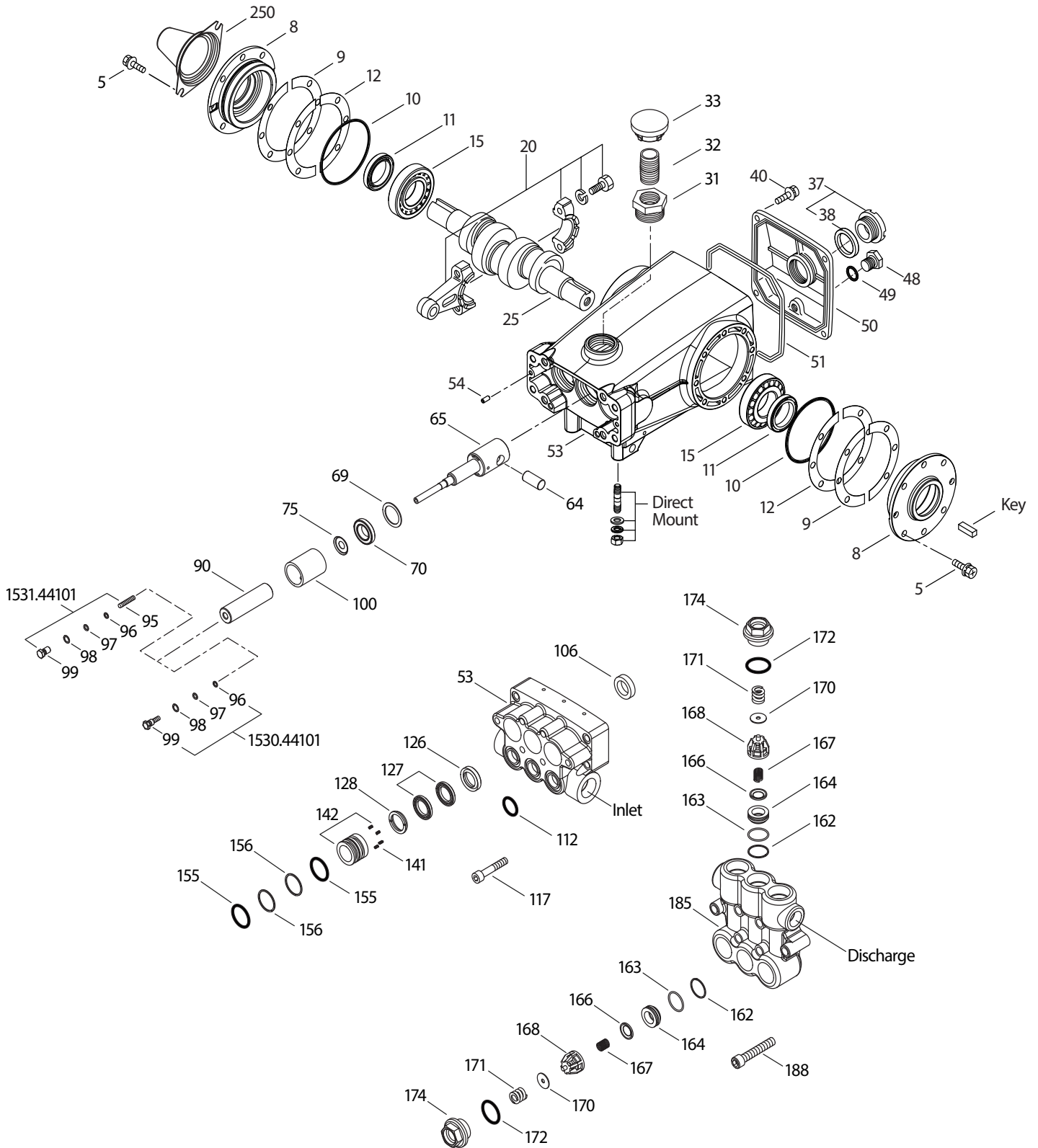
ITEM	PART NUMBER	MATL	PART NUMBER	MATL	DESCRIPTION	QTY
	<b>1530.44101</b>		<b>1531.44101</b>			
5	<b>126540</b>	STCP R	<b>49651</b>	S	Screw, HHC Sems (M8 x 20) (See Tech Bulletin 074, 128)	8
8	134805	ALE	134805	ALE	Cover, Bearing (See Tech Bulletin 118, 128)	2
9	855043	FBR	855043	FBR	Shim, Split 2-Piece (See Tech Bulletin 128)	0-2
10	76340	FPM	76340	FPM	O-Ring, Bearing Cover-75D	2
11	76491	FPM	76491	FPM	Seal, Oil, Crankshaft	2
12	855044	S	855044	S	Shim, Split, 2-Piece (See Tech Bulletin 128)	0-2
15	39060	STL	39060	STL	Bearing, Roller	2
20	48600	TNM	48600	TNM	Rod, Connecting Assembly (See Tech Bulletin 074)	3
25	43494	FCM	43494	FCM	Crankshaft, Dual-End (M30)	1
31	76411	BB	76411	BB	Adapter, [3/4" NPT(F)]	1
32	992623	BB	992623	BB	Nipple, Close [3/4" NPT(M)]	1
33	76331	STCP	76331	STCP	Cap, Vented	1
36	76792	SS	76792	SS	Gauge, Sight	1
37	76791	AL	76791	AL	Adapter, Sight	1
38	44428	NBR	44428	NBR	Gasket, Flat, Adapter-80D	1
40	<b>126541</b>	STCP R	<b>92542</b>	S	Screw, HHC Sems (M6 x 20) (See Tech Bulletin 074)	4
48	25625	STCP	25625	STCP	Plug, Drain (1/4" x 19 BSP)	1
49	30322	FPM	30322	FPM	O-Ring, Drain Plug	1
50	133576	ALE	133576	ALE	Cover, Rear (See Tech Bulletin 118)	1
51	76834	FPM	76834	FPM	O-Ring, Rear Cover-75D	1
53	134889	ALE	134889	ALE	Crankcase (With Guide Pins) (See Tech Bulletin 118, 128)	1
54	27488	S	27488	S	Pin, Guide	2
64	43507	CM	43507	CM	Pin, Crosshead	3
65	<b>48228</b>	SHS	<b>48360</b>	SSHS	Rod, Plunger	3
69	126592	STCP R	126592	STCP R	Washer, Oil Seal	3
70	76500	FPM	76500	FPM	Seal, Oil Crankcase	3
75	43506	S	43506	S	Slinger, Barrier	3
90	48606	CC	48606	CC	Plunger, Ceramic (M25 x 92)	3
95	—	—	<b>89651</b>	SS	Stud, Plunger Retainer (M6 x 70)	3
96	43235	PTFE	43235	PTFE	Backup Ring, Plunger Retainer	3
97	14160	FPM	14160	FPM	O-Ring, Plunger Retainer-80D	3
98	<b>45891</b>	CU	<b>44041</b>	SS	Gasket, Plunger Retainer	3
99	<b>104360</b>	S	<b>44031</b>	SS	Retainer, Plunger (See Tech Bulletin 074)	3
100	769509	AL	769509	AL	Retainer, Seal	3
106	76086	ST2	76086	ST2	Seal, LPS with S-Spring	3
110	<b>48608</b>	FBB	<b>48683</b>	SS	Manifold, Inlet	1
112	11719	FPM	11719	FPM	O-Ring, Inlet Manifold	3
117	<b>126515</b>	STCP R	<b>87952</b>	S	Screw, HSH (M10 x 55) (See Tech Bulletin 074)	4
126	<b>48538</b>	BB	<b>76667</b>	SS	Adapter, Female	3
127	703050	SFTB	703050	SFTB	V-Packing	6
128	<b>48539</b>	BB	<b>113025</b>	SS	Adapter, Male	3
141	48672	SS	48672	SS	Spring, Coil	18
142	<b>48550</b>	BB	<b>48670</b>	SS	Spacer, with Coil Springs	3
155	14183	FPM	14183	FPM	O-Ring, Spacer	6
156	28243	PTFE	28243	PTFE	Backup Ring, Spacer	6
162	44614	PTFE	44614	PTFE	Backup Ring, Seat	6
163	14330	FPM	14330	FPM	O-Ring, Seat-70D	6
164	<b>48596</b>	S	<b>48688</b>	SS	Seat	6
166	48686	SS	48686	SS	Valve	6
167	48687	SS	48687	SS	Spring, Valve	6
168	44735	PVDF	44735	PVDF	Retainer, Spring	6
170	44794	SS	44794	SS	Washer, Spring Retainer	6
171	48689	SS	48689	SS	Spring, Coil	6
172	14183	FPM	14183	FPM	O-Ring, Valve Plug	6
174	<b>48597</b>	FBB	<b>49294</b>	SSZZ	Plug, Valve	6
185	<b>48610</b>	FBB	<b>48685</b>	SS	Manifold, Discharge	1
188	<b>126519</b>	STCP R	<b>89981</b>	S	Screw, HSH (M12 x 70) (See Tech Bulletin 074)	6
250	26516.15FR	STCP	26516.15FR	STCP	Protector, Shaft	1

**Bold part numbers are unique to a particular pump model.** R Components comply with RoHS Directive.

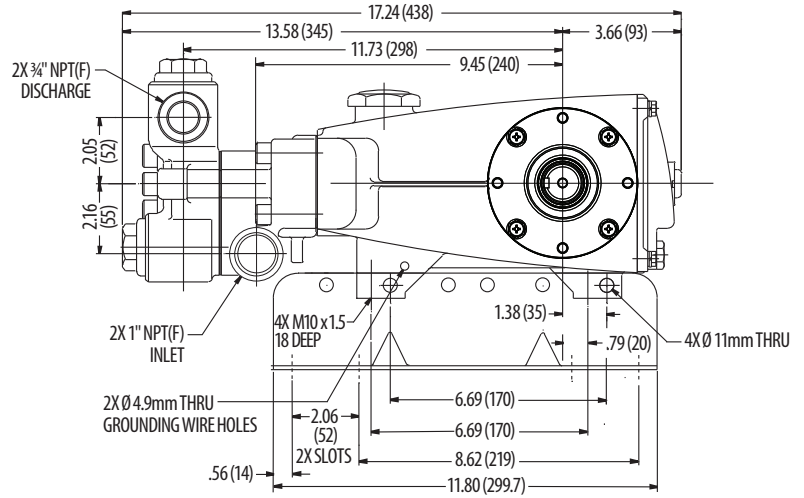
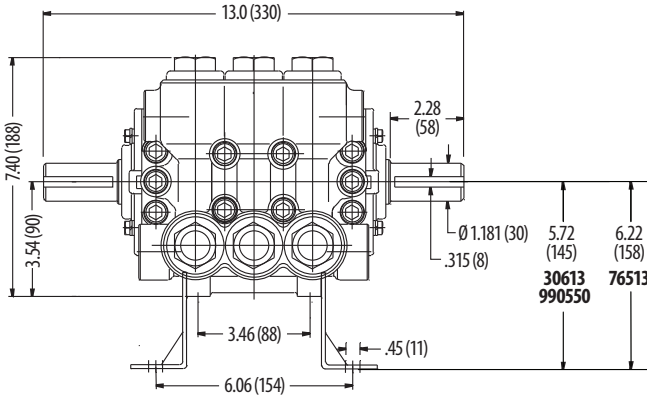
For additional technical information see [www.catpumps.com/literature/tech-bulletins](http://www.catpumps.com/literature/tech-bulletins). MATERIAL CODES (Not Part of Part Number):

AL=Aluminum ALE=Aluminum Epoxy BB=Brass CC=Ceramic CM=Chrome-moly CU=Copper FBB=Forged Brass FBR=Fiber  
 FCM=Forged Chrome-moly FPM=Fluorocarbon NBR=Medium Nitrile (Buna-N) PVDF=Polyvinylidene Fluoride PTFE=Pure Polytetrafluoroethylene  
 S=304SS SFTB=Special Blend PTFE Black SHS=304SS/High Strength SS=316SS SSHS=316SS/High Strength SSZZ=316SS/Zamak ST2=Special PTFE 2  
 STCP=Steel/Chrome Plated STL=Steel TNM=Special High Strength

# EXPLODED VIEW



Model  
Brass – 1530.44101  
Stainless Steel – 1531.44101  
June 2021



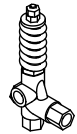
Models 1530.44101, 1531.44101

## REPAIR KITS AND PARTS

PART NUMBER	DESCRIPTION	QTY
76272 (1530.44101, 1531.44101)	Kit, Seal (Includes Items 97, 106, 112, 127, 155, 156)	1
76293 (1530.44101)	Kit, Valve (Includes Items 162, 163, 164, 166, 167, 168, 170, 172)	2
76281 (1531.44101)	Kit, Valve (Includes Items 162, 163, 164, 166, 167, 168, 170, 172)	2
6107	Oil, Bottle (21 oz) ISO 68 Hydraulic	2
30067/ 990036	Key (M8 x 7.5 x 25) / (M8 x 7 x 40)	1
6119	Lubricant, Antiseize (2 oz) – Model 1531.44101	1



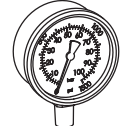
7022, 7022.100



7537.1100  
7531.1110



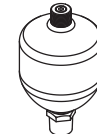
9940.0110  
9941.0110



6073

## OPTIONAL PARTS AND ACCESSORIES

PART NUMBER	DESCRIPTION	QTY
7022/ 7022.100	Regulator (Primary Pressure Control)	1
7537.1110/ 7531.1110	Relief Valve (Primary or Secondary Pressure Control)	1
9940.0110/ 9941.0110	Pop-Off Valve (Secondary Pressure Control)	1
6073	Pressure Gauge	1
6013	Pulsation Dampener	1
30613	Mount, Rail Assembly	1
76513	Mount, Rail Assembly	1
990550	Mount, Rail Assembly	1
76334	Kit, Oil Indicator (3/8" x 24") See Individual Data Sheet	1
34334	Kit, Oil Drain (3/8" x 24") See Individual Data Sheet	1
30696	Pliers (Reverse)	1
30264	Mount, Direct	1



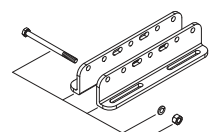
6013



34334



6107



30613

### CAUTIONS AND WARNINGS

All high-pressure systems require a primary pressure regulating device (i.e. regulator, unloader) and a secondary pressure relief device (i.e. pop-off valve, relief valve). Failure to install such relief devices could result in personal injury or damage to pump or property. Cat Pumps does not assume any liability or responsibility for the operation of a customer's high-pressure system. Read all CAUTIONS and WARNINGS before commencing service or operation of any high-pressure system. The CAUTIONS and WARNINGS are included in each Service Manual and with each Accessory Data sheet. CAUTIONS and WARNINGS can also be viewed online at [www.catpumps.com/dynamic-literature/cautions-and-warnings](http://www.catpumps.com/dynamic-literature/cautions-and-warnings) or can be requested directly from Cat Pumps.

### WARRANTY

View the Limited Warranty online at [www.catpumps.com/literature/cat-pumps-limited-warranty](http://www.catpumps.com/literature/cat-pumps-limited-warranty)

**CAT PUMPS** 1681 94th Lane N.E., Minneapolis, MN 55449-4324 P: (763) 780-5440 F: (763) 780-2958 E: [techsupport@catpumps.com](mailto:techsupport@catpumps.com) [www.catpumps.com](http://www.catpumps.com)

©2021 Cat Pumps Inc. All rights reserved. All data contained in this document are based on the latest product information available at the time of publication. Cat Pumps reserves the right to make changes at any time without notice.