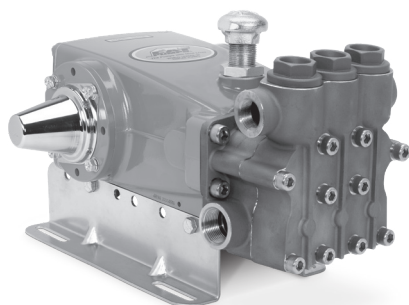


DATA SHEET

15 FRAME PLUNGER PUMPS



Stainless Steel **1541M.44101**
Model:



(Mounting rails sold separately)

FEATURES

- Field tested, high-pressure triplex pump configured for high-temperature TEG (triethylene glycol) applications up to 240° F/115° C. May be used in other high-temperature applications with liquids possessing adequate lubrication properties. Contact Cat Pumps for more information.
- Positive displacement technology delivers optimum energy efficiency.
- TEG* pump configuration option consists of following modifications:
 - FPM elastomers and O-ring material throughout the pump.
 - Chrome-plated steel vented oil filler cap assembly with brass adapter.
 - Stainless steel sight gauge assembly and aluminum adapter.
 - Aluminum seal retainers.
 - Special PTFE blended low-pressure seals and V-packings.

*TEG pump configuration is denoted by adding ".44101" to the end of the pump model.

SPECIFICATIONS	U.S. Measure	Metric Measure
Flow	19.3 gpm	73.0 lpm
Pressure Range	100–1200 psi	6.9–83 bar
Pump RPM*	1180 rpm	1180 rpm
Inlet Pressure Range	Flooded to 70 psi	Flooded to 4.8 bar
Max. Liquid Temperature	240° F	115° C
Bore	1.181"	30 mm
Stroke	1.181"	30 mm
Crankcase Capacity	42 oz	1.26 l
Inlet Ports (2)	1" NPT(F)	1" NPT(F)
Discharge Ports (2)	¾" NPT(F)	¾" NPT(F)
Shaft Diameter	1.181"	30 mm
Pulley Mounting	Either Side	Either Side
Weight	42.6 lbs	21 kg
Dimensions	14.61 x 12.99 x 8.27"	371 x 330 x 210 mm

*Pump minimum is 100 RPM.

ELECTRIC HORSEPOWER REQUIREMENTS

FLOW		PRESSURE				PUMP RPM	
GPM	LPM	PSI	BAR	PSI	BAR		
		800	55	1000	69		1200
		Horsepower*					
19.3	68	10.6 hp		13.2 hp		15.8 hp	1180

DETERMINING THE PUMP RPM

$$\frac{\text{Rated gpm}}{\text{Rated rpm}} = \frac{\text{Desired gpm}}{\text{Desired rpm}}$$

DETERMINING THE REQUIRED HP

$$\text{hp (Electric Brake)} = \frac{\text{gpm} \times \text{psi}}{1460}$$

DETERMINING MOTOR PULLEY SIZE

$$\frac{\text{Motor Pulley OD}}{\text{Pump rpm}} = \frac{\text{Pump Pulley OD}}{\text{Motor rpm}}$$

Refer to pump **Service Manual** for repair procedure and additional technical information.

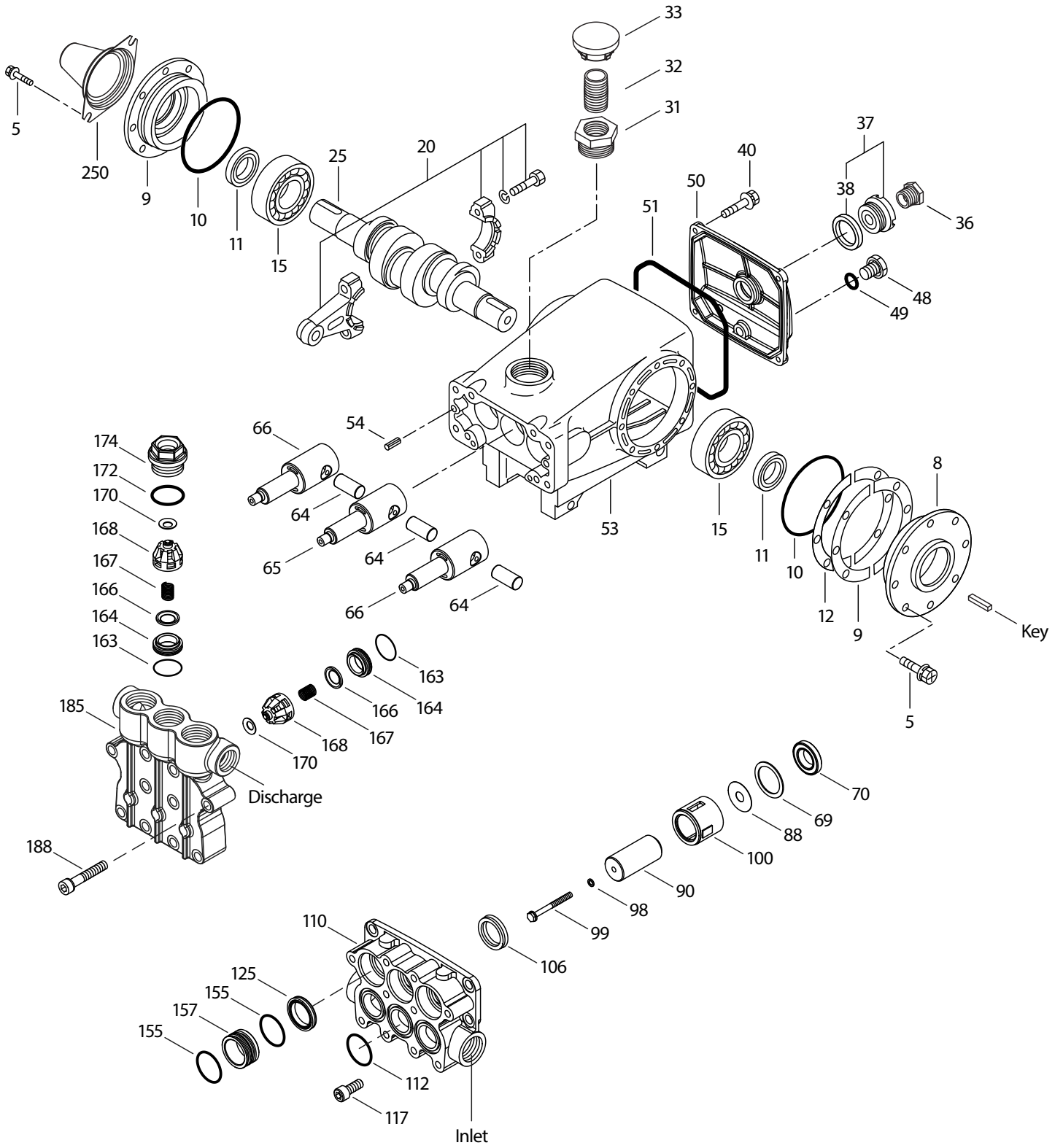
PARTS LIST

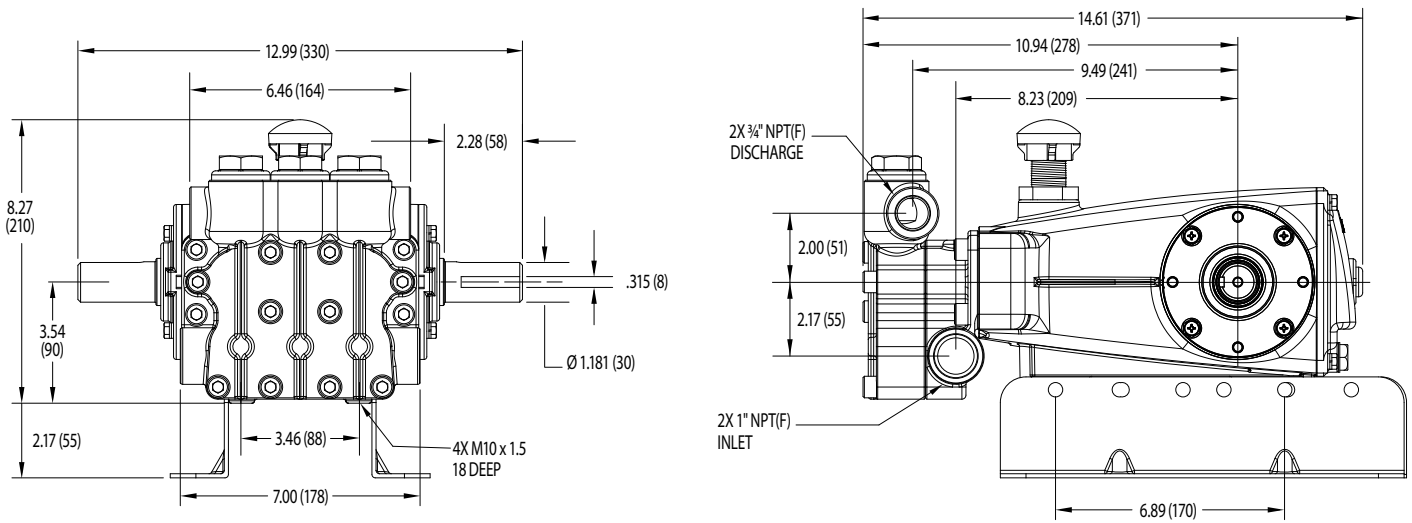
ITEM	PART NUMBER	MATL	DESCRIPTION	QTY
5	49651	S	Screw, HHC Sems (M8 x 20) (See Tech Bulletin 074, 128)	8
8	134805	ALE	Cover, Bearing (See Tech Bulletin 118, 128)	2
9	855043	FBR	Shim, Split 2-Piece (See Tech Bulletin 128)	0-2
10	76340	FPM	O-Ring, Bearing Cover-75D	2
11	76491	FPM	Seal, Oil, Crankshaft	2
12	855044	S	Shim, Split, 2-Piece (See Tech Bulletin 128)	0-2
15	39060	STL	Bearing, Roller	2
20	768600	TNM	Rod, Connecting Assembly (See Tech Bulletin 074)	3
25	43494	FCM	Crankshaft, Dual-End (M30)	1
31	76411	BB	Adapter, 3/4" NPT(F)	1
32	992623	BB	Nipple, Close 3/4" NPT(F)	1
33	76331	STCP	Cap, Vented	1
36	76792	SS	Gauge, Sight	1
37	76791	AL	Adapter, Sight	1
38	44428	NBR	Gasket, Flat, Adapter-80D	1
40	92542	S	Screw, HHC Sems (M6 x 20) (See Tech Bulletin 074)	4
48	25625	STCP	Plug, Drain (1/4" x 19 BSP)	1
49	30322	FPM	O-Ring, Drain Plug	1
50	133576	ALE	Cover, Rear (See Tech Bulletin 118)	1
51	76834	FPM	O-Ring, Rear Cover-75D	1
53	134858	ALE	Crankcase (Includes Guide Pins) (See Tech Bulletin 118, 128)	1
54	27488	S	Pin, Guide	2
64	763507	CM	Pin, Crosshead	3
65	76614	SS	Rod, Plunger (Center)	1
66	76612	SS	Rod, Plunger (Outside)	2
69	126596	STCP R	Washer, Oil Seal	3
70	76500	FPM	Seal, Oil Crankcase	3
75	48937	S	Slinger, Barrier	3
90	48938	CC	Plunger, Ceramic (M30 x 65)	3
98	48394	FPM	Washer, Seal-90D	3
99	48201	SS	Retainer, Plunger (See Tech Bulletin 074)	3
100	76926	AL	Retainer, Seal	3
106	702939	ST4	Seal, LPS with NIH-Spring	3
110	49614	SS	Manifold, Inlet	1
112	76903	FPM	O-Ring, Inlet Manifold - 80D	3
117	49044	S	Screw, HSH (M10 x 25) (See Tech Bulletin 074)	4
125	702945	ST4	Seal, HPS	3
155	76903	FPM	O-Ring, Spacer-80D	6
157	49621	SS	Spacer, HPS	3
163	14331	FPM	O-Ring, Seat-70D	6
164	49626	SS	Seat	6
166	48686	SS	Valve	6
167	48687	SS	Spring, Valve	6
168	48994	PVDF	Retainer, Spring	6
170	49627	SS	Washer, Spring Retainer	6
172	14183	FPM	O-Ring, Valve Plug	3
174	49628	SS	Plug, Valve (See Tech Bulletin 074)	3
185	49623	SS	Manifold, Discharge	1
188	87952	S	Screw, HSH (M10 x 55) (See Tech Bulletin 074)	10
250	26516.15FR	STCP	Protector, Shaft	1

R Components comply with RoHS Directive.

For additional technical information see www.catpumps.com/literature/tech-bulletins. MATERIAL CODES (Not Part of Part Number):
 AL=Aluminum ALE=Aluminum Epoxy BB=Brass CC=Ceramic CM=Chrome-moly FBR=Fiber FCM=Forged Chrome-moly FPM=Fluorocarbon NBR=Medium Nitrile (Buna-N)
 PVDF=Polyvinylidene Fluoride S=304SS SS=316SS ST4=Special PTFE 4 STCP=Steel/Chrome Plated STL=Steel TNM=Special High Strength

EXPLODED VIEW

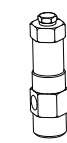




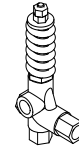
Model 1541M.44101

REPAIR KITS AND PARTS

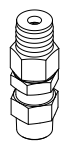
PART NUMBER	DESCRIPTION	QTY
76093	Kit, Seal (Includes Items 98, 106, 112, 125, 155)	1
76450	Kit, Valve (Includes Items 163, 164, 166, 167, 168, 170, 172)	2
6107	Oil, Bottle (21 oz) ISO 68 Hydraulic	2
30067/990036	Key (M8 x 7.5 x 25)/ (M8 x 7 x 40)	1
6119	Lubricant, Antiseize (2 oz)	1



7022.100



7531.1110



9941.0110

OPTIONAL PARTS AND ACCESSORIES

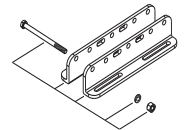
PART NUMBER	DESCRIPTION	QTY
7022.100	Regulator (Primary Pressure Control)	1
7531.1110	Relief Valve (Primary or Secondary Pressure Control)	1
9941.0110	Pop-Off Valve (Secondary Pressure Control)	1
6073	Pressure Gauge	1
6013	Pulsation Dampener	1
30613	Mount, Rail Assembly	1
76334	Kit, Oil Indicator (3/8" x 24") See Individual Data Sheet	1
34334	Kit, Oil Drain (3/8" x 24") See Individual Data Sheet	1
30696	Pliers (Reverse)	1
44050	Tool, Sight Gauge Removal	1



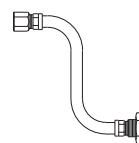
6073



6013



30613



34334



6107

⚠ CAUTIONS AND WARNINGS

All high-pressure systems require a primary pressure regulating device (i.e. regulator, unloader) and a secondary pressure relief device (i.e. pop-off valve, relief valve). Failure to install such relief devices could result in personal injury or damage to pump or property. Cat Pumps does not assume any liability or responsibility for the operation of a customer's high-pressure system. Read all CAUTIONS and WARNINGS before commencing service or operation of any high-pressure system. The CAUTIONS and WARNINGS are included in each Service Manual and with each Accessory Data sheet. CAUTIONS and WARNINGS can also be viewed online at www.catpumps.com/dynamic-literature/cautions-and-warnings or can be requested directly from Cat Pumps.

WARRANTY

View the Limited Warranty online at www.catpumps.com/literature/cat-pumps-limited-warranty

CAT PUMPS 1681 94th Lane N.E., Minneapolis, MN 55449-4324 P: (763) 780-5440 F: (763) 780-2958 E: techsupport@catpumps.com www.catpumps.com

©2021 Cat Pumps Inc. All rights reserved. All data contained in this document are based on the latest product information available at the time of publication. Cat Pumps reserves the right to make changes at any time without notice.