

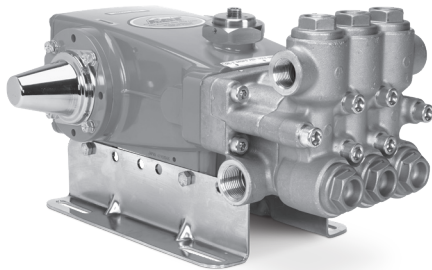
DATA SHEET

15 FRAME PLUNGER PUMPS



Brass Model: 1530.44101

Stainless Steel Model: 1531.44101



Model 1530.44101 Shown
(Mounting rails sold separately)

FEATURES

- Field tested, high-pressure triplex pump configured for high-temperature TEG (triethylene glycol) applications up to 240° F/115° C. May be used in other high-temperature applications with liquids possessing adequate lubrication properties. Contact Cat Pumps for more information.
- Positive displacement technology delivers optimum energy efficiency.
- TEG* pump configuration option consists of following modifications:
 - FPM elastomers and O-ring material throughout the pump.
 - Stainless steel vented oil filler cap assembly.
 - Stainless steel sight gauge assembly and aluminum adapter.
 - Aluminum seal retainers.
 - Special PTFE blended low-pressure seals and V-packings.

* TEG pump configuration is denoted by adding ".44101" to the end of the pump model.

SPECIFICATIONS

	U.S. Measure	Metric Measure
Flow	15.6 gpm	59 lpm
Pressure Range	100–1500 psi	6.9–103 bar
Pump RPM*	1450 rpm	1450 rpm
Inlet Pressure Range	Flooded to 70 psi	Flooded to 4.8 bar
Max. Liquid Temperature	240° F	115° C
Bore	0.984"	25 mm
Stroke	1.181"	30 mm
Crankcase Capacity	42 oz	1.26 l
Inlet Ports (2)	1" NPT(F)	1" NPT(F)
Discharge Ports (2)	¾" NPT(F)	¾" NPT(F)
Pulley Mounting	Either Side	Either Side
Shaft Diameter	1.181"	30 mm
Weight (1530)	55 lbs	25 kg
Weight (1531)	53 lbs	24 kg
Dimensions	17.24 x 12.99 x 7.40"	438 x 330 x 188 mm

* Pump minimum is 100 RPM

ELECTRIC HORSEPOWER REQUIREMENTS

FLOW		PRESSURE						PUMP RPM
GPM	LPM	PSI	BAR	PSI	BAR	PSI	BAR	
		1000	69	1200	83	1500	103	
Horsepower								
15.6	59	10.7 hp		12.8 hp		16.0 hp		1450

DETERMINING THE PUMP RPM

$$\frac{\text{Rated gpm}}{\text{Rated rpm}} = \frac{\text{Desired gpm}}{\text{Desired rpm}}$$

DETERMINING THE REQUIRED HP

$$\text{hp (Electric Brake)} = \frac{\text{gpm} \times \text{psi}}{1460}$$

DETERMINING MOTOR PULLEY SIZE

$$\frac{\text{Motor Pulley OD}}{\text{Pump rpm}} = \frac{\text{Pump Pulley OD}}{\text{Motor rpm}}$$

Refer to pump **Service Manual** for repair procedure and additional technical information.

PARTS LIST

ITEM	PART NUMBER	MATL	PART NUMBER	MATL	DESCRIPTION	QTY
	1530.44101		1531.44101			
5	126540	STCP R	49651	S	Screw, HHC Sems (M8 x 20) (See Tech Bulletin 074, 128)	8
8	134805	ALE	134805	ALE	Cover, Bearing (See Tech Bulletin 118, 128)	2
9	855043	FBR	855043	FBR	Shim, Split 2-Piece (See Tech Bulletin 128)	0-2
10	76340	FPM	76340	FPM	O-Ring, Bearing Cover-75D	2
11	76491	FPM	76491	FPM	Seal, Oil, Crankshaft	2
12	855044	S	855044	S	Shim, Split, 2-Piece (See Tech Bulletin 128)	0-2
15	39060	STL	39060	STL	Bearing, Roller	2
20	48600	TNM	48600	TNM	Rod, Connecting Assembly (See Tech Bulletin 074)	3
25	43494	FCM	43494	FCM	Crankshaft, Dual-End (M30)	1
32	997574	SS	997574	SS	Cap, Filler with O-Ring	1
36	76792	SS	76792	SS	Gauge, Sight	1
37	76791	AL	76791	AL	Adapter, Sight	1
38	44428	NBR	44428	NBR	Gasket, Flat, Adapter-80D	1
40	126541	STCP R	92542	S	Screw, HHC Sems (M6 x 20) (See Tech Bulletin 074)	4
48	25625	STCP	25625	STCP	Plug, Drain (1/4" x 19 BSP)	1
49	30322	FPM	30322	FPM	O-Ring, Drain Plug	1
50	133576	ALE	133576	ALE	Cover, Rear (See Tech Bulletin 118)	1
51	76834	FPM	76834	FPM	O-Ring, Rear Cover-75D	1
53	134889	ALE	134889	ALE	Crankcase (With Guide Pins) (See Tech Bulletin 118, 128)	1
54	27488	S	27488	S	Pin, Guide	2
64	43507	CM	43507	CM	Pin, Crosshead	3
65	48228	SHS	48360	SSHS	Rod, Plunger	3
69	126592	STCP R	126592	STCP R	Washer, Oil Seal	3
70	76500	FPM	76500	FPM	Seal, Oil Crankcase	3
75	43506	S	43506	S	Slinger, Barrier	3
90	48606	CC	48606	CC	Plunger, Ceramic (M25 x 92)	3
95	—	—	89651	SS	Stud, Plunger Retainer (M6 x 70)	3
96	43235	PTFE	43235	PTFE	Backup Ring, Plunger Retainer	3
97	14160	FPM	14160	FPM	O-Ring, Plunger Retainer-80D	3
98	45891	CU	44041	SS	Gasket, Plunger Retainer	3
99	104360	S	44031	SS	Retainer, Plunger (See Tech Bulletin 074)	3
100	769509	AL	769509	AL	Retainer, Seal	3
106	76086	ST2	76086	ST2	Seal, LPS with S-Spring	3
110	48608	FBB	48683	SS	Manifold, Inlet	1
112	11719	FPM	11719	FPM	O-Ring, Inlet Manifold	3
117	126515	STCP R	87952	S	Screw, HSH (M10 x 55) (See Tech Bulletin 074)	4
126	48538	BB	76667	SS	Adapter, Female	3
127	703050	SFTB	703050	SFTB	V-Packing	6
128	48539	BB	113025	SS	Adapter, Male	3
141	48672	SS	48672	SS	Spring, Coil	18
142	48550	BB	48670	SS	Spacer, with Coil Springs	3
155	14183	FPM	14183	FPM	O-Ring, Spacer	6
156	28243	PTFE	28243	PTFE	Backup Ring, Spacer	6
162	44614	PTFE	44614	PTFE	Backup Ring, Seat	6
163	14330	FPM	14330	FPM	O-Ring, Seat-70D	6
164	48596	S	48688	SS	Seat	6
166	48686	SS	48686	SS	Valve	6
167	48687	SS	48687	SS	Spring, Valve	6
168	44735	PVDF	44735	PVDF	Retainer, Spring	6
170	44794	SS	44794	SS	Washer, Spring Retainer	6
171	48689	SS	48689	SS	Spring, Coil	6
172	14183	FPM	14183	FPM	O-Ring, Valve Plug	6
174	48597	FBB	49294	SSZZ	Plug, Valve	6
185	48610	FBB	48685	SS	Manifold, Discharge	1
188	126519	STCP R	89981	S	Screw, HSH (M12 x 70) (See Tech Bulletin 074)	6
250	26516.15FR	STCP	26516.15FR	STCP	Protector, Shaft	1

Bold part numbers are unique to a particular pump model. R Components comply with RoHS Directive.

For additional technical information see www.catpumps.com/literature/tech-bulletins. MATERIAL CODES (Not Part of Part Number):

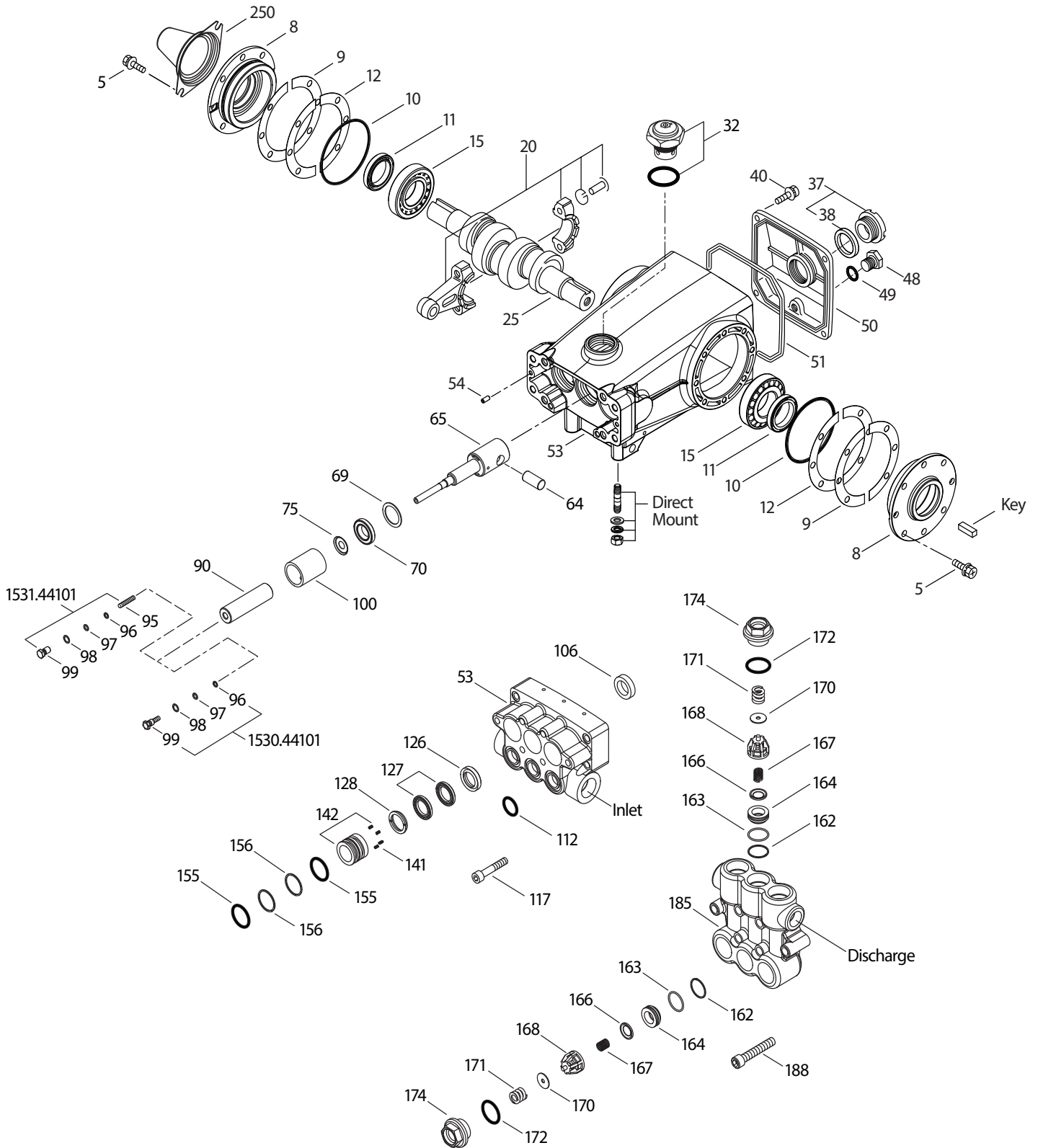
AL=Aluminum ALE=Aluminum Epoxy BB=Brass CC=Ceramic CM=Chrome-moly CU=Copper FBB=Forged Brass FBR=Fiber

FCM=Forged Chrome-moly FPM=Fluorocarbon NBR=Medium Nitrile (Buna-N) PVDF=Polyvinylidene Fluoride PTFE=Pure Polytetrafluoroethylene

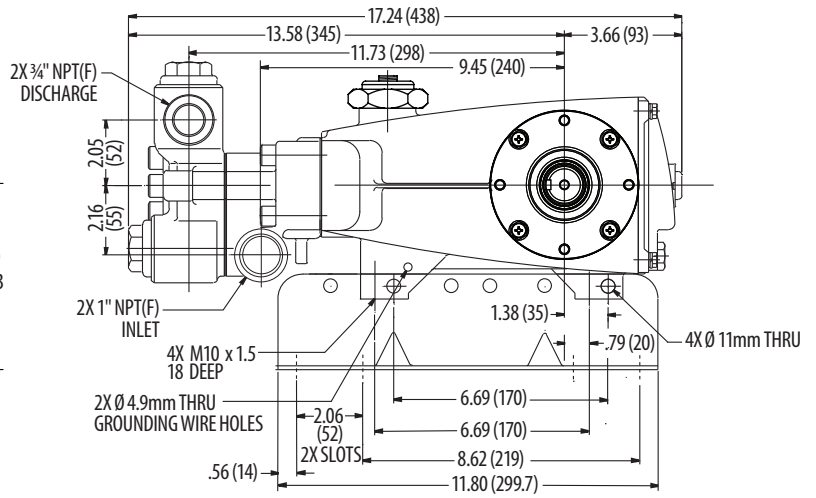
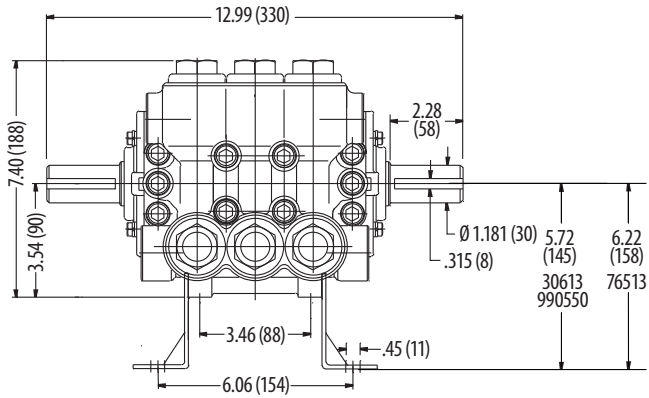
S=304SS SFTB=Special Blend PTFE Black SHS=304SS/High Strength SS=316SS SSS=316SS/High Strength SSZZ=316SS/Zamak ST2=Special PTFE 2

STCP=Steel/Chrome Plated STL=Steel TNM=Special High Strength

EXPLODED VIEW



Model
Brass – 1530.44101
Stainless Steel – 1531.44101
January 2022



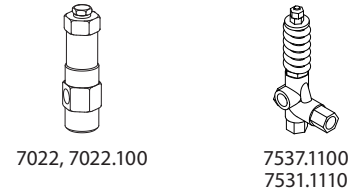
Models 1530.44101, 1531.44101

REPAIR KITS AND PARTS

PART NUMBER	DESCRIPTION	QTY
76272 (1530.44101, 1531.44101)	Kit, Seal (Includes Items 97, 106, 112, 127, 155, 156)	1
76293 (1530.44101)	Kit, Valve (Includes Items 162, 163, 164, 166, 167, 168, 170, 172)	2
76281 (1531.44101)	Kit, Valve (Includes Items 162, 163, 164, 166, 167, 168, 170, 172)	2
6107	Oil, Bottle (21 oz) ISO 68 Hydraulic	2
30067/ 990036	Key (M8 x 7.5 x 25) / (M8 x 7 x 40)	1
6139	Lubricant, Antiseize (8 oz) – Model 1531.44101	1

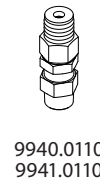
OPTIONAL PARTS AND ACCESSORIES

PART NUMBER	DESCRIPTION	QTY
7022/ 7022.100	Regulator (Primary Pressure Control)	1
7537.1110/ 7531.1110	Valve, Relief (Primary or Secondary Pressure Control)	1
9940.0110/ 9941.0110	Valve, Pop-Off (Secondary Pressure Control)	1
6073	Gauge, Pressure	1
6013	Dampener, Pulsation	1
30613	Assembly, Rail	1
76513	Assembly, Rail	1
990550	Assembly, Rail	1
30264	Kit, Direct Mount	1
76334	Kit, Oil Indicator (3/8" x 24") See Individual Data Sheet	1
34334	Kit, Oil Drain (3/8" x 24") See Individual Data Sheet	1
30696	Pliers (Reverse)	1



7022, 7022.100

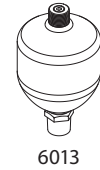
7537.1100
7531.1110



9940.0110
9941.0110



6073



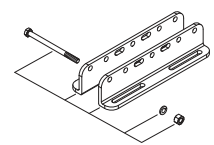
6013



34334



6107



30613

⚠ CAUTIONS AND WARNINGS

All high-pressure systems require a primary pressure regulating device (i.e. regulator, unloader) and a secondary pressure relief device (i.e. pop-off valve, relief valve). Failure to install such relief devices could result in personal injury or damage to pump or property. Cat Pumps does not assume any liability or responsibility for the operation of a customer's high-pressure system. Read all CAUTIONS and WARNINGS before commencing service or operation of any high-pressure system. The CAUTIONS and WARNINGS are included in each Service Manual and with each Accessory Data sheet. CAUTIONS and WARNINGS can also be viewed online at www.catpumps.com/dynamic-literature/cautions-and-warnings or can be requested directly from Cat Pumps.

WARRANTY

View the Limited Warranty online at www.catpumps.com/literature/cat-pumps-limited-warranty