

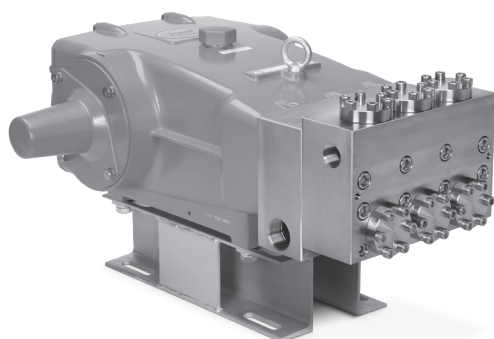
# DATA SHEET

## 68 FRAME BLOCK-STYLE PLUNGER PUMP



**Stainless Steel  
Model:**

**6832**



Model 6832 Shown  
(Box rail and shaft protector included)

### FEATURES

- Triplex plunger design ensures high efficiency and low pulsation.
- V-Packings and low-pressure seals are completely lubricated and cooled, greatly increasing service life.
- Special high-density, polished, concentric ceramic plungers provide a true wear surface and extended seal life.
- Pump comes standard with NBR seals. Alternative seal materials are available for higher temperature or chemical compatibility.

SPECIFICATIONS	U.S. Measure	Metric Measure
Flow	40 gpm	151 lpm
Pressure Range	100–2300 psi	6.9–159 bar
Pump RPM*	625 rpm	625 rpm
Inlet Pressure Range	Flooded to 50 psi	Flooded to 3.5 bar
Max. Liquid Temperature	140° F	60° C
<b>Alternate seals available for higher temperatures up to 180° F</b>		
Bore	1.575"	40 mm
Stroke	2.579"	65.5 mm
Crankcase Capacity	10 qts	9.46 l
Inlet Ports (2)	1½" NPT(F)	1½" NPT(F)
Discharge Ports (2)	1" NPT(F)	1" NPT(F)
Shaft Diameter	1.772"	45 mm
Weight	413 lbs	187 kg
Dimensions	29.72 x 24.02 x 12.00"	755 x 610 x 305 mm

\*Pump minimum is 100 RPM.

### ALTERNATIVE SEAL CONFIGURATION

MATERIAL	SUFFIX CODE	MAXIMUM TEMPERATURE
NBR	—	140° F (60° C)
FPM	.0110	180° F (82° C)

See **Tech Bulletin 002** for inlet conditions and RPM at high-temperature.

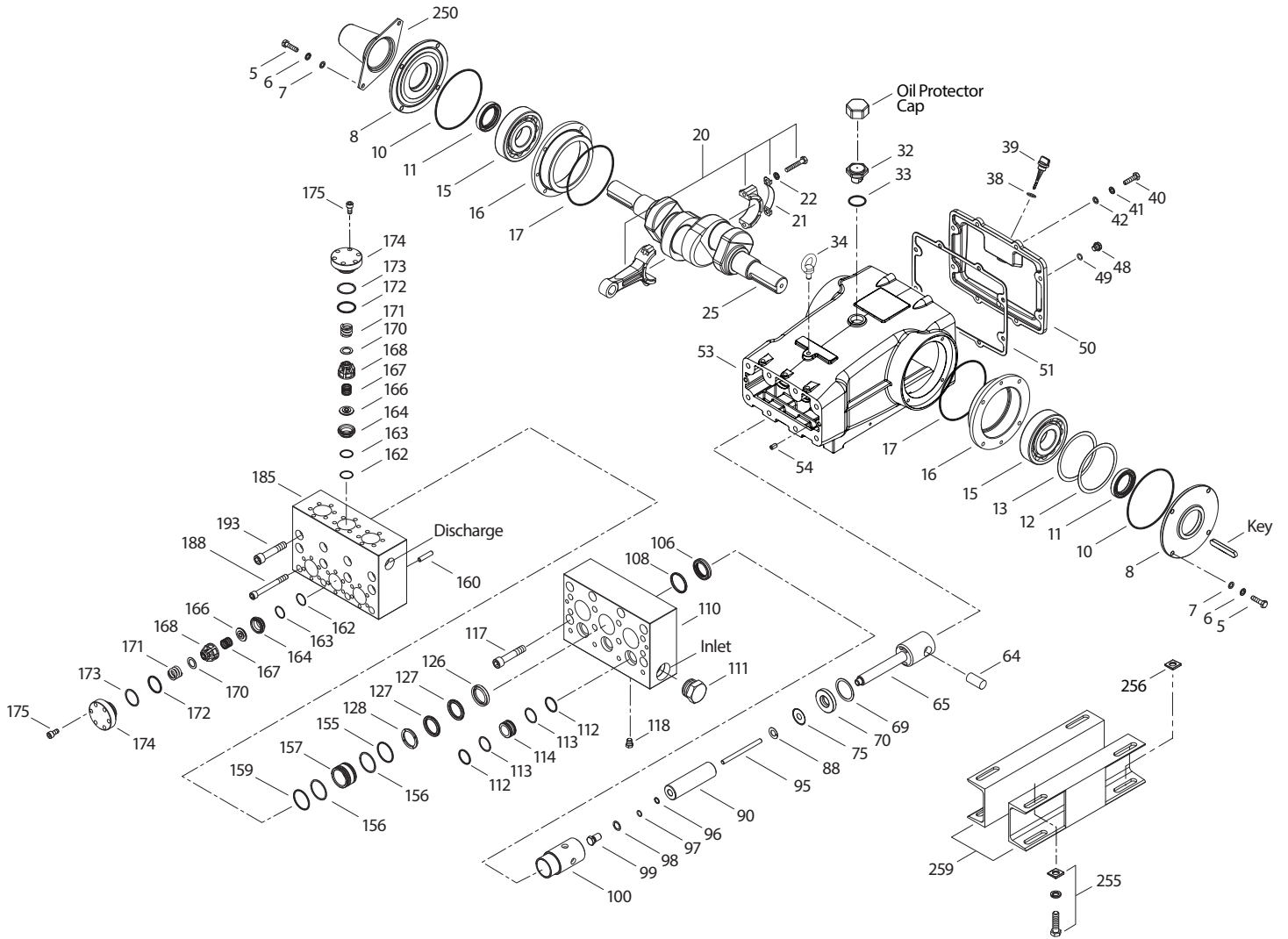
<b>DETERMINING THE PUMP RPM</b>	Rated gpm Rated rpm	=	Desired gpm Desired rpm
<b>DETERMINING THE REQUIRED HP</b>	hp (Electric Brake)	=	$\frac{\text{gpm} \times \text{psi}}{1460}$
<b>DETERMINING MOTOR PULLEY SIZE</b>	Motor Pulley OD Pump rpm	=	$\frac{\text{Pump Pulley OD}}{\text{Motor rpm}}$

Refer to pump **Service Manual** for repair procedure and additional technical information.

# PARTS LIST

ITEM	PART NUMBER	MATL	DESCRIPTION	QTY
5	89728	S	Screw, HH (M10 x 40) (See Tech Bulletin 074)	8
6	15847	S	Lockwasher (M10)	8
7	19934	S	Washer, Flat (M10)	8
8	29443	ALE	Cover, Bearing, Outer (See Tech Bulletin 118)	2
10	29444	NBR	O-Ring, Bearing Cover-70D	2
11	11443	NBR	Seal, Oil, Crankshaft	2
12	126594	STCP R	Washer, Shim (M120 x 0.3)	0-2
13	126595	STCP R	Washer, Shim (M120 x 0.5)	0-2
15	29441	STL	Bearing, Roller	2
16	29442	STL	Cover Bearing, Inner	2
17	29444	NBR	O-Ring, Bearing Cover-70D	2
20	126612	BBHS	Assembly, Connecting Rod (Includes: 21, 22) (See Tech Bulletin 074)	3
21	126560	STCP R	Washer, Locking	3
22	126593	STCP R	Washer, Shim (M10.5x1.5)	6
25	29440	FCM	Crankshaft, Dual End (M65.5)	1
32	43211	ABS	Cap, Oil Filler	1
33	14177	NBR	O-Ring, Filler Cap-70D	1
34	126743	STCP R	Bolt, Eye (M12) (For Lifting Pump Only)	1
38	129343	RBR	Gasket, Flat Flex	1
39	27769	ABS	Stick, Dip	1
40	89627	S	Screw, HH (M10 x 30) (See Tech Bulletin 074)	8
41	15847	S	Lockwasher (M10)	8
42	19934	S	Washer, Flat (M10)	8
48	25625	STCP	Plug, Drain (1/4" x 19 BSP)	1
49	23170	NBR	O-Ring, Drain Plug-70D	1
50	29438	ALE	Cover, Rear (See Tech Bulletin 118)	1
51	129386	NBR	Gasket, Rear Cover	1
53	133667	ALE	Crankcase (Includes: 34, 54) (See Tech Bulletin 118)	1
54	43282	S	Pin, Guide	2
64	29481	CM	Pin, Crosshead	3
65	48735	SSZZ	Rod, Plunger	3
69	126588	STCP R	Washer, Oil Seal	3
70	29454	NBR	Seal, Oil, Crankcase	3
75	43865	S	Slinger, Barrier	3
88	45676	S	Washer, Keyhole (M16)	3
90	43921	CC	Plunger (M40 x 145)	3
95	89778	SS	Stud, Plunger Retainer (M10 x 135)	3
96	20189	PTFE	Backup Ring, Plunger Retainer	3
97	11345	NBR	O-Ring, Plunger Retainer-70D	3
98	701958	SSD	Gasket, Plunger Retainer	3
99	701957	SSD	Retainer, Plunger (M10) (See Tech Bulletin 074)	3
100	703084	D	Retainer, Seal	3
106	44113	NBR	Seal, Low-Pressure with SS-Spring	3
108	701948	SSD	Spacer, Low-Pressure Seal	3
110	704185	SSD	Manifold Inlet, Block-Style	1
111	701983	SSD	Plug, Inlet Manifold (1 1/2" NPT[M])	1
112	701632	NBR	O-Ring, Spacer, Inlet	6
113	701329	PTFE	Backup Ring, Spacer, Inlet	6
114	704356	SSD	Spacer, Inlet	3
117	89694	S	Screw, HSH (M16 x 110) (See Tech Bulletin 074)	6
118	701676	SSD	Plug (1/4" NPT[M])	3
126	48391	D	Adapter, Female	3
127	44609	STG	V-Packing	6
128	701950	SSD	Adapter, Male	3
155	48860	NBR	O-Ring, V-Packing Spacer, Inner-90D	3
156	48362	D	Backup Ring, V-Packing Spacer	6
157	701952	SSD	Spacer, V-Packing	3
159	48860	NBR	O-Ring, V-Packing Spacer, Outer-90D	3
160	44756	S	Pin, Guide	2
162	48363	D	Backup Ring, Seat	6
163	26142	NBR	O-Ring, Seat-80D	6
164	701956	SSD	Seat	6
166	701955	SSD	Valve	6
167	701962	NIH	Spring	6
168	44728	PVDF	Retainer, Spring	6
170	701959	SSD	Washer, Retainer	6
171	701961	HC	Spring, Coil	6
172	89827	NBR	O-Ring, Valve Plug-90D	6
173	48364	D	Backup Ring, Valve Plug	6
174	704187	SSD	Plug, Valve	6
175	87951	S	Screw, HSH (M10 x 30) (See Tech Bulletin 074)	36
185	704186	SSD	Manifold, Discharge, Block-Style	1
188	701279	S	Screw, HSH (M12 x 100), Lower (See Tech Bulletin 074)	4
193	89694	S	Screw, HSH (M16 x 110), Upper (See Tech Bulletin 074)	8
250	29445	ALE	Protector, Shaft (See Tech Bulletin 118)	1
255	33243	STZP	Mount, Direct	1
256	29649	STCP	Washer, Slant (M16) (To Shim and Align Mounting Bolts [Not Included] Through the Box Rail and Mounting Base)	4
259	126604	STCP R	Rail, Box	2

# EXPLODED VIEW



Model  
Stainless Steel – 6832  
May 2022

## OPTIONAL PARTS AND ACCESSORIES

PART	DESCRIPTION	QTY
43048	Key (M14 x 9 x 90)	1
828710	Protector, Oil Cap with Foam Gasket	1
990014	Hub, "B", M45 with Keyway (Not Shown)	1
34314	Kit, Oil Drain (3/8" x 48") (Not Shown)	1
88902	Stud (M16 x 277) (For Removal of DM and IM) (Not Shown)	2
819010	Assembly, Crankcase, Cast Iron Conversion (Not Shown)	1

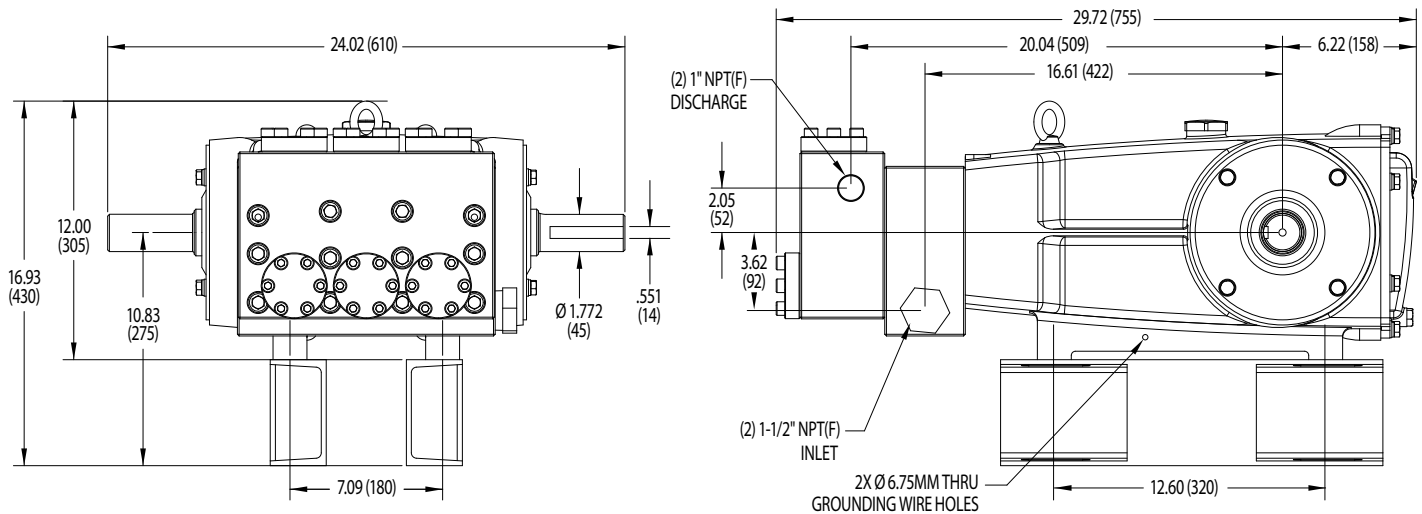
## SERVICE PARTS

PART	DESCRIPTION	QTY
<b>701647</b>	Kit, Seal – Standard NBR	1
<b>702770</b>	Kit, Valve – Standard NBR	2
6102	Oil, Jug (2.5 gal) ISO-68 Hydraulic (Fill to Specified Crankcase Capacity Prior to Start-up)	1
6124	Gasket, Liquid (3 oz)	1
6139	Lubricant, Anti-seize (8 oz) (See Tech Bulletin 095)	1
901390	Head, Complete, Block-Style with NBR Seals and O-Rings	1

**Bold print part numbers are unique to a particular pump model.**

R Components comply with RoHS Directive. For additional technical information see [www.catpumps.com/literature/tech-bulletins](http://www.catpumps.com/literature/tech-bulletins).

MATERIAL CODES (Not Part of Part Number): ABS=ABS Plastic ALE=Aluminum Epoxy BBHS=Brass/High Strength CC=Ceramic CM=Chrome-Moly D=Acetal F=Cast Iron FCM=Forged Chrome-moly FPM=Fluorocarbon NBR=Medium Nitrile (Buna-N) HC=Ni-Cr-Mo w/ Alloy NIH=High Nickel Alloy PE=Polyethylene PTFE=Pure Polytetrafluoroethylene PVDF=Polyvinylidene Fluoride RBR=Rubber S=304SS SFG=Special Blend FPM SS=316SS SSD=Duplex Stainless SSZZ=316SS/Zamak STG=Special Blend PTFE White STL=Steel STCP=Steel/Chrome Plated STZP=Steel/Zinc Plated



### SEAL KITS One (1) seal kit required per pump

PUMP MODEL	NBR (STD)	FPM (.0110)
	6832	701647 *

ITEM (Included in Seal Kits)	PART NUMBER	DESCRIPTION	QTY
97	11345	O-Ring, Plunger Retainer	3
106	44113	Seal, Low-Pressure with SS-Spring	3
112	701632	O-Ring, Inlet Spacer	6
113	701329	Backup Ring, Inlet Spacer	6
127	44609	V-Packing, Set (6 Piece)	3
155	48860	O-Ring, V-Packing Spacer	3
156	48362	Backup Ring, V-Packing Spacer	6
159	48860	O-Ring, V-Packing Spacer	3

\* Review material codes for individual items (STG generally may be used as alternative)

### VALVE KITS Two (2) valve kits required per pump

PUMP MODEL	NBR (STD)	FPM (.0110)
	6832	702770

ITEM (Included in Valve Kits)	PART NUMBER	DESCRIPTION	QTY
162	48363	Backup Ring, Valve Seat	3
163	26142	O-Ring, Valve Seat	3
164	701956	Seat	3
166	701955	Valve	3
167	701962	Spring	3
168	44728	Retainer, Spring	3
170	701959	Washer, Spring Retainer	3
172	89827	O-Ring, Valve Plug	3
173	48364	Backup Ring, Valve Plug	3

#### ⚠ CAUTIONS AND WARNINGS

All high-pressure systems require a primary pressure regulating device (i.e. regulator, unloader) and a secondary pressure relief device (i.e. pop-off valve, relief valve). Failure to install such relief devices could result in personal injury or damage to pump or property. Cat Pumps does not assume any liability or responsibility for the operation of a customer's high-pressure system. Read all CAUTIONS and WARNINGS before commencing service or operation of any high-pressure system. The CAUTIONS and WARNINGS are included in each Service Manual and with each Accessory Data sheet. CAUTIONS and WARNINGS can also be viewed online at [www.catpumps.com/dynamic-literature/cautions-and-warnings](http://www.catpumps.com/dynamic-literature/cautions-and-warnings) or can be requested directly from Cat Pumps.

#### WARRANTY

View the Limited Warranty online at [www.catpumps.com/literature/cat-pumps-limited-warranty](http://www.catpumps.com/literature/cat-pumps-limited-warranty)