

# DATA SHEET

## 68 FRAME BLOCK-STYLE PLUNGER PUMPS

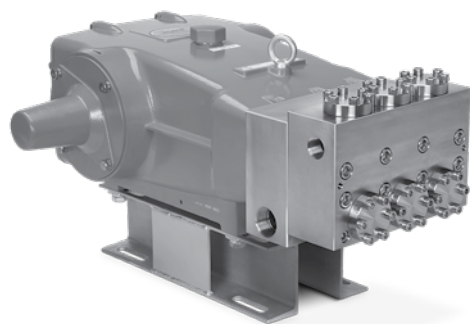


**Stainless Steel  
with Bronze  
Model:** **6835**

**Stainless Steel  
with Bronze  
Flushed Model:** **6835K**

Manifold and valve assemblies are 316 stainless steel. Internal 6-piece packing assembly includes bronze adapters, PPS spacers and SFTK V-packings.

See Parts List to confirm material compatibility with the fluid pumped before use.



Model 6835 Shown  
(Box rails and shaft protector included)

### FEATURES

- Triplex plunger design ensures high efficiency and low pulsation.
- Special SFTK V-packings with bronze adapters and PPS spacers provide extra stability at high pressure and extend seal life.
- Pre-set low-pressure seals provide secondary protection against external leaks and require no packing adjustment.
- Model 6835K provides an external flush for higher temperatures or low-lubricity liquids.
- Pump comes standard with NBR seals. Alternative seal materials are available for higher temperature or chemical compatibility.

SPECIFICATIONS	U.S. Measure	Metric Measure
Flow	40 gpm	151 lpm
Pressure Range	100–3000 psi	6.9–207 bar
Pump RPM*	625 rpm	625 rpm
Inlet Pressure Range	Flooded to 50 psi	Flooded to 3.5 bar
Max. Liquid Temp. (NBR)	140° F	60° C
<b>Alternate seals available for higher temperatures up to 180° F</b>		
Bore	1.575"	40 mm
Stroke	2.579"	65.5 mm
Crankcase Capacity	10 qts	9.46 l
Inlet Ports (2)	1½" NPT(F)	1½" NPT(F)
Flushing Ports (2) ("K")	½" NPT(F)	½" NPT(F)
Discharge Ports (2)	1" NPT(F)	1" NPT(F)
Shaft Diameter	1.772"	45 mm
Weight	355 lbs	161 kg
Dimensions	29.72 x 24.02 x 12.00"	755 x 610 x 305 mm

\*Pump minimum is 100 rpm.

### ALTERNATIVE SEAL CONFIGURATION

MATERIAL	SUFFIX CODE	MAXIMUM TEMPERATURE	
NBR	—	140° F	(60° C)
FPM	.0110	180° F	(82° C)
EPDM	.0220	160° F	(71° C)

See **Tech Bulletin 002** for inlet conditions and RPM at higher temperatures.

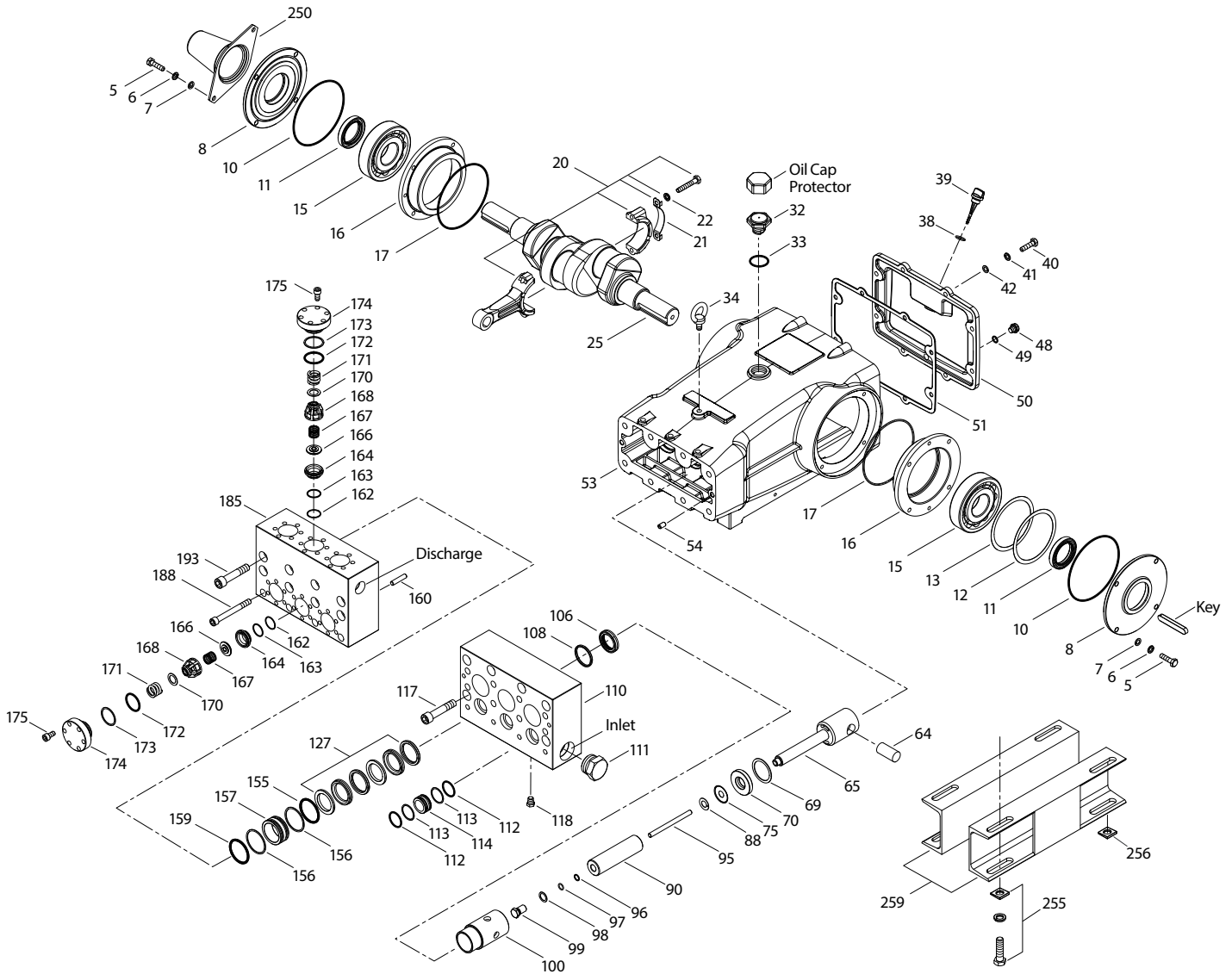
<b>DETERMINING THE PUMP RPM</b>	$\frac{\text{Rated gpm}}{\text{Rated rpm}}$	=	$\frac{\text{Desired gpm}}{\text{Desired rpm}}$
<b>DETERMINING THE REQUIRED HP</b>	$\frac{\text{hp (Electric Brake)}}{1460}$	=	$\frac{\text{gpm} \times \text{psi}}{1460}$
<b>DETERMINING MOTOR PULLEY SIZE</b>	$\frac{\text{Motor Pulley OD}}{\text{Pump rpm}}$	=	$\frac{\text{Pump Pulley OD}}{\text{Motor rpm}}$

Refer to pump **Service Manual** for repair procedure and additional technical information.

# PARTS LIST

ITEM	PART NUMBER	MATL	PART NUMBER	MATL	DESCRIPTION	QTY
	<b>6835</b>		<b>6835K</b>			
5	89728	S	89728	S	Screw, HH (M10 x 40) (See Tech Bulletin 074)	8
6	15847	S	15847	S	Lockwasher (M10)	8
7	19934	S	19934	S	Washer, Flat (M10)	8
8	29443	ALE	29443	ALE	Cover, Bearing, Outer (See Tech Bulletin 118)	2
10	29444	NBR	29444	NBR	O-Ring, Bearing Cover-70D	2
11	11443	NBR	11443	NBR	Seal, Oil, Crankshaft	2
12	126594	STCP R	126594	STCP R	Washer, Shim (M120 x 0.3)	0-2
13	126595	STCP R	126595	STCP R	Washer, Shim (M120 x 0.5)	0-2
15	29441	STL	29441	STL	Bearing, Roller	2
16	29442	STL	29442	STL	Cover Bearing, Inner	2
17	29444	NBR	29444	NBR	O-Ring, Bearing Cover-70D	2
20	126612	BBHS	126612	BBHS	Assembly, Connecting Rod (Includes: 21, 22) (See Tech Bulletin 074)	3
21	126560	STCP R	126560	STCP R	Washer, Locking	3
22	126593	STCP R	126593	STCP R	Washer, Shim (M10.5 x 1.5)	6
25	29440	FCM	29440	FCM	Crankshaft, Dual Shaft (65.5 mm)	1
32	43211	ABS	43211	ABS	Cap, Oil Filler	1
33	14177	NBR	14177	NBR	O-Ring, Filler Cap-70D	1
34	126743	STCP R	126743	STCP R	Bolt, Eye (M12) (For Lifting Pump Only)	1
38	129343	RBR	129343	RBR	Gasket, Flat Flex	1
39	27769	ABS	27769	ABS	Stick, Dip	1
40	89627	S	89627	S	Screw, HH (M10 x 30) (See Tech Bulletin 074)	8
41	15847	S	15847	S	Lockwasher (M10)	8
42	19934	S	19934	S	Washer, Flat (M10)	8
48	25625	STCP	25625	STCP	Plug, Drain (1/4" x 19 BSP)	1
49	23170	NBR	23170	NBR	O-Ring, Drain Plug-70D	1
50	29438	ALE	29438	ALE	Cover, Rear (See Tech Bulletin 118)	1
51	129386	NBR	129386	NBR	Gasket, Rear Cover	1
53	133667	ALE	133667	ALE	Crankcase (Includes: 34, 54) (See Tech Bulletin 118)	1
54	43282	S	43282	S	Pin, Guide	2
64	29481	CM	29481	CM	Pin, Crosshead	3
65	48735	SSZZ	48735	SSZZ	Rod, Plunger	3
69	126588	STCP R	126588	STCP R	Washer, Oil Seal	3
70	29454	NBR	29454	NBR	Seal, Oil, Crankcase	3
75	43865	S	43865	S	Slinger, Barrier	3
88	45676	S	45676	S	Washer, Keyhole (M16)	3
90	43921	CC	43921	CC	Plunger (M40 x 145)	3
95	89778	SS	89778	SS	Stud, Plunger Retainer (M10 x 135)	3
96	20189	PTFE	20189	PTFE	Backup Ring, Plunger Retainer	3
97	11345	NBR	11345	NBR	O-Ring, Plunger Retainer-70D	3
98	44085	SS	44085	SS	Gasket, Plunger Retainer	3
99	44084	SS	44084	SS	Retainer, Plunger (M10) (See Tech Bulletin 074)	3
100	703084	D	703084	D	Retainer, Seal	3
106	44113	NBR	44113	NBR	Seal, Low-Pressure, with SS-Spring	3
108	45381	SS	45381	SS	Spacer, Low-Pressure	3
110	<b>701321</b>	SS	—	—	Manifold Inlet, Block-Style	1
	—	—	<b>701322</b>	SS	Manifold Inlet, Block-Style, Flushed (Model 6835K)	1
111	701116	SS	701116	SS	Plug, Inlet Manifold (1 1/2" NPT[M])	1
112	701632	NBR	701632	NBR	O-Ring, Spacer	6
113	701329	PTFE	701329	PTFE	Backup Ring, Spacer	6
114	701327	SS	701327	SS	Spacer, Inlet	3
117	89694	S	89694	S	Screw, HSH (M16 x 110) (See Tech Bulletin 074)	6
118	<b>701077</b>	SS	—	—	Plug (1/4" NPT[M])	3
127	76368	SFTK	76368	SFTK	V-Packing Set (6-Pieces): (2) Bronze Adapters, (2) SFTK V-Packings, (2) Polyphenylene Sulfide Spacers	3
155	48860	NBR	48860	NBR	O-Ring, V-Packing Cylinder, Inner-90D	3
156	48362	D	48362	D	Backup Ring, V-Packing Spacer	6
157	76369	SS	76369	SS	Cylinder, V-Packing	3
159	48860	NBR	48860	NBR	O-Ring, V-Packing Cylinder, Outer-90D	3
160	44756	S	44756	S	Pin, Guide	2
162	48363	D	48363	D	Backup Ring, Seat	6
163	26142	NBR	26142	NBR	O-Ring, Seat-80D	6
164	44612	SS	44612	SS	Seat	6
166	44108	SS	44108	SS	Valve	6
167	44109	SS	44109	SS	Spring	6
168	44728	PVDF	44728	PVDF	Retainer, Spring	6
170	44729	SS	44729	SS	Washer, Retainer	6
171	44644	SS	44644	SS	Spring, Coil	6
172	89827	NBR	89827	NBR	O-Ring, Valve Plug-90D	6
173	48364	D	48364	D	Backup Ring, Valve Plug	6
174	701432	SS	701432	SS	Plug, Valve	6
175	87951	S	87951	S	Screw, HSH (M10 x 30) (See Tech Bulletin 074)	36
185	701431	SS	701431	SS	Manifold, Discharge, Block-Style	1
188	701279	S	701279	S	Screw, HSH (M12 x 100), Lower (See Tech Bulletin 074)	4
193	89694	S	89694	S	Screw, HSH (M16 x 110), Upper (See Tech Bulletin 074)	8
250	29445	ALE	29445	ALE	Protector, Shaft (See Tech Bulletin 118)	1
255	33243	STZP	33243	STZP	Kit, Mount (Included with Pump)	1
256	29649	STCP	29649	STCP	Washer, Slant (M16) Use for Adjustment Between Rail and Mounting Base (Included with Pump)	4
259	126604	STCP R	126604	STCP R	Rail, Box (Included with Pump)	2

# EXPLODED VIEW



Models  
6835, 6835K  
July 2022

## OPTIONAL PARTS AND ACCESSORIES

PART	DESCRIPTION	QTY
43048	Key (M14 x 9 x 90)	1
828710	Protector, Oil Cap with Foam Gasket	1
990014	Hub, "B", 45 mm (Not Shown)	1
34314	Kit, Oil Drain (3/8" x 48") (Not Shown)	1
819010	Assembly, Crankcase, Cast Iron Conversion (Not Shown)	1
990663	Assembly, Flushing, 5 gal, 115V, 1.1 amp, 1/2" NPT, (Model 6835K)	1

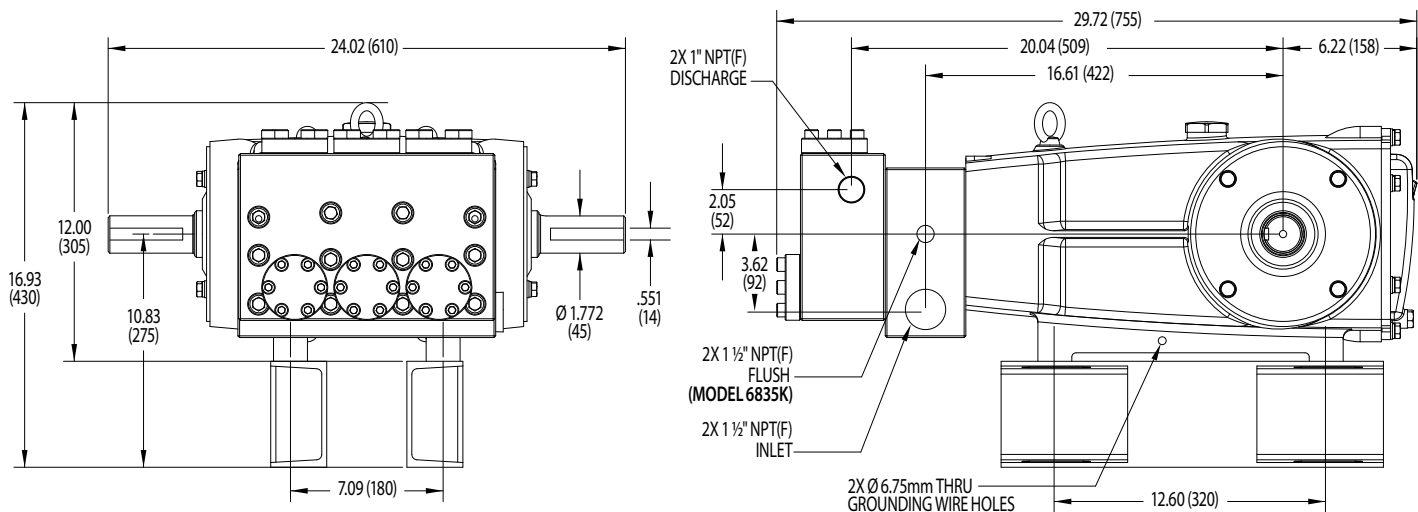
## SERVICE PARTS

PART	DESCRIPTION	QTY
<b>76720</b>	Kit, Seal – Standard NBR	1
<b>34017</b>	Kit, Valve – Standard NBR	2
6102	Oil, Jug (2.5 Gal) ISO-68 Hydraulic (Fill to Specified Crankcase Capacity Prior to Start-up)	1
6124	Gasket, Liquid (3 oz)	1
6139	Lubricant, Anti-Seize (8 oz) (See Tech Bulletin 095)	1

**Bold print part numbers are unique to a particular pump model. Italics are optional items.**

R Components comply with RoHS Directive. For additional technical information see [www.catpumps.com/literature/tech-bulletins](http://www.catpumps.com/literature/tech-bulletins).

MATERIAL CODES (Not Part of Part Number): ABS=ABS Plastic ALE=Aluminum Epoxy BBHS=Brass/High Strength CC=Ceramic CM=Chrome-Moly D=Acetal F=Cast Iron  
FCM=Forged Chrome-moly FPM=Fluorocarbon NBR=Medium Nitrile (Buna-N) PE=Polyethylene PTFE=Pure Polytetrafluoroethylene PVDF=Polyvinylidene Fluoride RBR=Rubber  
S=304SS SS=316SS SSZZ=316SS/Zamak SFTK=Polytetrafluoroethylene/Aramid Fiber Blend STL=Steel STCP=Steel/Chrome Plated STZP=Steel/Zinc Plated



Models 6835, 6835K

**SEAL KITS** One (1) seal kit required per pump

PUMP MODELS	NBR (STD)	FPM (.0110)	EPDM (.0220) ◆		
6835, 6835K	<b>76720*</b>	<b>76746*</b>	<b>76886*</b>		
ITEM (Included in Seal Kits)	PART NUMBER			DESCRIPTION	QTY
97	11345	11375	701490	O-Ring, Plunger Retainer	3
106	44113	44740	46955	Seal, Low-Pressure, with SS-Spring	3
112	701632	701328	701973	O-Ring, Inlet Spacer	6
113	701329	701329	701329	Backup Ring, Inlet Spacer	6
127	76368	76368	76368	V-Packing Set 6-Piece, Assembly	3
155	48860	20137	701492	O-Ring, V-Packing Spacer	3
156	48362	48362	48362	Backup Ring, V-Packing Spacer	6
159	48860	20137	701492	O-Ring, V-Packing Spacer	3

◆ Silicone oil/grease required \* Review material codes for individual items (SFTK generally may be used as alternate)

**VALVE KITS** Two (2) valve kits required per pump

PUMP MODELS	NBR (STD)	FPM (.0110)	EPDM (.0220) ◆		
6835, 6835K	<b>34017</b>	<b>31955</b>	<b>31952</b>		
ITEM (Included in Valve Kits)	PART NUMBER			DESCRIPTION	QTY
162	48363	48363	48363	Backup Ring, Valve Seat	3
163	26142	14330	701493	O-Ring, Valve Seat	3
164	44612	44612	44612	Seat	3
166	44108	44108	44108	Valve	3
167	44109	44109	44109	Spring	3
168	44728	44728	44728	Retainer, Spring	3
170	44729	44729	44729	Washer, Spring Retainer	3
172	89827	11747	701494	O-Ring, Valve Plug	3
173	48364	48364	48364	Backup Ring, Valve Plug	3

◆ Silicone oil/grease required

**⚠ CAUTIONS AND WARNINGS**

All high-pressure systems require a primary pressure regulating device (e.g. regulator, unloader) and a secondary pressure relief device (e.g. pop-off valve, relief valve). Failure to install such relief devices could result in personal injury or damage to pump or property. Cat Pumps does not assume any liability or responsibility for the operation of a customer's high-pressure system. Read all CAUTIONS and WARNINGS before commencing service or operation of any high-pressure system. The CAUTIONS and WARNINGS are included in each Service Manual and with each Accessory Data sheet. CAUTIONS and WARNINGS can also be viewed online at [www.catpumps.com/dynamic-literature/cautions-and-warnings](http://www.catpumps.com/dynamic-literature/cautions-and-warnings) or can be requested directly from Cat Pumps.

**WARRANTY**

View the Limited Warranty online at [www.catpumps.com/literature/cat-pumps-limited-warranty](http://www.catpumps.com/literature/cat-pumps-limited-warranty)