

DATA SHEET

HIGH-PRESSURE LANCES



Stainless Steel **31219, 31220**
Models:



Model 31219 Shown

FEATURES

- Ventilated square nylon insulator provides comfort and safety during operation.
- Suitable for hot or cold water blasting.
- Durable nozzle protector reduces nozzle clogging and damage.
- Stainless steel construction allows for chemical compatibility.

SPECIFICATIONS

U.S.

Metric

Model 31219

Maximum Flow	8 gpm	30 lpm
Maximum Pressure	5100 psi	350 bar
Maximum Temperature	320° F	160° C
Inlet Fitting	¼" NPT(M)	¼" NPT(M)
Nozzle Holder	¼" NPT(F)	¼" NPT(F)
Weight	19.4 oz	0.55 kg
Overall Length	31.4"	800 mm

Model 31220

Maximum Flow	8 gpm	30 lpm
Maximum Pressure	5100 psi	350 bar
Maximum Temperature	320° F	160° C
Inlet Fitting	¼" NPT(M)	¼" NPT(M)
Nozzle Holder	¼" NPT(F)	¼" NPT(F)
Weight	28.8 oz	0.81 kg
Overall Length	41.3"	1050 mm

SELECTION

Select a lance to match the system flow, pressure requirements, temperature and application.

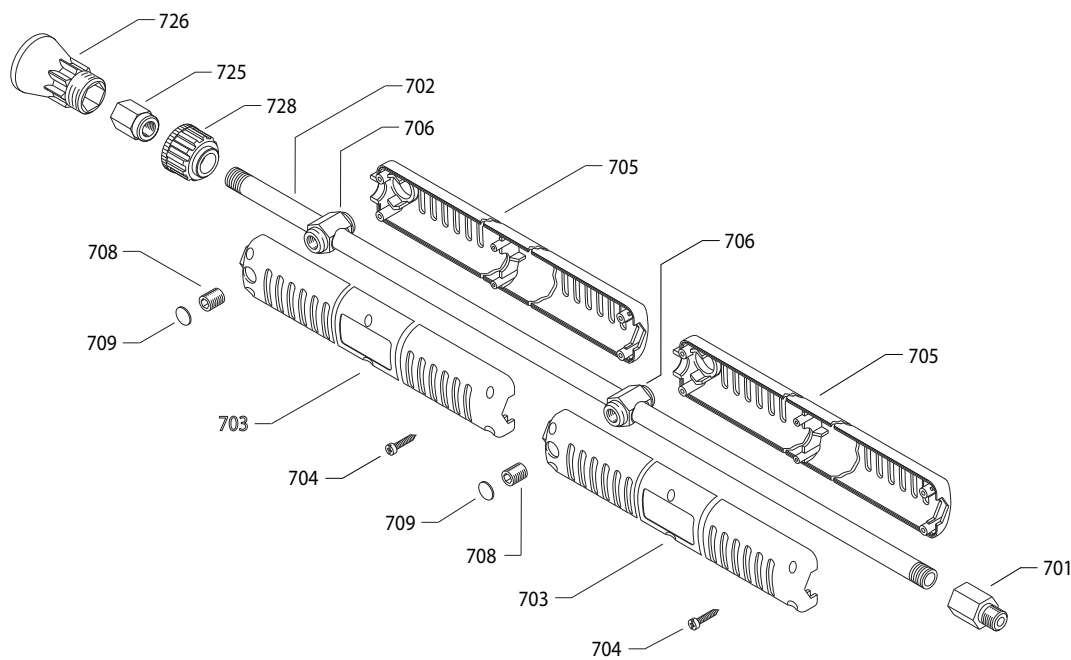
INSTALLATION

Install these single lances onto any ¼" fitted gun. Use PTFE thread tape or pipe thread sealant to ensure a leak proof fit.

OPERATION

Fluid flow through the lance occurs by squeezing the trigger on the gun.

EXPLODED VIEW



Model 31219 Shown

PARTS LIST

ITEM	PART NUMBER	DESCRIPTION	QTY
701	31868	S Fitting (1/4" NPT[M] x 1/4" NPT[F])	1
702	—	S Tube (800 mm) Model 31219	1
	—	ZP Tube (1050 mm) Model 31220	1
703	—	NY Cover, Lance (Left)	2
704	—	STZP Screw, Self Tapping (M3.5 x 18)	12
705	—	NY Cover, Lance (Right)	2
706	—	AL Frame, Insulator	2
708	32870	STZP Screw, Cover (M10)	2

ITEM	PART NUMBER	DESCRIPTION	QTY
709	—	NY Plug, Cover	2
725	32232	SSS Holder, Nozzle (1/4" NPT[F] x 1/4" NPT[F])	2
726	—	NY Protector, Nozzle	1
728	—	NY Collar, Protector	1
736	31239	NY Assembly, Insulator (Includes: 703-706)	2

Italics are optional items.

MATERIAL CODES (Not Part of Part Number):

AL=Aluminum S=304SS SSS=416SS STZP=Steel/Zinc Plated

TROUBLESHOOTING

Water leaking at fitting connection • Check fitting for proper sealant and reconnect to gun

Water leaking at nozzle • Check nozzle holder for proper sealant and reconnect

Broken nozzle protector • Replace to ensure nozzle life

⚠ WARNING

SKIN PUNCTURE HAZARD

Do not allow spray to contact any part of the body or animals. Pumped liquids under high pressure can pierce skin and underlying tissue or can deflect debris leading to serious personal injury or death.

1. Relieve all line pressure in the inlet line to the pump and discharge line from the pump before performing any maintenance on the gun.
2. When high-pressure gun is not in use, set safety trigger lock (safety latch) to avoid accidental high-pressure operation and personal injury or property damage.
3. Do not check for leaks with hand. Use a piece of cardboard to check for leaks.
4. Review cleaning procedures to minimize heavy back blasting.
5. Wear adequate safety equipment and clothing when operating a high-pressure sprayer. Never use high-pressure spray with bare feet or exposed skin, and always wear safety glasses.

⚠ CAUTIONS AND WARNINGS

All high-pressure systems require a primary pressure regulating device (e.g. regulator, unloader) and a secondary pressure relief device (e.g. pop-off valve, relief valve). Failure to install such relief devices could result in personal injury or damage to pump or property. Cat Pumps does not assume any liability or responsibility for the operation of a customer's high-pressure system.

Read all CAUTIONS and WARNINGS before commencing service or operation of any high-pressure system. The CAUTIONS and WARNINGS are included in each Service Manual and with each Accessory Data sheet. CAUTIONS and WARNINGS can also be viewed online at www.catpumps.com/dynamic-literature/cautions-and-warnings or can be requested directly from Cat Pumps.

WARRANTY

View the Limited Warranty online at www.catpumps.com/literature/cat-pumps-limited-warranty