

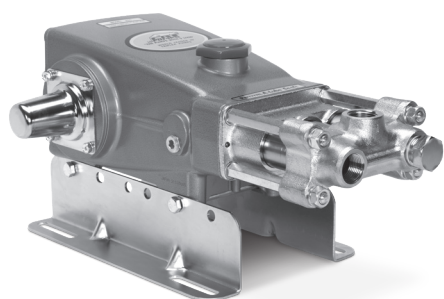
DATA SHEET

10 FRAME PISTON PUMPS



Brass Models: 623, 820, 1010

Stainless Steel Models: 621, 821, 1011



Model 820 Shown
(Shaft protector and mounting rails sold separately)

FEATURES

- Triplex Uniflow design provides continuous forward liquid flow for smooth operation.
- Wetted cups and floating pistons are lubricated and cooled by pumped liquid, resulting in longer cup life.
- Mechanically-actuated inlet valves create a strong lift, helping to prime the pump.
- Optional 316 stainless steel manifolds provide added corrosion resistance.
- Pump comes standard with NBR seals. Alternative seal materials are available for higher temperature or chemical compatibility.

COMMON SPECIFICATIONS

	U.S.	Metric
Crankcase Capacity	40 oz	1.181 l
Max. Liquid Temperature (NBR)	160° F	71° C

Alternative seals available for higher temperatures up to 180° F

Inlet Pressure Range	-8.5 to +40 psi	-0.6 to +2.8 bar
Inlet Ports (1)	1" NPT(F)	1" NPT(F)
Discharge Ports (3)	¾" NPT(F)	¾" NPT(F)
Shaft Diameter	0.984"	25 mm
Weight	27.0 lbs	12.25 kg
Dimensions	17.28 x 11.42 x 6.30"	439 x 290 x 160 mm

SPECIFICATIONS

U.S. Measure

Metric Measure

Models 623, 621

Flow	6.0 gpm	23 lpm
Pressure Range	100–1200 psi	6.9–83 bar
Pump RPM*	850 rpm	850 rpm
Bore	0.787"	20 mm
Stroke	1.122"	28.5 mm

Models 820, 821

Flow	10.0 gpm	38 lpm
Pressure Range	100–1000 psi	6.9–69 bar
Pump RPM*	940 rpm	940 rpm
Bore	0.984"	25 mm
Stroke	1.102"	28 mm

Models 1010, 1011

Flow	13 gpm	49 lpm
Pressure Range	100–700 psi	6.9–48 bar
Pump RPM*	900 rpm	900 rpm
Bore	0.122"	28.5 mm
Stroke	1.102"	28 mm

*Pump Minimum is 100 rpm

ALTERNATIVE SEAL CONFIGURATION

MATERIAL	SUFFIX CODE	MAXIMUM TEMPERATURE	
NBR	—	160° F	(71° C)
FPM	.0110	180° F	(82° C)
HT	.3000	180° F	(82° C)

See **Tech Bulletin 002** for inlet conditions and RPM at high-temperature.

$$\text{DETERMINING THE PUMP RPM} \quad \frac{\text{Rated gpm}}{\text{Rated rpm}} = \frac{\text{Desired gpm}}{\text{Desired rpm}}$$

$$\text{DETERMINING THE REQUIRED HP} \quad \frac{\text{hp}}{\text{(Electric Brake)}} = \frac{\text{gpm} \times \text{psi}}{1460}$$

$$\text{DETERMINING MOTOR PULLEY SIZE} \quad \frac{\text{Motor Pulley OD}}{\text{Pump rpm}} = \frac{\text{Pump Pulley OD}}{\text{Motor rpm}}$$

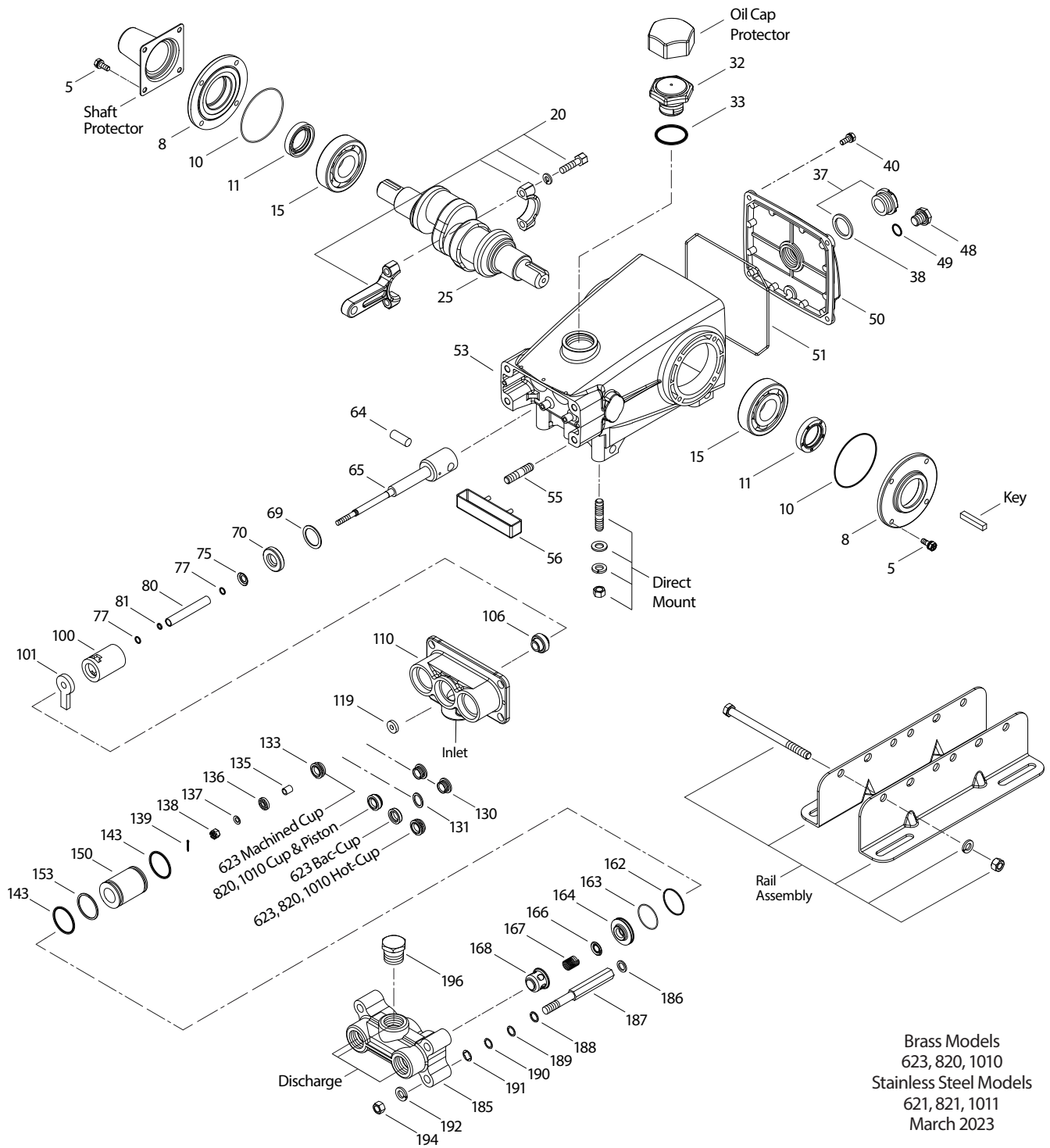
Refer to pump **Service Manual** for repair procedure and additional technical information.

PARTS LIST

ITEM	PART NUMBER		PART NUMBER		PART NUMBER		DESCRIPTION	QTY
	623, 621	MATL	820, 821	MATL	1010,1011	MATL		
5	125824	STCP R	125824	STCP R	125824	STCP R	Screw, HHC Sems (M6 x 16) (See Tech Bulletin 074)	8
8	27331	AL	27331	AL	27331	AL	Cover, Bearing	2
10	26965	NBR	26965	NBR	26965	NBR	O-Ring, Bearing Cover-70D	2
11	27330	NBR	27330	NBR	27330	NBR	Seal, Oil, Crankshaft	2
15	47080	STL	47080	STL	47080	STL	Bearing, Ball	2
20	48733	TNM	48733	TNM	48733	TNM	Rod, Connecting, Assembly (See Tech Bulletin 074)	3
25	27329	FCM	27329	FCM	27329	FCM	Crankshaft, Dual End (M28.5)	1
32	43211	ABS	43211	ABS	43211	ABS	Cap, Oil Filler	1
33	14177	NBR	14177	NBR	14177	NBR	O-Ring, Oil Filler Cap-70D	1
37	92241	PC	92241	PC	92241	PC	Gauge, Oil Bubble with Gasket-80D (See Tech Bulletin 074)	1
38	44428	NBR	44428	NBR	44428	NBR	Gasket, Flat, Oil Gauge-80D	1
40	126541	STCP R	126541	STCP R	126541	STCP R	Screw, HHC Sems (M6 x 20) (See Tech Bulletins 074, 111)	4
48	25625	STCP	25625	STCP	25625	STCP	Plug, Drain (1/4" x 19 BSP)	1
49	23170	NBR	23170	NBR	23170	NBR	O-Ring, Drain Plug-70D	1
50	49712	AL	49712	AL	49712	AL	Cover, Rear (See Tech Bulletin 111)	1
51	14070	NBR	14070	NBR	14070	NBR	O-Ring, Cover (See Tech Bulletin 111)	1
53	49710	AL	49710	AL	49710	AL	Crankcase with Guide Pins (See Tech Bulletin 111)	1
55	126545	STCP R	126545	STCP R	126545	STCP R	Stud (M10 x 45)	4
56	27911	POP	27911	POP	27911	POP	Pan, Oil (Use with Items 100,101,106) For Blue-Dot Seals	1
64	20251	CM	20251	CM	20251	CM	Pin, Crosshead	3
65	27337	SZZ	27337	SZZ	27337	SZZ	Rod, Piston	3
69	126585	STCP R	126585	STCP R	126585	STCP R	Washer, Oil Seal	3
70	27339	NBR	27339	NBR	27339	NBR	Seal, Oil, Crankcase	3
75	25327	S	25327	S	25327	S	Slinger, Barrier	3
77	25392	NBR	25392	NBR	25392	NBR	O-Ring, Sleeve-70D	6
80	27340	SCP	27340	SCP	27340	SCP	Sleeve	3
	28782	S	28782	S	28782	S	<i>Sleeve (Unchromed)</i>	3
81	29003	PTFE	29003	PTFE	29003	PTFE	Backup Ring, Sleeve	3
100	27341	PVDF	27341	PVDF	27341	PVDF	Retainer, Seal	3
101	27910	—	27910	—	27910	—	<i>Wick, Long Tab (Use with Items 56,100,106) For Blue-Dot Seals</i>	3
106	30315	NBR	30315	NBR	30315	NBR	Seal, Low-Pressure, (Greased)	3
110	27344	NABC	27344	NABC	27344	NABC	Manifold, Inlet (Models 623, 820, 1010)	1
	30247	SS	30247	SS	30247	SS	<i>Manifold, Inlet (Models 621, 821, 1011)</i>	1
119	27347	S	27497	S	27813	S	Valve, Inlet	3
130	—	—	27820	S	27814	S	Piston	3
133	30340	NBR	27821	FPM	27815	FPM	Cup, Piston (Models 623 – Machined)	3
135	27348	S	27499	S	27499	S	Spacer, Piston	3
136	27002	S	27500	S	20324	S	Retainer, Piston	3
137	27006	S	—	—	—	—	Washer, Conical (M6)	6
	—	—	27006	S	27006	S	Washer, Conical (M6)	3
138	27000	S	27000	S	27000	S	Nut, Slotted (M6) (See Tech Bulletin 074)	3
139	14158	S	14158	S	14158	S	Cotterpin (M1.6 x 10)	3
143	26969	NBR	26969	NBR	26969	NBR	O-Ring, Cylinder-70D	6
150	28342	SCP	28340	SCP	28341	SCP	Cylinder (M50)	3
	28776	S	28778	S	28780	S	<i>Cylinder (M50) (Unchromed)</i>	3
153	28204	PTFE	28204	PTFE	—	—	Backup Ring, Cylinder (Models 621, 623, 820, 821)	3
162	43062	PTFE	43062	PTFE	43062	PTFE	Backup Ring, Seat	3
163	26966	NBR	26966	NBR	26966	NBR	O-Ring, Seat-70D	3
164	43428	S	43428	S	43428	S	Seat	3
166	43721	S	43721	S	43721	S	Valve	3
167	43251	S	43251	S	43251	S	Spring	3
168	43429	S	43429	S	43429	S	Retainer, Spring	3
185	43046	BBCP	43046	BBCP	43046	BBCP	Manifold, Discharge (Models 623, 820, 1010)	1
	30248	SS	30248	SS	30248	SS	<i>Manifold, Discharge (Models 621, 821, 1011)</i>	1
186	126593	STCP R	126593	STCP R	126593	STCP R	Washer, Shim (M10.5 x 1.5)	4-8
187	43047	STCP	43047	STCP	43047	STCP	Stud, Hex, Manifold "B"	4
188	126582	STCP R	126582	STCP R	126582	STCP R	Washer, Shim (M10.5 x 1.0)	4-8
189	126583	STCP R	126583	STCP R	126583	STCP R	Washer, Shim (M10 x 0.5)	4-8
190	126584	STCP R	126584	STCP R	126584	STCP R	Washer, Shim (M10 x 0.3)	4-8
191	27357	STZP	27357	STZP	27357	STZP	Lockwasher (M10)	4
192	126231	STCP R	126231	STCP R	126231	STCP R	Lockwasher (M10)	4
194	126522	STCP R	126522	STCP R	126522	STCP R	Nut, Hex (M10 x 1.5) (See Tech Bulletin 074)	4
196	20326	BBCP	20326	BBCP	20326	BBCP	Plug, Discharge Manifold (3/4" NPT[M]) (Models 623, 820, 1010)	1

Bold print part numbers are unique to a particular pump model. Italics are optional items. [] Date of latest production change.
R Components comply with RoHS Directive. For additional technical information see www.catpumps.com/literature/tech-bulletins.
When replacing Greased Low-Pressure Seals with Blue-Dot Seals, wick must be installed. MATERIAL CODES (Not Part of Part Number):
ABS=ABS Plastic AL=Aluminum BB=Brass BBCP=Brass/Chrome Plated CM=Chrome-Moly F=Cast Iron FCM=Forged Chrome-moly
FPM=Fluorocarbon NABC=Nickel Aluminum Bronze Chrome Plated NBR=Medium Nitrile (Buna-N) NY=Nylon PC=Poly Carbonate
POP=Polypropylene PTFE=Pure Polytetrafluoroethylene PVDF=Polyvinylidene Fluoride S=304SS SCP=304SS/Chrome Plated
SNG=Special Blend (Buna) SS=316SS STL=Steel STCP=Steel/Chrome Plated STZP=Steel/Zinc Plated
SZZ=304SS/Zamak ST4=Special PTFE 4 TNM=Special High Strength

EXPLODED VIEW



Brass Models
623, 820, 1010
Stainless Steel Models
621, 821, 1011
March 2023

OPTIONAL PARTS AND ACCESSORIES

PART	DESCRIPTION	QTY
50146	Key (M7 x 7 x 40)	1
30613	Assembly, Rail	1
30653	Assembly, Mount (Not Shown)	1
30264	Mount, Direct	1
828710	Protector, Oil Cap	1
43139	Protector, Shaft	1
34334	Kit, Oil Drain (3/8" x 24") (Not Shown)	1
30284	Hub and Key Assembly (Not Shown)	1

SERVICE PARTS

PART	DESCRIPTION	QTY
30305	Kit, Seal – Standard NBR	1
30687	Kit, Valve – Standard NBR	1
6107	Oil, Bottle (21 oz) ISO 68 Hydraulic (Fill to Specified Crankcase Capacity Prior to Start-up)	2
6124	Gasket, Liquid (3 oz)	1
6139	Lubricant, Anti-Seize (8 oz) (Models 621, 821, 1011) (See Tech Bulletin 095)	1

SEAL KITS One (1) seal kit required per pump

PUMP MODELS	NBR (STD)	Blue Dot*
621, 623, 820, 821, 1010, 1011	30305	30226

ITEM (Included in Seal Kits)	DESCRIPTION			QTY
106	30315**	25153**	Seal, Low-Pressure	3
139	14158	14158	Cotterpin	3
101	N/A	27910	Wick	3

*Use with oil pan PN 27911, **Use PN 30325 for FPM, and use PN 100015 for FPM (Ungreased)

SLEEVE AND SEAL KIT One (1) sleeve and seal kit required per pump

PUMP MODELS	NBR (STD)	Blue Dot*
621, 623, 820, 821, 1010, 1011	30397	30227

ITEM (Included in Sleeve and Seal Kits)	DESCRIPTION			QTY
75	25327	25327	Slinger, Barrier	3
77	25392**	25392**	O-Ring, Sleeve	3
80	27340	27340	Sleeve	3
101	N/A	27910	Wick	3
106	30315***	25153***	Seal, Low-Pressure	3
139	14158	14158	Cotterpin	3

*Use with oil pan PN 27911, **Use PN 28771 for FPM, ***Use PN 30325 for FPM, and use PN 100015 for FPM (Ungreased)

CUP KITS One (1) cup kit required per pump

Pump Models	623	623	623	623	623	820	820	820	1010	1010	1010
	621	621	621	621	621	821	821	821	1011	1011	1011
	NBR	NBR	NBR	FPM	ST4	NBR	NBR	ST4	NBR	NBR	ST4
	(STD)	(HOT)	(BAC)	(BAC)	(CUP-Piston)	(STD)	(HOT)	(CUP-Piston)	(STD)	(HOT)	(CUP-Piston)
	30220	76238	30822	43474	76515	30222	30437	76333	30224	30300	76189

ITEM (Included in Cup Kits)	DESCRIPTION											QTY	
130				30543								Piston (Bac-Cup)	3
131				30544								Bac-Cup Ring	3
133	30340	29089	43172	43172	76515*	27821	29091	76333*	27815	29092	76189**	Cup	3
139	14158	14158	14158			14158	14158		14158	14158		Cotterpin	3
143	26969	26969	26969			26969	26969		26969	26969		O-Ring, Cylinder	6
153	28204	28204	28204			28204						Backup Ring, Cylinder	3
355			22130			16981			15770			Insertor, Cup	1

*76515 and 76333 are only Cups with a FPM O-ring, **76189 is only a Cup with a FPM O-ring and 76189.0220 is only a Cup with a EPDM O-ring

PISTON KITS One (1) piston kit required per pump

PUMP MODELS	621,623	621, 623	820, 821	1010, 1011
	NBR (STD)	FPM (BAC-CUP)	NBR (STD)	NBR (STD)
	30219	30843	30221	30223

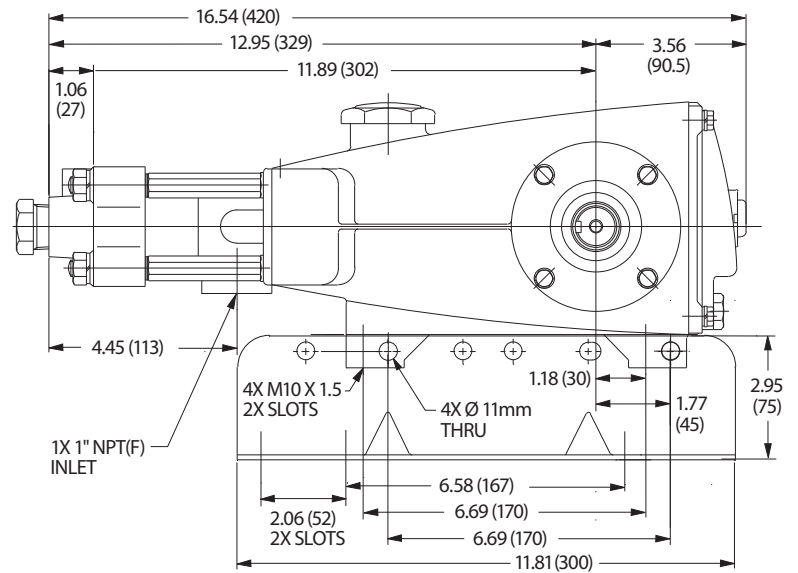
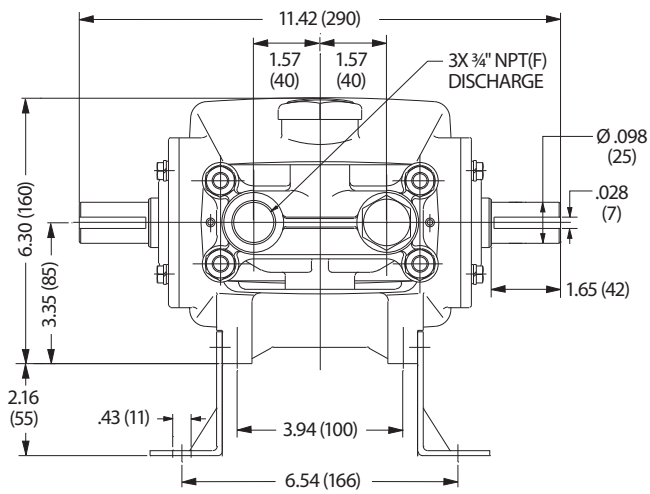
ITEM (Included in Piston Kits)	DESCRIPTION				QTY	
119	27347	27347	27497	27813	Valve, Inlet	3
130	N/A		27820	27814	Piston	3
133	30340	43474	27821	27815	Cup	3
135	27348		27499	27499	Spacer, Piston	3
136	27002		27500	20324	Retainer, Piston	3
137	27006*		27006	27006	Washer, Conical	3
138	27000		27000	27000	Nut, Slotted	3
139	14158	14158	14158	14158	Cotterpin	3
143	26969	26969	26969	26969	O-Ring, Cylinder	6
153	28204	28204	28204	N/A	Backup Ring, Cylinder	3
355		22130	16981	15770	Insertor, Cup	1

*Quantities of conical washers is (6) for Models 621 and 623

VALVE KITS One (1) valve kit required per pump

PUMP MODELS	NBR (STD)	NBR (FLAT)
621, 623, 820, 821, 1010, 1011	30687	30449

ITEM (Included in Valve Kits)	DESCRIPTION			QTY
143	26969	26969	O-Ring, Cylinder	6
153	28204	28204	Backup Ring, Cylinder	3
162	43062	43062	Backup Ring, Seat	3
163	26966	26966	O-Ring, Seat	3
164	43428	43063	Seat	3
166	43721	20262	Valve	3
167	43251	20265	Spring	3
168	43429	43135	Retainer, Spring	3



Model 1010

⚠ CAUTIONS AND WARNINGS

All high-pressure systems require a primary pressure regulating device (e.g. regulator, unloader) and a secondary pressure relief device (e.g. pop-off valve, relief valve). Failure to install such relief devices could result in personal injury or damage to pump or property. Cat Pumps does not assume any liability or responsibility for the operation of a customer's high-pressure system. Read all CAUTIONS and WARNINGS before commencing service or operation of any high-pressure system. The CAUTIONS and WARNINGS are included in each Service Manual and with each Accessory Data sheet. CAUTIONS and WARNINGS can also be viewed online at www.catpumps.com/dynamic-literature/cautions-and-warnings or can be requested directly from Cat Pumps.

WARRANTY

View the Limited Warranty on-line at www.catpumps.com/literature/cat-pumps-limited-warranty

CAT PUMPS 1681 94th Lane N.E., Minneapolis, MN 55449-4324 P: (763) 780-5440 F: (763) 780-2958 E: techsupport@catpumps.com www.catpumps.com

©2021 Cat Pumps Inc. All rights reserved. All data contained in this document are based on the latest product information available at the time of publication. Cat Pumps reserves the right to make changes at any time without notice.