

# DATA SHEET

## 60 FRAME PLUNGER PUMPS



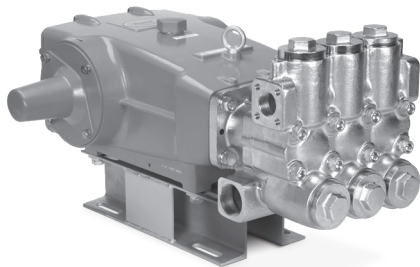
**Chrome  
Plated**  
**6760**

**Stainless  
Steel**  
**6761**

**Duplex  
SS**  
**6762**

**Nickel Aluminum  
Bronze**  
**6767**

**Nickel Aluminum  
Bronze Flushed**  
**6767C**



Model 6760 Shown  
(Box rails and shaft protector included)

### FEATURES

- Triplex plunger design ensures high efficiency and low pulsation.
- V-packings and low-pressure seals are completely lubricated and cooled, greatly increasing service life.
- Special high-density, polished, concentric ceramic plungers provide a true wear surface and extended seal life.
- Model 6767C offers an external flush for high-temperature or low-lubricity liquids.
- Pump comes standard with NBR seals. Alternative seal materials are available for higher temperature or chemical compatibility.

### SPECIFICATIONS

	U.S.	Metric
Flow	60 gpm	227 lpm
Pressure Range	100–1200 psi	6.9–83 bar
Pump RPM*	520 rpm	520 rpm
Inlet Pressure Range	Flooded to 50 psi	Flooded to 3.4 bar
Max. Liquid Temperature	140° F	60° C
<b>Alternative seals available for higher temperatures up to 180° F</b>		
Bore	2.165"	55 mm
Stroke	2.579"	65.5 mm
Crankcase Capacity	10 qts	9.46 l
Inlet Ports (2)	2" NPT(F)	2" NPT(F)
Flush Ports (2) (6767C)	1/4" NPT(F)	1/4" NPT(F)
Discharge Ports (2)	1 1/4" NPT(F)	1 1/4" NPT(F)
Shaft Diameter	1.772"	45 mm
Pulley Mounting	Either Side	Either Side
Weight	335 lbs	152 kg
<b>Dimensions</b>		
6760, 6767, 6767C	31.14 x 24.37 x 12.87"	791 x 619 x 327 mm
6761, 6762	31.18 x 24.37 x 17.44"	792 x 619 x 443 mm

\* Pump minimum is 100 RPM.

### ALTERNATIVE SEAL CONFIGURATION

MATERIAL	SUFFIX CODE	MAXIMUM TEMPERATURE	
NBR	—	140° F	(60° C)
FPM	.0110	180° F	(82° C)
EPDM	.0220	160° F	(71° C)

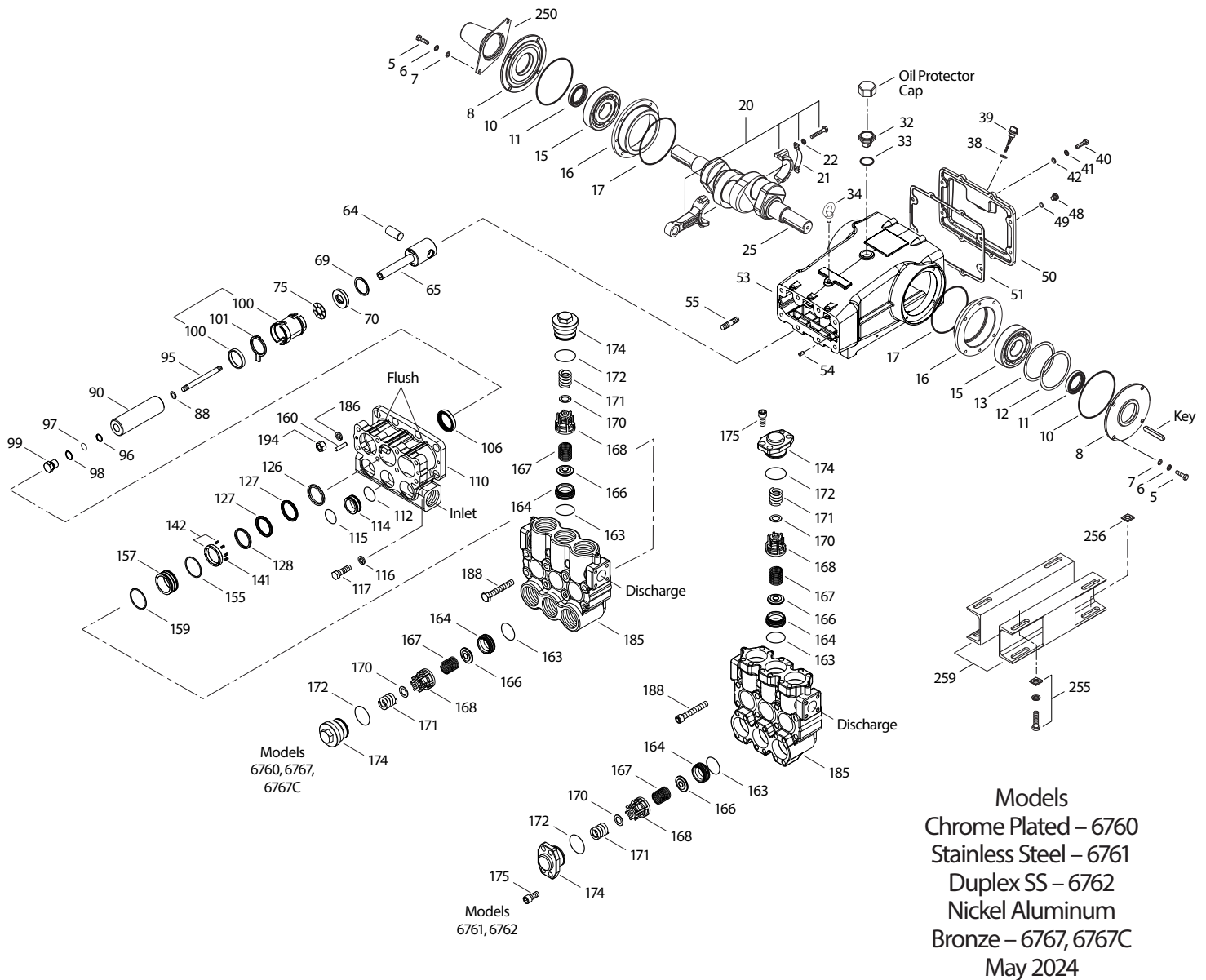
See **Tech Bulletin 002** for inlet conditions and RPM at high-temperature.

<b>DETERMINING THE PUMP RPM</b>	Rated gpm	=	Desired gpm
	Rated rpm		Desired rpm
<b>DETERMINING THE REQUIRED HP</b>	hp (Electric Brake)	=	gpm x psi 1460
<b>DETERMINING MOTOR PULLEY SIZE</b>	Motor Pulley OD	=	Pump Pulley OD
	Pump rpm		Motor rpm

Refer to pump **Service Manual** for repair procedure and additional technical information.



# EXPLODED VIEW



Models  
 Chrome Plated – 6760  
 Stainless Steel – 6761  
 Duplex SS – 6762  
 Nickel Aluminum  
 Bronze – 6767, 6767C  
 May 2024

## OPTIONAL PARTS AND ACCESSORIES

PART	DESCRIPTION	QTY
43048	Key (M14 x 9 x 90)	1
828710	Protector, Oil Cap with Foam Gasket	1
990014	Hub, "B", M45 with Keyway (Not Shown)	1
30429	Oiler (10 oz) (Not Shown)	3
34314	Kit, Oil Drain (3/8" x 48") (Not Shown)	1
88902	Stud, (M16 x 277) (For Removal of DM and IM) (Not Shown)	1
819010	Assembly, Crankcase, Cast Iron Conversion (Not Shown)	1

## SERVICE PARTS

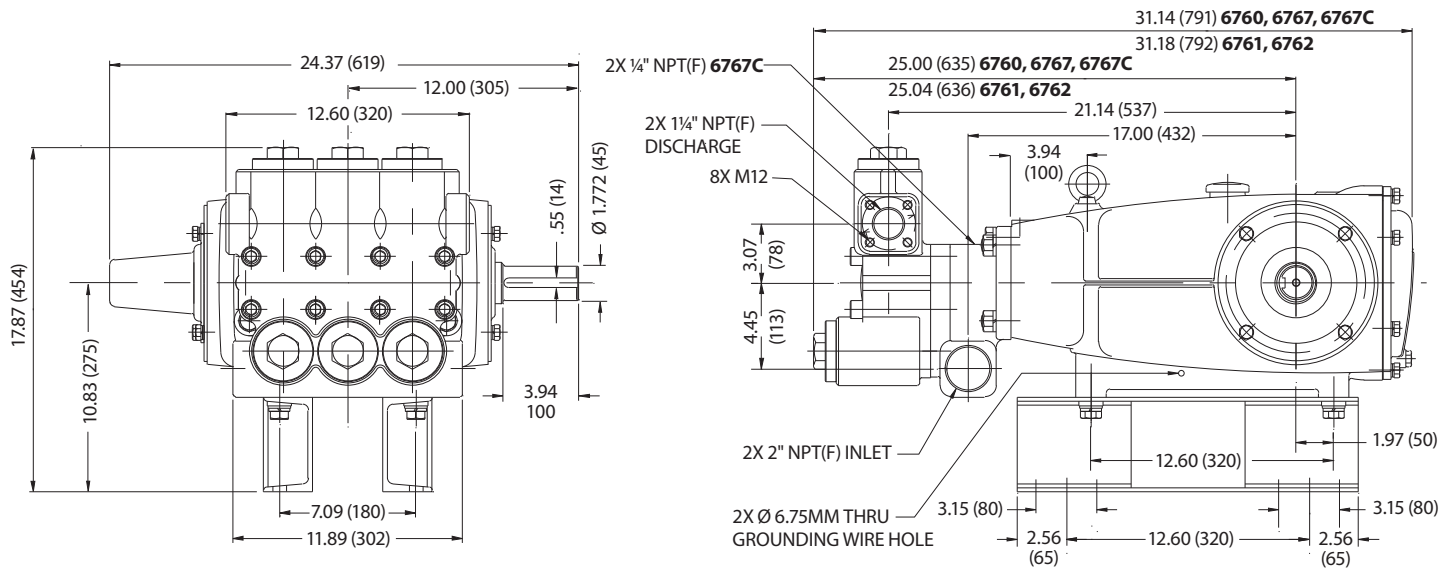
PART	DESCRIPTION	QTY
<b>34091</b>	Kit, Seal – Standard NBR	1
<b>34092</b>	Kit, Valve – Standard NBR	2
<b>39400</b>	Kit, Valve – Standard NBR (Model 6762)	2
6102	Oil, Jug (2.5 gal) (Fill to Specified Crankcase Capacity Prior to Start-up)	1
6124	Gasket, Liquid (3 oz)	1
6139	Lubricant, Anti-seize (8 oz) (See Tech Bulletin 095)	1
31173	Crankcase Oil Seal Removal and Installation Kit (Not Shown) (Includes: Oil Seals, Guide Tool, Screws, Washer)	1
30696	Reverse Pliers (Not Shown)	1
<b>816760</b>	Head, Complete with NBR Seals and O-Rings (Model 6760)	1
<b>816667</b>	Head, Complete with NBR Seals and O-Rings (Model 6761)	1
<b>816865</b>	Head, Complete with NBR Seals and O-Rings (Model 6762)	1
<b>814820</b>	Head, Complete with NBR Seals and O-Rings (Model 6767)	1

**Bold print part numbers are unique to a particular pump model. Italics are optional items.**

† Production parts 3045S, replacement parts are 3165S. R Components comply with RoHS Directive. For additional technical information see [www.catpumps.com/literature/tech-bulletins](http://www.catpumps.com/literature/tech-bulletins).

MATERIAL CODES (Not Part of Part Number): ABS=ABS Plastic ALE=Aluminum Epoxy BB=Brass BBHS=Brass/High Strength CC=Ceramic CM=Chrome-Moly D=Acetal  
 F=Cast Iron FCM=Forged Chrome-moly FPM=Fluorocarbon NAB=Nickel Aluminum Bronze NABC=Nickel Aluminum Bronze Chrome Plated NBR=Medium Nitrile (Buna-N)  
 PE=Polyethylene PTFE=Pure Polytetrafluoroethylene PVDF=Polyvinylidene Fluoride RBR=Rubber S=304SS SS=316SS SSD=Duplex SS SSZZ=316SS/Zamak  
 STCP=Steel/Chrome Plated STG=Special Blend PTFE White STL=Steel STZP=Steel/Zinc Plated

Kits – NBR, FPM (.0110), EPDM (.0220) listed on page 4.



## SEAL KITS

One (1) seal kit required per pump

PUMP MODEL	NBR (STD)	FPM (.0110)	EPDM (.0220) ◆
6760, 6761, 6762, 6767, 6767C	34091*	34093*	76091*

ITEM (Included in Seal Kits)				DESCRIPTION	
97	17616	11686	703369	O-Ring, Plunger Retainer	3
106	44757	45882	702228	Seal, Low-Pressure with SS-Spring	3
112	18175	13266	702442	O-Ring, Inner Spacer	3
115	18175	13266	702442	O-Ring, Outer Spacer	3
127	44764	44764	44764	V-Packing	6
155	18178	13338	701657	O-Ring, Spacer	3
159	18178	13338	701657	O-Ring, Spacer	3

\* Review material codes for individual items (STG may be used as alternative)

◆ Silicone Oil/Grease required

## VALVE KITS

Two (2) valve kits required per pump

PUMP MODEL	NBR (STD)	FPM (.0110)	EPDM (.0220) ◆
6760, 6761, 6767, 6767C	34092	31273	76092
6762	39400	—	—

ITEM (Included in Valve Kits)				DESCRIPTION	
163	18176	13278	702445	O-Ring, Seat	3
164	44772	44772	44772	Seat	3
164	48964	—	—	Seat (Model 6762)	3
166	44774	44774	44774	Valve	3
166	48958	—	—	Valve (Model 6762)	3
167	44773	44773	44773	Spring	3
168	44775	44775	44775	Retainer, Spring	3
170	44776	44776	44776	Washer, Retainer	3
170	48956	—	—	Washer, Retainer (Model 6762)	3
172	18177	13279	701988	O-Ring, Valve Plug	3

◆ Silicone Oil/Grease required

### ⚠ CAUTIONS AND WARNINGS

All high-pressure systems require a primary pressure regulating device (e.g. regulator, unloader) and a secondary pressure relief device (e.g. pop-off valve, relief valve). Failure to install such relief devices could result in personal injury or damage to pump or property. Cat Pumps does not assume any liability or responsibility for the operation of a customer's high-pressure system. Read all CAUTIONS and WARNINGS before commencing service or operation of any high-pressure system. The CAUTIONS and WARNINGS are included in each Service Manual and with each Accessory Data sheet. CAUTIONS and WARNINGS can also be viewed online at [www.catpumps.com/dynamic-literature/cautions-and-warnings](http://www.catpumps.com/dynamic-literature/cautions-and-warnings) or can be requested directly from Cat Pumps.

### WARRANTY

View the Limited Warranty online at [www.catpumps.com/literature/cat-pumps-limited-warranty](http://www.catpumps.com/literature/cat-pumps-limited-warranty)