

DATA SHEET

VERTICAL MULTISTAGE PUMP



**Stainless Steel
Model:**

810K4SF



Model 810K4SF without motor.

SPECIFICATIONS

Size

Suction	300# ANSI Raised Face 2"
Discharge	300# ANSI Raised Face 2"
HP	5 hp
RPM	3450 rpm

Liquid Handled

Type of Liquid	*Clean Water
Temperature Range	-22°–248° F (-30°–120° C)
Max. Working Pressure	230 psi (16 bar)

Materials

Impeller	AISI 304
Intermediate Casing	AISI 304
Bottom Casing	AISI 304
Casing Cover	AISI 304
Outer Casing	AISI 304
Shaft	AISI 304
Liner Ring	PPS/AISI 304
Motor Bracket	Cast Iron
Base	Die Cast Aluminum
Lower Pump Bearings	Tungsten Carbide
Mechanical Seal	Silicon Carbide/Carbon/FPM

Motor

Type	NEMA 184TC Frame, TEFC
Speed	60 Hz, 3460 rpm (2 Poles)
Three Phase	230/460V
Direction of Rotation	Clockwise When Viewed from Motor End

Weight

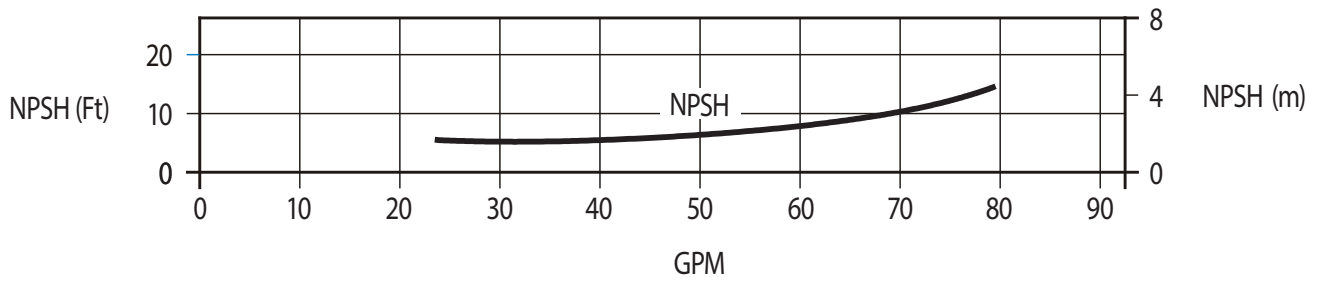
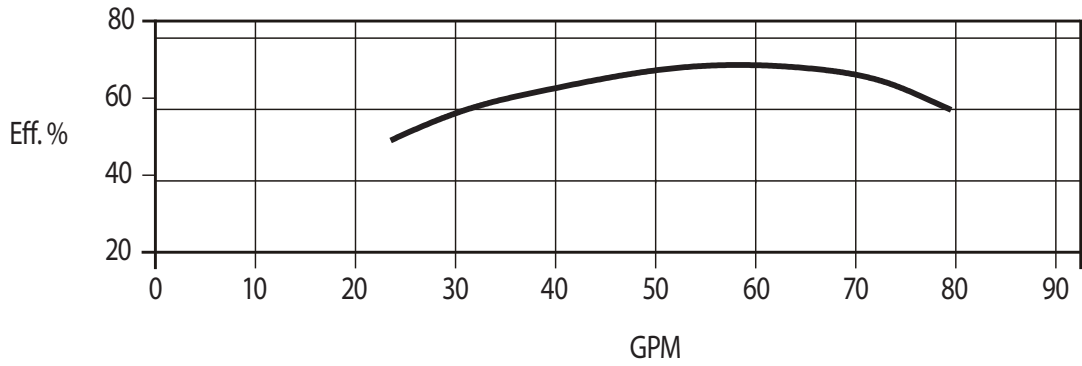
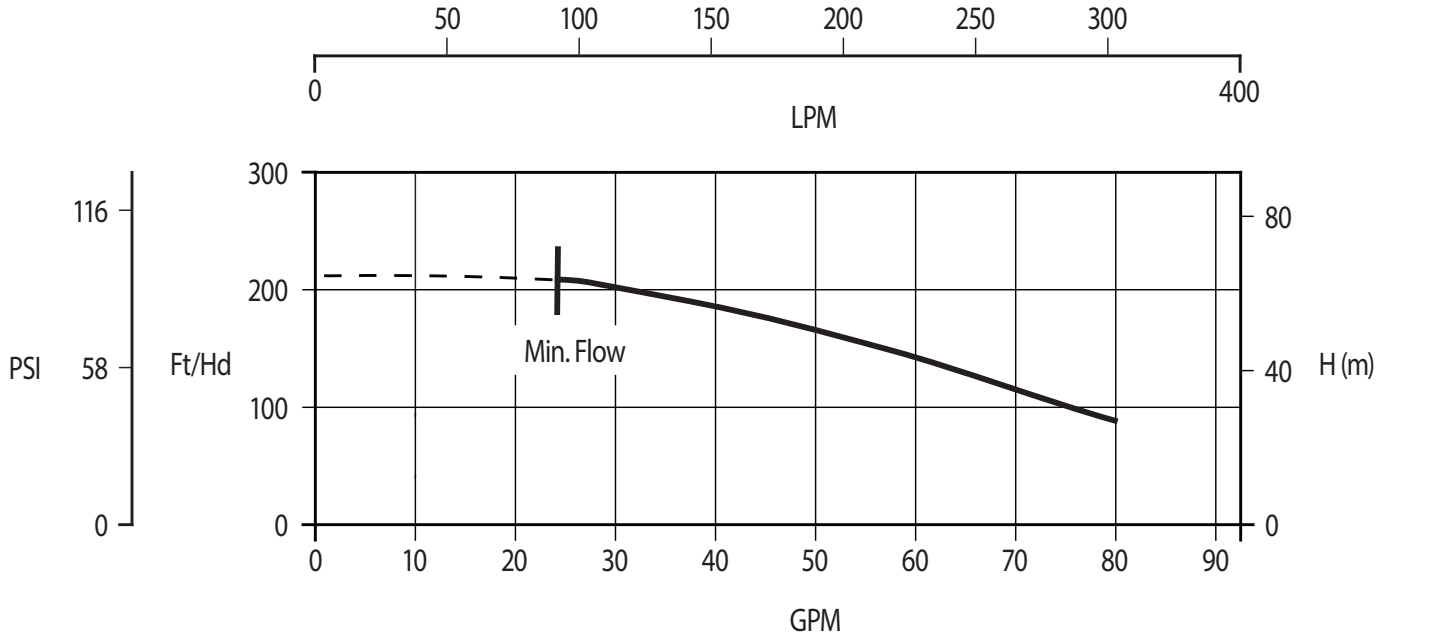
Pump	59.4 lbs
------	----------

* For other clean liquids, consult Cat Pumps.

Note: See PN 99SVM001 for complete operating instructions, installation and maintenance manual information.

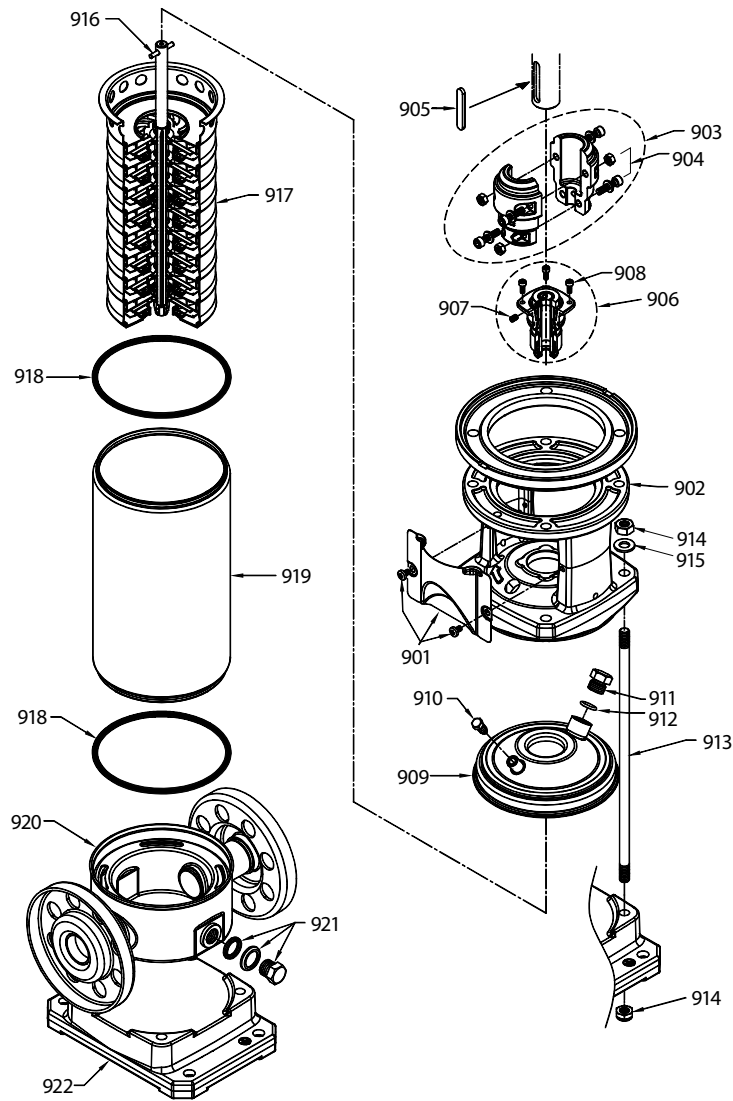
PERFORMANCE CURVE – 3450 RPM

79 gpm, 203 Ft/Hd



Water Temperature: 68° F (20° C)

EXPLODED VIEW



PARTS LIST

ITEM	P/N	MATL	DESCRIPTION	QTY	ITEM	P/N	MATL	DESCRIPTION	QTY
901	—	S	Assembly, Coupler Guard	2	913	—	STZP	Rod, Tie	4
902	—	F	Bracket, Motor	1	914	—	STZP	Nut, Tie Rod	4
903	—	AL	Coupling (2-Piece)	1	915	—	STZP	Washer, Tie Rod	4
904	—	STL	Hardware, Coupling (M6)	4	916	—	STL	Pin, Shaft	1
905	—	S	Key, Adjuster	1	917	—	S	Assembly, Hydraulic	1
906	—	FSC	Seal, Mechanical	1	918	—	FPM	O-Ring, Outer Casing	2
907	—	STL	Screw, Set	1	919	—	S	Casing, Outer	1
908	—	STZP	Screw, Mechanical Seal Seat	4	920	—	S	Casing, Bottom	1
909	—	S	Cover, Casing	1	921	—	S	Assembly, Plug, Drain	2
910	—	S	Plug, Priming	1	922	—	AL	Base	1
911	—	S	Plug	1	923	—	—	Kit, Seal (Includes: 906, 918)	1
912	—	FPM	O-Ring, Plug	1	924	—	—	Kit, Hydraulic (Includes: 905, 906, 917, 918)	1

Italics are optional items

Material Codes (Not part of part number):

AL= Aluminum F= Cast Iron FPM= Fluorocarbon FSC= FPM with Silicon Carbide S= 304 Stainless Steel STL= Steel STZP= Steel/Zinc Plated

