

MODEL 301.C02



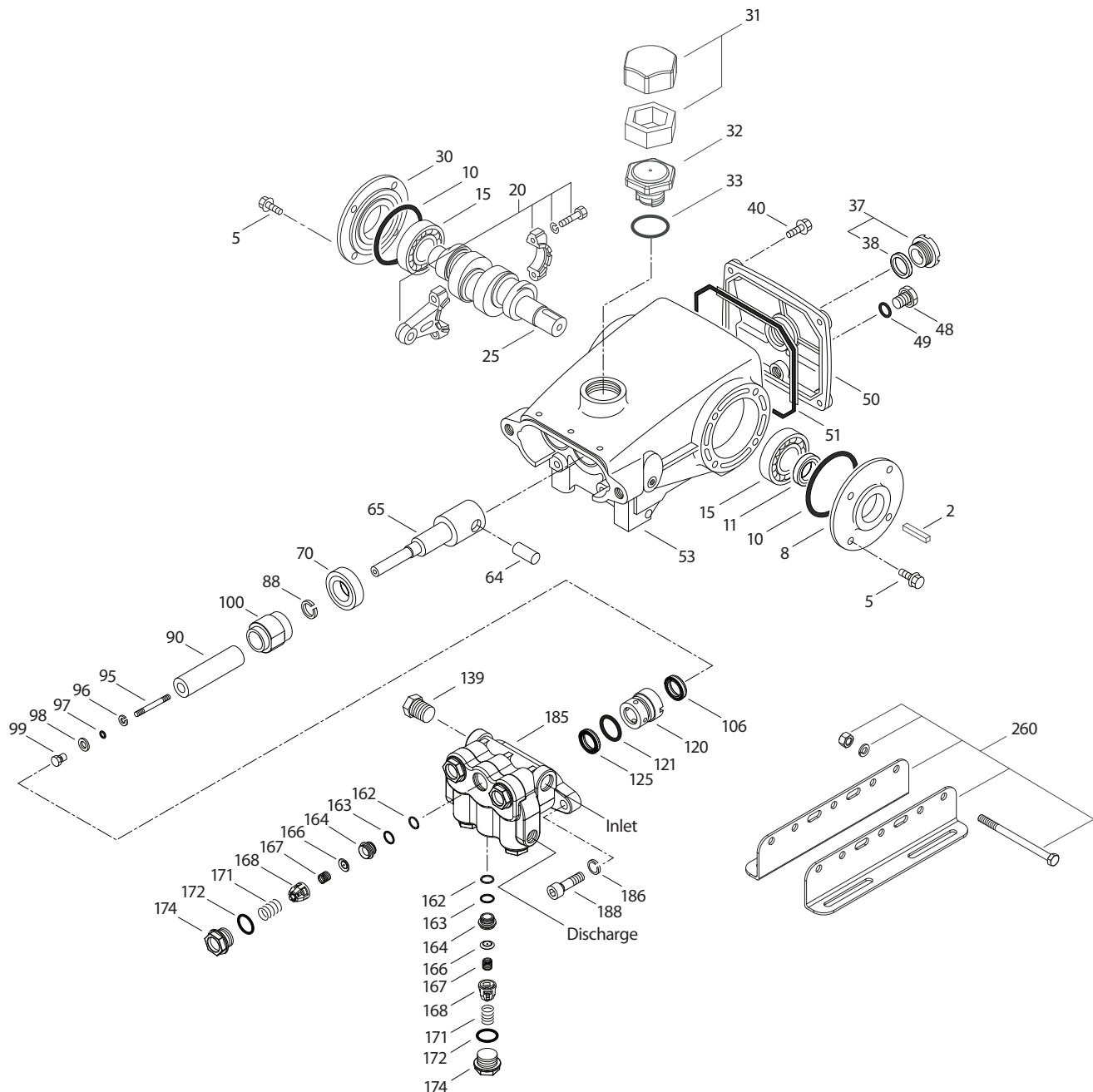
SPECIFICATIONS	U.S. Measure	Metric Measure
Flow	0.68 gpm	2.57 lpm
Pressure Range	400–2200 psi	28–152 bar
Pump RPM*	450 rpm	450 rpm
Inlet Pressure Range**	300–750 psi	21–52 bar
Min. Liquid Temperature**	-20° F	-29° C
Bore	0.787"	20 mm
Stroke	0.315"	8 mm

SPECIFICATIONS	U.S. Measure	Metric Measure
Crankcase Capacity	18 oz	0.53 l
Inlet Ports (2)	½" NPT(F)	½" NPT(F)
Discharge Ports (2)	¾" NPT(F)	¾" NPT(F)
Shaft Diameter	0.787"	20 mm
Weight	20.1 lbs	9.1 kg
Dimensions	11.73 x 8.27 x 5.28"	298 x 210 x 134 mm

* Pump minimum is 100 RPM

** Temperature and pressure must be maintained to keep incoming CO₂ in a liquid state.

EXPLODED VIEW



(Parts List on Reverse Side)

PARTS LIST

ITEM	PN	MATL	DESCRIPTION	QTY	ITEM	PN	MATL	DESCRIPTION	QTY
2	30057	STL	Key (M6 x 6 x 25)	1	98	44041	SS	Gasket, Plunger Retainer (12.5mm)	3
5	92538	S	Screw, HHC Sems (M6 x 16) (See Tech Bulletin 074)	8	99	44031	SS	Retainer, Plunger (M6) (See Tech Bulletin 074)	3
8	43344	AL	Cover, Bearing	1	100	701765	SS	Retainer, Seal	3
10	43343	NBR	O-Ring, Cover, Bearing	2	106	701763	SFTA	Seal, Low-Pressure with NIH-Spring	3
11	43222	NBR	Seal, Oil, Crankshaft	1	120	45680	SS	Case, Seal (See Tech Bulletin 074)	3
15	14480	STL	Bearing, Ball	2	121	14200	NBR	O-Ring, Seal Case	3
20	45883	HS	Rod, Connecting (See Tech Bulletin 074)	3	125	701764	SFTA	Seal, High-Pressure with NIH-Spring	3
25	44923	FCM	Crankshaft, Single-End (M8)	1	139	45156	SS	Plug, Inlet (1/2" NPT[M])	1
30	44949	AL	Cover, Bearing, Blind	1	162	48361	D	Backup Ring, Seat	6
31	828710	PE	Protector, Oil Cap with Foam Gasket	1	163	43358	NBR	O-Ring, Seat	6
32	43211	ABS	Cap, Oil Filler	1	164	44128	SS	Seat	6
33	14177	NBR	O-Ring, Filler Cap	1	166	543669	SS	Valve	6
37	92241	PC	Gauge, Oil, Bubble with Gasket (See Tech Bulletin 074)	1	167	44056	SS	Spring	6
38	44428	NBR	Gasket, Flat, Oil Gauge	1	168	44565	PVDF	Retainer, Spring	6
40	92542	S	Screw, HHC Sems (M6 x 20) (See Tech Bulletin 074)	4	171	44832	S	Spring, Coil	6
48	25625	STCP	Plug, Drain (1/4" x 19 BSP)	1	172	49382	NBR	O-Ring, Valve Plug	6
49	23170	NBR	O-Ring, Drain Plug	1	174	49296	SS	Plug, Valve (See Tech Bulletin 074)	6
50	48772	AL	Cover, Rear	1	185	45151	SS	Head, Manifold	1
51	48773	NBR	O-Ring, Rear Cover	1	186	15847	S	Lockwasher (M10)	2
53	48769	AL	Crankcase	1	188	87950	S	Screw, HSH (M10 x 35) (See Tech Bulletin 074)	2
64	43351	CM	Pin, Crosshead	3	255	30243	STZP	Mount, Direct (Not Shown)	1
65	45256	SSZZ	Rod, Plunger	3	260	30611	STZP R	Mount, Rail, Assembly	1
70	43228	NBR	Seal, Oil, Crankcase	3	275	30944	STL	Hub "H", Key Assembly (Includes: 30945, 30057) (Not Shown)	1
88	45697	S	Washer, Keyhole (M18 x M10)	3	283	34334	—	Kit, Oil Drain (3/8" x 48") (Not Shown)	1
90	43367	CC	Plunger (M20 x 72)	3	300	76152	NBR*	Kit, Seal (Includes: 97, 106, 121, 125)	1
95	89653	SS	Stud, Plunger Retainer (M6 x 58)	3	310	31152	NBR	Kit, Valve (Includes: 162-164, 166-168, 171, 172)	2
96	43235	PTFE	Backup Ring, Plunger Retainer	3	—	6107	—	Oil, Bottle (21 oz) (Fill to Specified Crankcase Capacity Prior to Start-up)	1
97	17399	NBR	O-Ring, Plunger Retainer	3					

Italics are optional items. R Components comply with RoHS Directive.

* Review material codes for individual items (SFTA may be used as an alternative).

For additional technical information see www.catpumps.com/literature/tech-bulletins.

MATERIAL CODES (Not Part of Part Number): ABS=ABS Plastic AL=Aluminum CC=Ceramic CM=Chrome-Moly
D=Acetal FCM=Forged Chrome-Moly HS=High Strength NBR=Medium Nitrile (Buna-N) NIH=High Nickel Alloy
PC=Poly Carbonate PE=Polyethylene PTFE=Pure Polytetrafluoroethylene PVDF=Polyvinylidene Fluoride
S=304SS SFTA=Special Blend PTFE Tan SS=316SS SSZZ=316SS/Zamak STCP=Steel/Chrome Plated
STL=Steel STZP=Steel/Zinc Plated

⚠ CAUTIONS AND WARNINGS

All high-pressure systems require a primary pressure regulating device (e.g. regulator, unloader) and a secondary pressure relief device (e.g. pop-off valve, relief valve). Failure to install such relief devices could result in personal injury or damage to pump or property. Cat Pumps does not assume any liability or responsibility for the operation of a customer's high-pressure system.

Read all CAUTIONS and WARNINGS before commencing service or operation of any high-pressure system. The CAUTIONS and WARNINGS are included in each Service Manual and with each Accessory Data sheet. CAUTIONS and WARNINGS can also be viewed online at www.catpumps.com/dynamic-literature/cautions-and-warnings or can be requested directly from Cat Pumps.

WARRANTY

View the Limited Warranty online at www.catpumps.com/literature/cat-pumps-limited-warranty