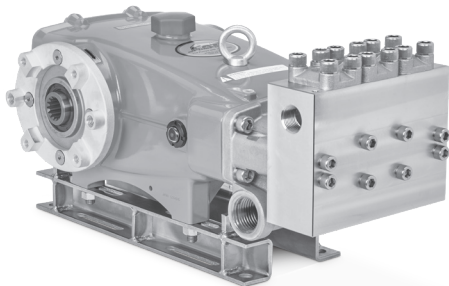


DATA SHEET

35 FRAME PLUNGER PUMPS



Models: 3560T14, 3560RST14



Model 3560RST14 Shown
(Mounting rails and RPM sensor sold separately)

FEATURES

- Triplex design ensures high efficiency and low pulsation.
- V-packings and low-pressure seals are completely lubricated and cooled by pumped liquid, greatly increasing service life.
- Wet-end easily serviced without entering crankcase.
- Pump comes standard with NBR seals.
- 14-tooth hollow spine shaft permits direct mounting of 2 or 4-bolt SAE C hydraulic motors to the pump, greatly reducing the space requirement.
- Optional RPM sensor provides electronic pump speed feedback to an electronic control system.

SPECIFICATIONS

	U.S. Measure	Metric Measure
Flow	20 gpm	76 lpm
Pressure Range	100–4000 psi	6.9–275 bar
Pump RPM*	1160 rpm	1160 rpm
Inlet Pressure Range	Flooded to 70 psi	Flooded to 4.8 bar
Maximum Liquid Temp. (NBR)	160° F	71° C
Bore	0.984"	25 mm
Stroke	1.890"	48 mm
Crankcase Capacity	4.2 qts	4 l
Inlets Ports (2)	1½" NPT(F)	1½" NPT(F)
Discharge Ports (2)	1" NPT(F)	1" NPT(F)
Hollow Shaft	1.25" Spline –12/24 Pitch, 14 Tooth	
Weight	136 lbs	61.8 kg
Dimensions	23.54 x 13.03 x 9.88"	598 x 331 x 251 mm

ALTERNATE SPECIFICATIONS

	U.S. Measure	Metric Measure
Flow	25 gpm	95 lpm
Pressure Range	100–3000 psi	6.9–207 bar
Pump RPM *	1450 rpm	1450 rpm

*Pump minimum is 100 RPM

DETERMINING THE PUMP RPM

$$\frac{\text{Rated gpm}}{\text{Rated rpm}} = \frac{\text{Desired gpm}}{\text{Desired rpm}}$$

DETERMINING TORQUE

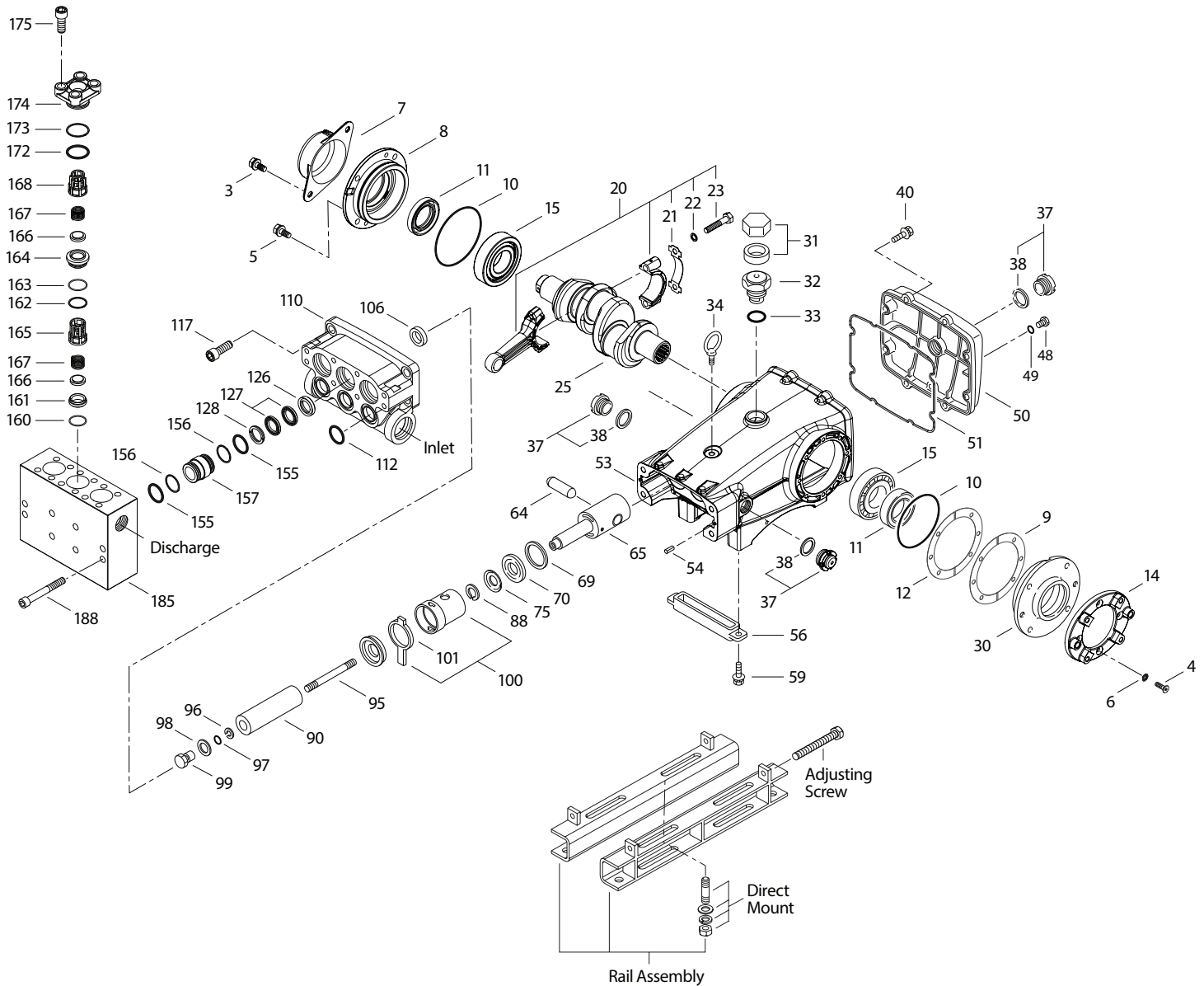
$$\text{Torque} = \frac{3.6 \times (\text{gpm} \times \text{psi})}{\text{rpm}}$$

Refer to pump **Service Manual** for repair procedure and additional technical information.

PARTS LIST

ITEM	P/N	MATL	DESCRIPTION	QTY
3	866895	SS	Screw (M10 x 30), Sensor Cover with Lockwasher, Flatwasher (See Tech Bulletin 074)	2
4	31302	S	Screw, Flat Head (M10 x 35) (Spline Side) (See Tech Bulletin 074)	4
5	96049	S	Screw, Sems (M10 x 25) (See Tech Bulletin 074)	4
6	31348	S	Lockwasher (M12)	4
7	32341	AL	Cover, Sensor	1
8	134604	ALE	Cover, Bearing	1
9	815279	FBR	Shim, Split, 2-Piece	0-2
10	12398	NBR	O-Ring, Cover, Bearing	2
11	13296	NBR	Seal, Oil, Crankshaft	2
12	855049	S	Shim, Split, 2-Piece	0-2
14	32347	AL	Flange SAE C	1
15	29326	STL	Bearing, Roller	2
20	121467	TNM	Rod, Connecting (Includes: 21, 22, 23) (See Tech Bulletin 074)	3
21	126749	STCP R	Washer, Locking (M10)	3
22	126593	STCP R	Shim, Washer (M10.5 x 1.5)	6
23	122045	STZP	Screw, HH (M10 x 55)	6
25	670207	FCM	Crankshaft, Single-End Spline (M48)	1
30	132723	ALE	Cover, Bearing, Unpainted with Pilot	1
31	828710	PE	Protector, Oil Cap with Foam Gasket	1
32	43211	ABS	Cap, Oil Filler	1
33	14177	NBR	O-Ring, Oil Filler Cap	1
34	126743	STCP R	Bolt, Eye (M12 x 1.75) (For Lifting Pump Only)	1
37	92241	PC	Gauge, Oil, Bubble with Gasket (See Tech Bulletin 074)	3
38	44428	NBR	Gasket, Flat, Oil Gauge	3
40	125753	S	Screw, HHC Sems (M8 x 25) (See Tech Bulletin 074)	8
48	25625	STCP	Plug, Drain (1/4" x 19 BSP)	1
49	23170	NBR	O-Ring, Drain Plug	1
50	45936	ALE	Cover, Rear	1
51	16612	NBR	O-Ring, Cover, Rear	1
53	134786	ALE	Crankcase Assembly (Includes: 54)	1
54	27488	S	Pin, Guide	2
56	27790	POP	Pan, Oil	1
59	92538	S	Screw, HHC Sems (M6 x 16)	2
64	43864	CM	Pin, Crosshead	3
65	49076	SHB	Rod, Plunger	3
69	126587	STCP R	Washer, Oil Seal	3
70	100488	NBRS	Seal, Oil, Crankcase	3
75	110669	S	Slinger, Barrier	3
88	110670	S	Washer, Keyhole (M16)	3
90	48535	CC	Plunger (M25 x 110)	3
95	126549	STCP R	Stud, Plunger Retainer (M7 x 103)	3
96	20184	PTFE	Backup Ring, Plunger Retainer	3
97	14190	NBR	O-Ring, Plunger Retainer	3
98	44069	SS	Gasket, Retainer	3
99	44068	SS	Retainer, Plunger (M7) (See Tech Bulletin 074)	3
100	855017	—	Retainer, Seal 2-Piece	3
101	44096	—	Wick, Long Tab	3
106	44086	NBR	Seal, Low-Pressure with SS-Spring	3
110	49759	FBB	Manifold, Inlet	1
112	11379	NBR	O-Ring, Inlet Manifold	3
117	44585	S	Screw, HSH (M14 x 40) (See Tech Bulletin 074)	4
126	48538	BB	Adapter, Female	3
127	44610	STG	V-Packing	6
128	48539	BB	Adapter, Male	3
155	17629	NBR	O-Ring, Spacer V-Packing	6
156	28243	PTFE	Backup Ring, Spacer V-Packing	6
157	49082	BB	Spacer, V-Packing	3
160	49092	NBR	O-Ring, Seat, Inlet	3
161	49091	S	Seat, Inlet	3
162	49088	PTFE	Backup Ring, Discharge Seat	3
163	49087	NBR	O-Ring, Seat, Discharge	3
164	49086	S	Seat, Discharge	3
165	49090	PVDF	Retainer, Spring, Inlet	3
166	49089	S	Valve	6
167	44109	SS	Spring	6
168	49085	PVDF	Retainer, Spring, Discharge	3
172	18690	NBR	O-Ring, Valve Plug	3
173	20369	PTFE	Backup Ring, Valve Plug	3
174	49093	BB	Plug, Valve	3
175	550176	S	Screw, HSH (M14 x 35) (See Tech Bulletin 074)	12
185	49084	SS	Manifold, Discharge	1
188	49045	S	Screw, HSH (M12 x 95) (See Tech Bulletin 074)	8

EXPLODED VIEW



Model 3560T14
June 2026

OPTIONAL PARTS AND ACCESSORIES

PART	DESCRIPTION	QTY
92674	Mount, Rail Assembly (Includes: 34018)	1
34018	Mount, Direct	1
80540	Screw, Adjusting (M12 x 100)	2
34334	Kit, Oil Drain (3/8" x 24") (Not Shown)	1
997878	Plug, Valve, Center with 1/4" NPT(F) Port (Not Shown)	1
—	RPM Sensor (Not Shown)	1

SERVICE PARTS

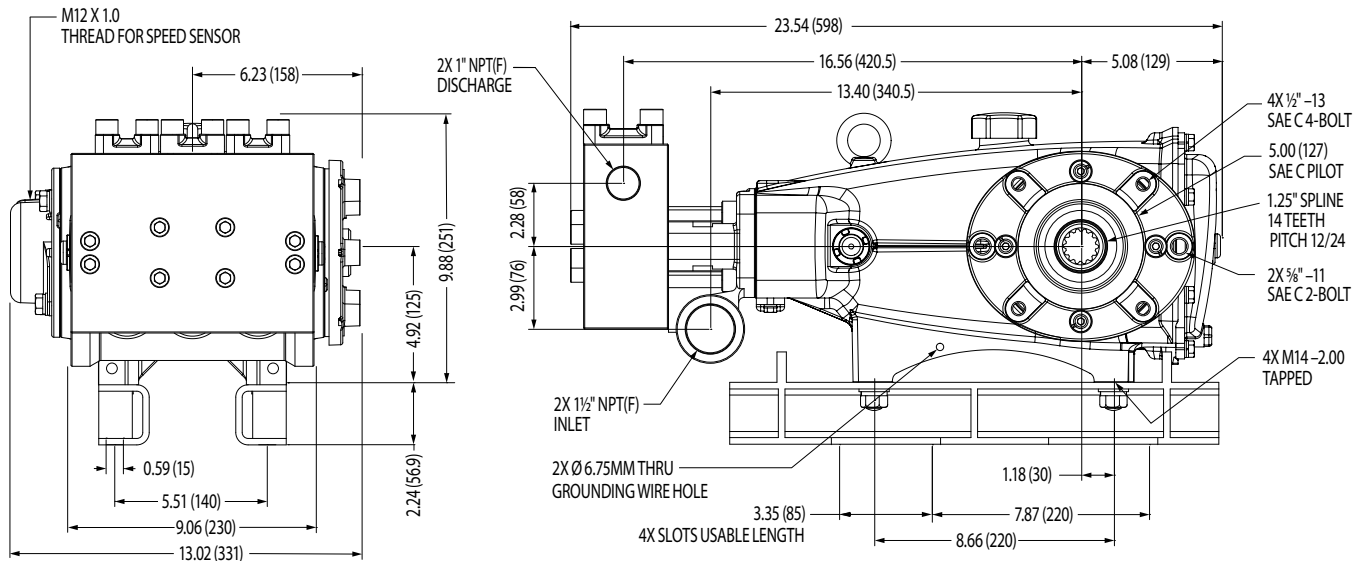
PART	DESCRIPTION	QTY
31280	Kit, Seal – Standard NBR	1
31292	Kit, Valve – Standard NBR	1
6100	Oil, Case (12 – 21 oz bottles) (Fill to Specified Crankcase Capacity Prior to Start-Up)	1
6106	Lubricant, Anti-Seize (2 mL)	1
32273	Crankcase Oil Seal Removal and Installation Kit (Not Shown) (Includes: Oil Seals, Guide Tool, Screws, Washers, Driver)	1
30696	Pliers, Reverse (Not Shown)	1

Italics are optional items. R Components comply with RoHS Directive.

For additional technical information see www.catpumps.com/literature/tech-bulletins.

MATERIAL CODES (Not Part of Part Number): ABS=ABS Plastic AL=Aluminum ALE=Aluminum Epoxy BB=Brass CC=Ceramic CM=Chrome-Moly
 FBB=Forged Brass FBR=Fiber FCM=Forged Chrome-Moly NBR=Medium Nitrile (Buna-N) NBRs=Buna,Silicone Free PC=Poly Carbonate
 PE=Polyethylene POP=Polypropylene PTFE=Pure Polytetrafluoroethylene PVDF=Polyvinylidene Fluoride S=304SS SS=316SS
 SHB=304SS/High Strength Brass STCP=Steel/Chrome Plated STG=Special Blend PTFE White
 STL=Steel STZP=Steel/Zinc Plated TNM=Special High Strength

Kits – NBR listed on page 4.



Model 3560T14

SEAL KITS One (1) seal kit required per pump

PUMP MODELS	NBR (STD)
3560T14, 3560RST14	31280 *

ITEM (Included in Seal Kits)	DESCRIPTION	QTY
97	14190 O-Ring, Plunger Retainer	3
106	44086 Seal, Low-Pressure with SS-Spring	3
112	11379 O-Ring, Inlet Manifold	3
127	44610 V-Packing	6
155	17629 O-Ring, V-Packing Spacer	6
156	28243 Backup Ring, V-Packing Spacer	6

*Review material codes for individual items (STG may be used as alternative)

VALVE KITS One (1) valve kit required per pump

PUMP MODELS	NBR (STD)
3560T14, 3560RST14	31292

ITEM (Included in Valve Kits)	DESCRIPTION	QTY
160	49092 O-Ring, Seat, Inlet	3
161	49091 Seat, Inlet	3
162	49088 Backup Ring, Discharge Seat	3
163	49087 O-Ring, Discharge Seat	3
164	49086 Seat, Discharge	3
165	49090 Retainer, Spring, Inlet	3
166	49089 Valve	6
167	44109 Spring	6
168	49085 Retainer, Spring, Discharge	3
172	18690 O-Ring, Valve Plug	3
173	20369 Backup Ring, Valve Plug	3

⚠ CAUTIONS AND WARNINGS

All high-pressure systems require a primary pressure regulating device (e.g. regulator, unloader) and a secondary pressure relief device (e.g. pop-off valve, relief valve). Failure to install such relief devices could result in personal injury or damage to pump or property. Cat Pumps does not assume any liability or responsibility for the operation of a customer's high-pressure system. Read all CAUTIONS and WARNINGS before commencing service or operation of any high-pressure system. The CAUTIONS and WARNINGS are included in each Service Manual and with each Accessory Data sheet. CAUTIONS and WARNINGS can also be viewed online at www.catpumps.com/dynamic-literature/cautions-and-warnings or can be requested directly from Cat Pumps.

WARRANTY

View the Limited Warranty online at www.catpumps.com/literature/cat-pumps-limited-warranty