



## Stainless Steel Square Insulated High Pressure Lance

**Models**                    **31219**  
                                         **31220**

### FEATURES

- Square ventilated durable blue nylon for operator comfort and safety.
- Suitable for hot or cold water blasting.
- Durable nozzle protector reduces nozzle clogging and damage.
- New higher pressure rating.

**SELECTION:** Select a lance that matches the system flow and pressure to assure safety during operation.

**INSTALLATION:** Install these single lances to any 1/4" gun. Use PTFE thread tape or pipe thread sealant to assure a leak proof fit.

### SPECIFICATIONS

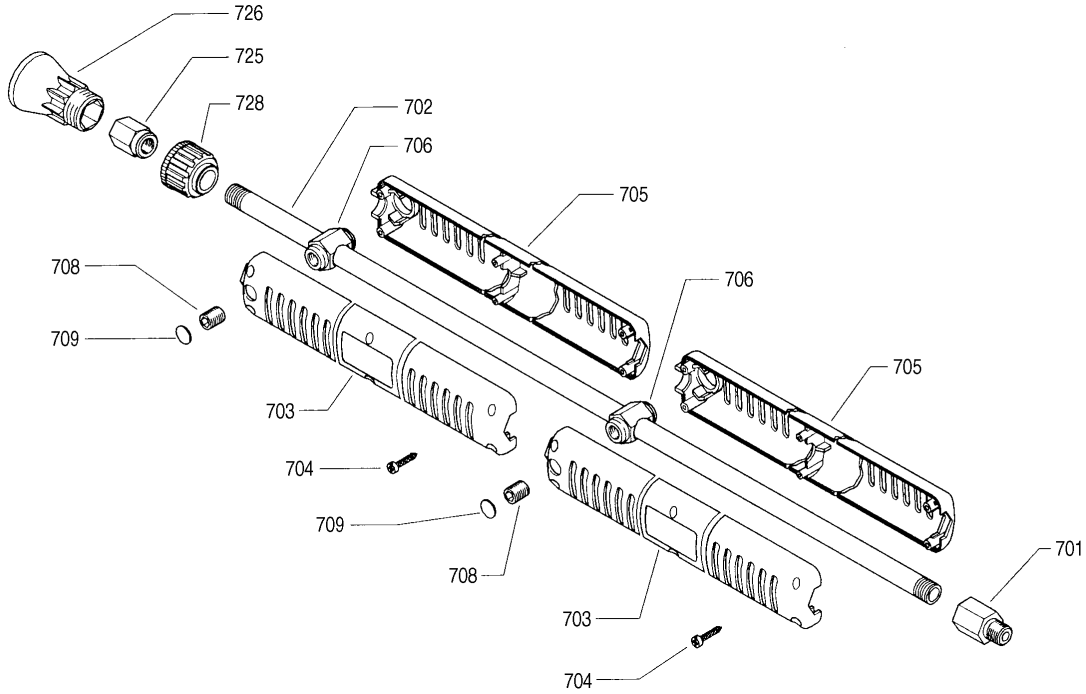
	U.S. Measure	Metric Measure
<b>MODEL 31219</b>		
Maximum Flow .....	8 GPM	(30 L/M)
Maximum Pressure .....	5100 PSI	(350 BAR)
Maximum Temperature .....	320°F	(160°C)
Inlet Fitting.....	1/4" NPTM	(1/4" NPTM)
Nozzle Holder .....	1/4" NPTF	(1/4" NPTF)
Weight.....	31.6 oz.	(.89 kg)
Overall Length.....	32"	(800 mm)
<b>MODEL 31220</b>		
Maximum Flow .....	8 GPM	(30 L/M)
Maximum Pressure .....	5100 PSI	(350 BAR)
Maximum Temperature .....	320°F	(160°C)
Inlet Fitting.....	1/4" NPTM	(1/4" NPTM)
Nozzle Holder .....	1/4" NPTF	(1/4" NPTF)
Weight.....	33.8 oz.	(.96 kg)
Overall Length.....	42"	(1050 mm)

**OPERATION:** Flow goes through the lance as soon as the trigger on the gun is squeezed.

**⚠ WARNING**

Severe injury can occur with high pressure spray.  
Do not allow spray to contact any part of body.

## EXPLODED VIEW



### PARTS LIST

ITEM	P/N	MATL	DESCRIPTION	QTY
701	31868	S	Fitting, Inlet (1/4" NPTM x 1/4" NPTF)	1
702	—	S	Tube (800 mm)	1
	—	S	Tube (1050 mm)	1
703	—	NY	Cover, Lance - Left	1/2
704	—	STZP	Screw, Self Threading (M3.5 x 18)	6/12
705	—	NY	Cover, Lance - Right	1/2
706	31097	AL	Frame, Insulator	1/2
708	32870	STZP	Screw, Cover (M10)	1/2
709	—	NY	Plug, Cover	1/2
725	32232	SSS	Holder, Nozzle (1/4" NPTF x 1/4" NPTF)	1
726	31060	—	Protector, Nozzle	1
728	31110	NY	Collar, Protector	1
735	31169	NY	<i>Assembly, Protector (Incls: 728, 726)</i>	1
736	31239	NY	<i>Assembly, Insulator (Incls: 703, 704, 705, 706)</i>	1/2

*Italics are optional items.*

Material Codes (Not Part of Part No.):

AL=Aluminum NY=Nylon S=304SS SSS=416SS STZP=Steel/Zinc Plated

### TROUBLESHOOTING

Leaking at gun nozzle connection	• Check fitting for proper sealant and reconnect to gun.
Leaking at nozzle	• Check for proper sealant at lance and nozzle protector connection and reconnect.
Broken nozzle protector	• Replace to assure nozzle life.

### WARRANTY

#### 90 Day Warranty

Refer to complete CAT PUMPS Warranty for further information.

### World Headquarters

#### CAT PUMPS

1681 - 94th Lane N.E. Minneapolis, MN 55449-4324

Phone (763) 780-5440 — FAX (763) 780-2958

e-mail: techsupport@catpumps.com

www.catpumps.com

### International Inquiries

FAX (763) 785-4329

e-mail: intlsales@catpumps.com



**The Pumps with Nine Lives**

### CAT PUMPS (U.K.) LTD.

1 Fleet Business Park, Sandy Lane, Church Crookham

FLEET, Hampshire, GU52 8BF, England

Phone Fleet 44 1252-622031 — Fax 44 1252-626655

e-mail: sales@catpumps.co.uk

### N.V. CAT PUMPS INTERNATIONAL S.A.

Heiveldkens 6A, B-2550 Kontich, Belgium

Phone 32-3-450.71.50 — Fax 32-3-450.71.51

e-mail: cpi@catpumps.be www.catpumps.be

### CAT PUMPS DEUTSCHLAND GmbH

Buchwiese 2, D-65510 Idstein, Germany

Phone 49 6126-9303 0 — Fax 49 6126-9303 33

e-mail: catpumps@t-online.de www.catpumps.de