

DATA SHEET

TURBO NOZZLE



Brass Models: 7265, 7270



7270 Series

7265 Series

SPECIFICATIONS

7265

	U.S.	Metric
Flow Range	1.0 - 5.7 gpm	3.8 - 22 lpm
Pressure Range	1200 - 3000 psi	83 - 207 bar
Max. Temperature	194° F	90° C
Inlet Fitting	1/4" BSP(F)	1/4" BSP(F)
Weight	11.63 oz.	.33 kg
Dimensions	3.34 x 1.59"	85 x 40.5 mm

7270

Flow Range	3.0 - 10.0 gpm	11.4 - 38 lpm
Pressure Range	2000 - 5000 psi	138 - 345 bar
Max. Temperature	194° F	90° C
Inlet Fitting	1/4" BSP(F)	1/4" BSP(F)
Weight	25.5 oz.	.72 kg
Dimensions	4.42 x 2.16"	112.5 x 55 mm

FEATURES

- Converts 0° blasting power to a 25° spinning action to agitate dirt loose.
- Quickly mounts to any 1/4" lance.
- Unique spinning action quickly covers a wide path with intense cleaning results.
- Durable ceramic nozzle offers greater resistance to wear.

⚠ WARNING

Do not allow spray to contact any part of the body or animals. Pumped liquids under high pressure can pierce skin and underlying tissue or can deflect debris leading to serious personal injury or death.

1. Relieve all line pressure in the inlet line to the pump and discharge line from the pump before performing any maintenance on the pump nozzle.

SELECTION

Select a nozzle from Nozzle Selection Chart to match the flow and pressure requirements of your system.

INSTALLATION

Remove any standard spray nozzle from the high pressure lance. Place PTFE thread tape or pipe thread sealant on threaded lance ends and tighten the turbo nozzle onto the lance. Fits standard 1/4" lance rated to nozzle specification.

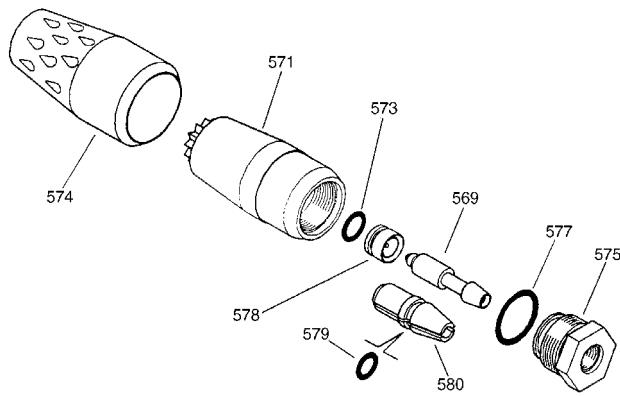
OPERATION

The Turbo Nozzle is a specially designed nozzle which converts 0° blasting penetration to a 25° spinning action to offer greater cleaning intensity. As water enters the inlet fitting, the nozzle assembly begins to spin, resulting in a spiral blasting pattern as you move the nozzle across the surface being cleaned.

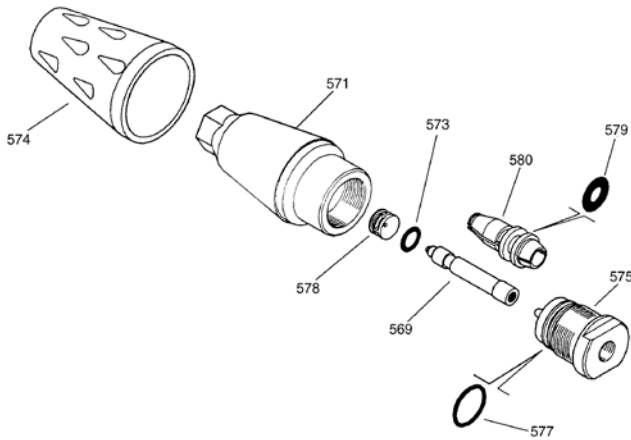
MAINTENANCE

A loss in system pressure is often the result of a worn or improperly sized nozzle. Periodically replace nozzle.

7265 EXPLODED VIEW



7270 EXPLODED VIEW



7265 SERIES PARTS LIST

ITEM	P/N	MATL	DESCRIPTION	QTY
569	—	BB/CC	Nozzle Assy (2.0) Light Green (Incls: 569, 573, 577, 578, 579, 580)	1
—	—	BB/CC	Nozzle Assy (3.0) White (Incls: 569, 573, 577, 578, 579, 580)	1
31113	BB/CC	Nozzle Assy (3.5) Brown (Incls: 569, 573, 577, 578, 579, 580)	1	
31114	BB/CC	Nozzle Assy (4.0) Dark Yellow (Incls: 569, 573, 577, 578, 579, 580)	1	
31115	BB/CC	Nozzle Assy (4.5) Dark Blue (Incls: 569, 573, 577, 578, 579, 580)	1	
31116	BB/CC	Nozzle Assy (5.0) Light Purple (Incls: 569, 573, 577, 578, 579, 580)	1	
31118	BB/CC	Nozzle Assy (5.5) Red (Incls: 569, 573, 577, 578, 579, 580)	1	
31630	BB/CC	Nozzle Assy (6.0) Dark Green (Incls: 569, 573, 577, 578, 579, 580)	1	
31119	BB/CC	Nozzle Assy (6.5) Light Blue (Incls: 569, 573, 577, 578, 579, 580)	1	
571	—	BB	Body	1
573	—	NBR	O-Ring, Seat	1
574	31241	—	Protector, Nozzle	1
575	—	BB	Fitting, Inlet (2.0) 1/4" BSPF	1
—	—	BB	Fitting, Inlet (3.0) 1/4" BSPF	1
31332	BB	Fitting, Inlet (3.5) 1/4" BSPF	1	
31333	BB	Fitting, Inlet (4.0) 1/4" BSPF	1	
31334	BB	Fitting, Inlet (4.5) 1/4" BSPF	1	
31335	BB	Fitting, Inlet (5.0) 1/4" BSPF	1	
31336	BB	Fitting, Inlet (5.5) 1/4" BSPF	1	
31639	BB	Fitting, Inlet (6.0) 1/4" BSPF	1	
31337	BB	Fitting, Inlet (6.5) 1/4" BSPF	1	
577	—	NBR	O-Ring, Fitting Inlet	1
578	—	CC	Seat	1
579	—	NBR	O-Ring, Nozzle Holder	1
580	—	NY	Holder, Nozzle	1

MATERIAL CODES (Not Part of Part Number):

BB=Brass CC=Ceramic NBR=Medium Nitrile (Buna-N) NY=Nylon

7265 NOZZLE SELECTION CHART

Nozzle Volume (gpm) at Various Pressures (psi)

Model	Nozzle Size	1200 (83)	1500 (103)	2000 (138)	2500 (172)	3000 (207)
7265.20	2.0	1.1	1.2	1.4	1.6	1.7
7265.30	3.0	1.6	1.9	2.1	2.4	2.6
7265.35	3.5	1.9	2.2	2.5	2.7	3.0
7265.40	4.0	2.2	2.5	2.8	3.1	3.5
7265.45	4.5	2.4	2.8	3.0	3.6	3.9
7265.50	5.0	2.8	3.1	3.6	4.0	4.4
7265.55	5.5	3.0	3.4	3.8	4.4	4.8
7265.60	6.0	3.2	3.7	4.2	4.8	5.2
7265.65	6.5	3.6	4.0	4.6	5.2	5.7

7270 NOZZLE SELECTION CHART

Nozzle Volume (gpm) at Various Pressures (psi)

Model	Nozzle Size	2000 (138)	2500 (172)	3000 (207)	4000 (275)	5000 (345)
7270.45	4.5	3.0	3.6	3.9	4.5	5.0
7270.55	5.5	3.8	4.4	4.8	5.5	6.2
7270.65	6.5	4.6	5.2	5.7	6.5	7.3
7270.80	8.0	5.6	6.2	7.0	8.0	8.9
7270.90	9.0	6.4	7.1	7.8	9.0	10.0

7270 SERIES PARTS LIST

ITEM	P/N	MATL	DESCRIPTION	QTY
569	31105	BB/CC	Nozzle Assy (4.5) Dark Blue (Incls: 569, 573, 577, 578, 579, 580)	1
31107	BB/CC	Nozzle Assy (5.5) Red (Incls: 569, 573, 577, 578, 579, 580)	1	
31108	BB/CC	Nozzle Assy (6.5) Light Blue (Incls: 569, 573, 577, 578, 579, 580)	1	
31649	BB/CC	Nozzle Assy (8.0) Silver (Incls: 569, 573, 577, 578, 579, 580)	1	
31109	BB/CC	Nozzle Assy (9.0) Gold (Incls: 569, 573, 577, 578, 579, 580)	1	
571	—	BB	Body	1
573	—	NBR	O-Ring, Seat	1
574	—	—	Protector, Nozzle	1
575	31329	BB	Fitting, Inlet (4.5) 1/4" BSPF	1
31328	BB	Fitting, Inlet (5.5) 1/4" BSPF	1	
31327	BB	Fitting, Inlet (6.5) 1/4" BSPF	1	
31658	BB	Fitting, Inlet (8.0) 1/4" BSPF	1	
31326	BB	Fitting, Inlet (9.0) 1/4" BSPF	1	
577	—	NBR	O-Ring, Fitting Inlet	1
578	—	CC	Seat	1
579	—	NBR	O-Ring, Nozzle Holder	1
580	—	NY	Holder, Nozzle	1

MATERIAL CODES (Not Part of Part Number):

BB=Brass CC=Ceramic NBR=Medium Nitrile (Buna-N) NY=Nylon

WARRANTY

View the 90 Day Warranty on-line at www.catpumps.com.



CAT PUMPS

1681 - 94TH LANE N.E. MINNEAPOLIS, MN 55449-4324
 PHONE (763) 780-5440 — FAX (763) 780-2958
 e-mail: techsupport@catpumps.com
www.catpumps.com