



(Panel bracket assembly sold separately)

## Pressure Sensitive Regulator Unloaders

**Models**

**7582**

**7583**

### FEATURES

- Provides system pressure setting and protection for single gun (non-weep) and single pump installation.
- Remove check valve for regulator/relief valve operation.
- Pressure sensitive feature permits wide range of flows and immediate pressure when gun opens.
- Adjusting cap permits easy adjustments of pressure.
- Panel mount bracket available.

### SPECIFICATIONS

	U.S. Measure	Metric Measure
Flow Range .....	0.5-8.0 gpm	(1.9-30.0 lpm)
Pressure Range (7582) .....	100-1000 psi	(7-70 bar)
(7583) .....	250-2000 psi	(17-140 bar)
Maximum Operating Temperatures:	194°F	(90°C)
Inlet Port (Back) .....	3/8" NPTM	(3/8" NPTM)
Outlet Port (Front) .....	3/8" NPTM	(3/8" NPTM)
By-Pass Port (Bottom) .....	3/8" NPTF	(3/8" NPTF)
Weight .....	12.8 oz.	(0.36 kg)
Dimensions .....	3.11 x 0.87 x 3.70"	(79 x 22 x 93.9 mm)

For Relief Valve version add .100 to unloader model number.

#### **⚠ CAUTIONS AND WARNINGS**

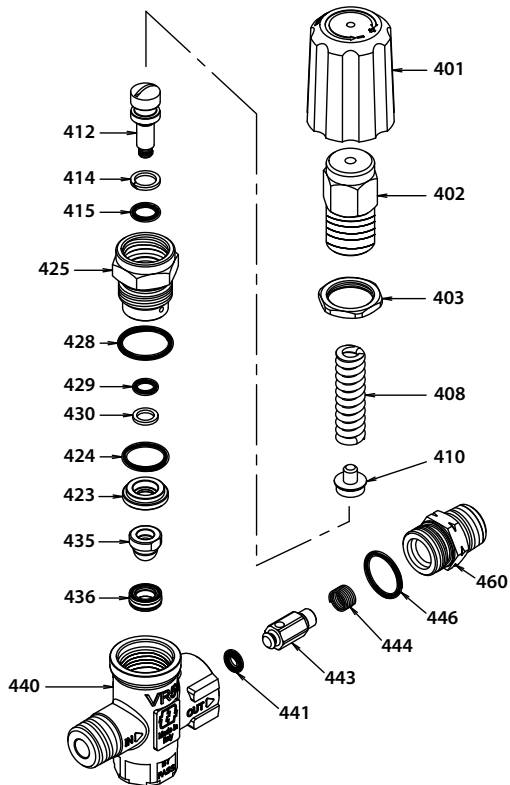
All High Pressure Systems require a primary pressure regulating device (i.e. regulator, unloader) and a secondary pressure relief device (i.e. pop-off valve, relief valve). Failure to install such relief devices could result in personal injury or damage to pump or property. CAT PUMPS does not assume any liability or responsibility for the operation of a customer's high pressure system.

Read all CAUTIONS and WARNINGS before commencing service or operation of any high pressure system. The CAUTIONS and WARNINGS are included in each service manual and with each Accessory Data sheet. CAUTIONS and WARNINGS can also be viewed online at [www.catpumps.com/cautions-warnings](http://www.catpumps.com/cautions-warnings) or can be requested directly from CAT PUMPS.

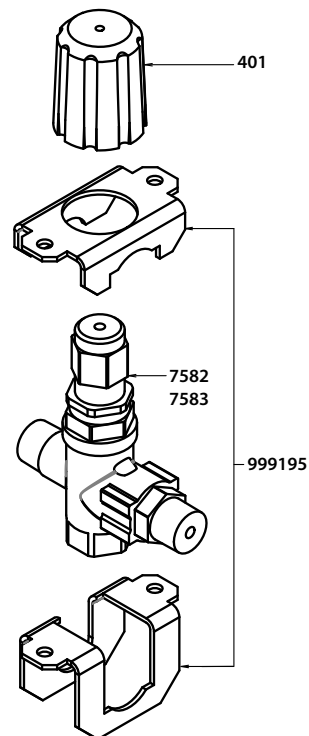
#### **WARRANTY**

View the Limited Warranty on-line at [www.catpumps.com/warranty](http://www.catpumps.com/warranty).

## EXPLODED VIEW



## BRACKET VIEW



## PARTS LIST

ITEM	PN	MATL	DESCRIPTION	QTY
401	—	NY	Handle, Adjusting	1
402	—	BB	Cap, Hex Adjusting	1
403	—	BB	Nut, Locking	1
408	—	STL	Spring, Pressure (Gold 100-1000)	1
	—	STL	Spring, Pressure (Silver 250-2000)	1
410	—	STL R	Retainer, Spring	1
412	—	S	Stem, Piston	1
414	—	PTFE	Back-up-Ring, Piston Stem	1
415	—	NBR	O-Ring, Piston Stem - 70D	1
423	—	BB	Retainer, Valve	1
424	—	NBR	O-Ring, Valve Retainer - 90D	1
425	—	BB	Retainer, Piston	1
428	—	NBR	O-Ring, Piston Retainer - 90D	1
429	—	NBR	O-Ring, Stem - 90D	1
430	—	PTFE	Back-up-Ring, Piston Stem	1
435	—	S	Valve Assembly	1
436	—	S	Seat w/NBR - 90D O-Ring	1
440	—	BB	Body	1
441	—	NBR	O-Ring, Check Valve - 70D	1
443	—	BB	Valve, Check	1
444	—	S	Spring, Check Valve	1
446	—	NBR	O-Ring, Discharge Fitting -90D	1
460	—	BB	Fitting, Discharge (3/8" NPTM)	1
470	76026	NBR	Kit, Repair (Incls: 414, 415, 424, 428, 429, 430, 435, 436, 441, 443, 444, 446)	1
471	999195	STZP	Assembly, Panel Bracket (Hardware Not Included)	1

*Italics are optional items. R Components comply with RoHS Directive.*

MATERIAL CODES (Not Part of Part Number): NBR=Medium Nitrile (Buna-N) NY=Nylon

PTFE=Pure Polytetrafluoroethylene S=304SS STL=Steel STZP=Steel/Zinc Plated



### CAT PUMPS

1681 - 94TH LANE N.E. MINNEAPOLIS, MN 55449-4324

PHONE (763) 780-5440 — FAX (763) 780-2958

e-mail: techsupport@catpumps.com

www.catpumps.com