

DATA SHEET

PRESSURE CLEANING ROTATING NOZZLE



BRASS MODELS

**7625.30, 7625.35, 7625.40, 7625.45, 7625.50,
7625.55, 7625.60, 7625.65, 7625.70, 7625.80**



SELECTION

The design of this rotating nozzle with its 0° degree stream means more efficient cleaning with less water. The 7625 rotating nozzle is available in a wide range of standard nozzle sizes to meet your system requirements of pressure and flow. A convenient chart is provided to aid in the selection of the correct nozzle size. The nozzle size is stamped into every nozzle next to the threaded port. Older models used a colored plug to identify nozzle size. **Note:** The minimum pressure to assure smooth rotation is 1200 psi. The maximum pressure for the 7625 series is 3650 psi.

INSTALLATION

The 7625 rotating nozzle is designed for mounting on a lance and can be used in any position. Position the nozzle for desired impact and coverage from the target. A position closer to the target will result in more impact and cleaning action. A position farther away from the target will result in wider spray coverage. Install the rotating nozzle using the 1/4" BSP(F) fitting. Use tape or pipe sealant on the adjoining threaded BSP(M) fitting and tighten the nozzle onto the fitting.

OPERATION

The 7625 rotating nozzle is specially designed, 0° straight stream nozzle that rotates at a 20° angle for high impact cleaning using less water. Its efficient high speed rotating jet of water offers better cleaning intensity than traditional flat fan nozzles. The nozzle uses an internal balanced and guided turbine to positively rotate the ceramic nozzle at high speed for complete cleaning coverage. The ceramic nozzle provides excellent wear resistance and long service life. **Note:** Test small area to determine best cleaning result for selected surface and to avoid damage.

MAINTENANCE

Replacement nozzle assemblies are available for each size nozzle for periodic maintenance. If the nozzle stops rotating, remove the nozzle and disassemble. Clean the internal passages of foreign material. If the nozzle loses pressure, remove the nozzle and disassemble. Replace the worn internal ceramic assembly. Do not adjust the unloader valve to compensate for the loss of pressure.

FEATURES

- High impact, rotating straight stream with 20° angle for intense cleaning action.
- Heavy duty, long wearing ceramic nozzle and seat for exceptional life.
- Rotating nozzle can be started and used in any position.
- Corrosion resistant brass construction with non-marring black cover.

SPECIFICATIONS

	U.S.	Metric
Flow Range	1.6 to 7.7 gpm	6 to 29 lpm
Pressure Range	1200 to 3650 psi	83 to 252 bar
Maximum Temperature	212° F	100° C
Inlet Fitting – Female	1/4" BSP	1/4" BSP
Weight	14.46 oz	0.41 kg
Dimensions	1.61 x 3.82"	41 x 97 mm

TROUBLE SHOOTING

Problem	Probable Cause
Will not rotate	• Ceramic seat or nozzle chipped or broken. Replace as needed.
No flow from nozzle	• Nozzle plugged. • Low flow to pump. • Filter to pump clogged.

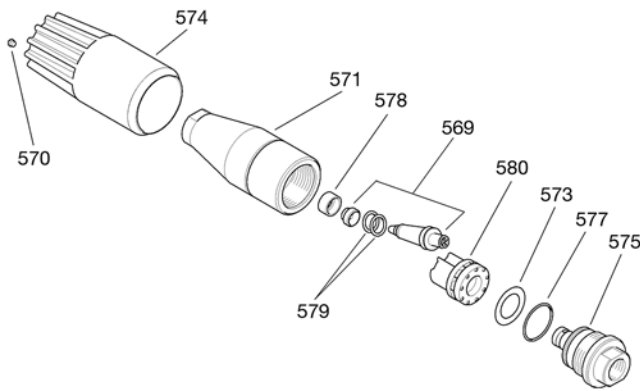
⚠ WARNING Always shut system off when changing guns, lances and nozzles to avoid accidental damage or injury.

⚠ WARNING Severe injury can occur with high pressure spray. Do not allow spray to contact any part of body.

7625 NOZZLE SELECTION CHART

Model	Nozzle Size	Color Coded Plug	Nozzle Flow (GPM) at Various Pressures					
			1200 psi 83 bar	1500 psi 103 bar	2000 psi 138 bar	2500 psi 172 bar	3000 psi 207 bar	3650 psi 252 bar
7625.30	3.0	White	1.6	1.9	2.1	2.4	2.6	2.9
7625.35	3.5	Brown	1.9	2.1	2.5	2.8	3.0	3.3
7625.40	4.0	Dk Yellow	2.2	2.5	2.8	3.2	3.5	3.8
7625.45	4.5	Blue	2.4	2.7	3.2	3.5	3.9	4.3
7625.50	5.0	Lt Purple	2.8	3.1	3.5	4.0	4.3	4.8
7625.55	5.5	Dk Red	3.0	3.3	3.9	4.3	4.8	5.2
7625.60	6.0	Dk Green	3.2	3.7	4.2	4.8	5.2	5.7
7625.65	6.5	Lt Blue	3.6	4.0	4.6	5.2	5.6	6.2
7625.70	7.0	Orange	3.8	4.3	5.0	5.5	6.0	6.7
7625.80	8.0	Silver	4.4	4.9	5.6	6.4	7.0	7.7

EXPLODED VIEW

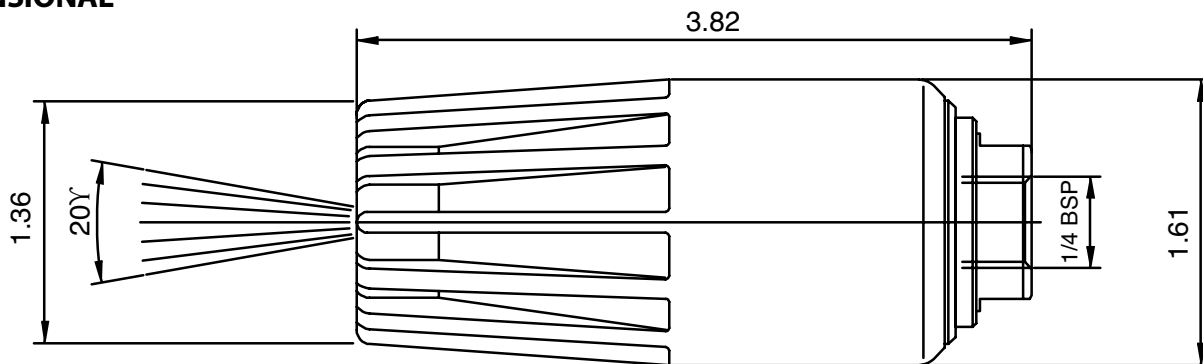


PARTS LIST

ITEM	P/N	MATL	DESCRIPTION	QTY
569	76401	BBCC	Nozzle Assy (3.0) White	1
	76402	BBCC	Nozzle Assy (3.5) Brown	1
	76403	BBCC	Nozzle Assy (4.0) Dark Yellow	1
	76404	BBCC	Nozzle Assy (4.5) Blue	1
	76406	BBCC	Nozzle Assy (5.0) Light Purple	1
	76407	BBCC	Nozzle Assy (5.5) Dark Red	1
	76408	BBCC	Nozzle Assy (6.0) Dark Green	1
	76409	BBCC	Nozzle Assy (6.5) Light Blue	1
	76412	BBCC	Nozzle Assy (7.0) Orange	1
	76413	BBCC	Nozzle Assy (8.0) Silver	1
571	—	BB	Body	1
573	31829	S	Washer	1
574	31436	—	Protector, Nozzle, Black	1
575	—	BB	Fitting, Inlet [1/4" BSP(F)]	1
577	32926	NBR	O-Ring, Fitting, Inlet - 90D	1
578	—	CC	Insert	1
579	31601	NBR	O-Ring, Nozzle (After 6/07)	2
580	31832	—	Turbine	1

MATERIAL CODES (Not Part of Part Number):
 BB=Brass BBCC=Brass/Ceramic CC=Ceramic
 NBR=Medium Nitrile (Buna-N) NY=Nylon S=304SS

DIMENSIONAL



⚠ CAUTIONS AND WARNINGS

All High Pressure Systems require a primary pressure regulating device (i.e. regulator, unloader) and a secondary pressure relief device (i.e. pop-off valve, relief valve). Failure to install such relief devices could result in personal injury or damage to pump or property. Cat Pumps does not assume any liability or responsibility for the operation of a customer's high pressure system.

Read all CAUTIONS and WARNINGS before commencing service or operation of any high pressure system. The CAUTIONS and WARNINGS are included in each service manual and with each Accessory Data sheet. CAUTIONS and WARNINGS can also be viewed online at www.catpumps.com/cautions-warnings or can be requested directly from Cat Pumps.

WARRANTY

View the Limited Warranty on-line at www.catpumps.com/warranty.



CAT PUMPS
 1681 - 94TH LANE N.E. MINNEAPOLIS, MN 55449-4324
 PHONE (763) 780-5440 — FAX (763) 780-2958
 e-mail: techsupport@catpumps.com
www.catpumps.com