

DATA SHEET

VERTICAL MULTISTAGE PUMP



**Stainless Steel
Model:**

810K4S7T3F



SPECIFICATIONS

Size

Suction 300# ANSI raised face 2.00"

Discharge 300# ANSI raised face 2.00"

HP 5 HP

RPM 3450 RPM

Liquid handled

Type of liquid Clean water (for other clean liquids, consult Cat Pumps)

Temperature -22° to +248°F (-30° to 120°C)

Working pressure 230 psi (16 bar) max.

Materials

Impeller AISI 304

Intermediate casing AISI 304

Bottom casing AISI 304

Casing cover AISI 304

Outer casing AISI 304

Shaft AISI 304

Liner ring PPS/AISI 304

Motor bracket Cast iron

Base Die Cast Aluminum

Lower Pump Bearings Tungsten carbide

Mechanical seal Silicon/Carbide/Carbon/FPM

Motor

Type NEMA 184TC frame, TEFC

Speed 60 Hz, 3450 RPM (2 poles)

Three Phase 208-230/460V

Direction of Rotation Clockwise when viewed from motor end

Weight

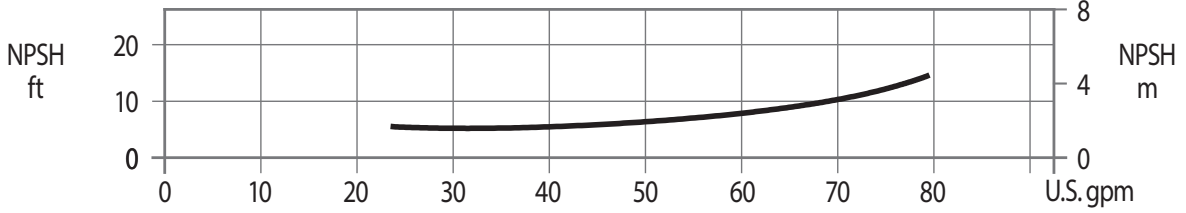
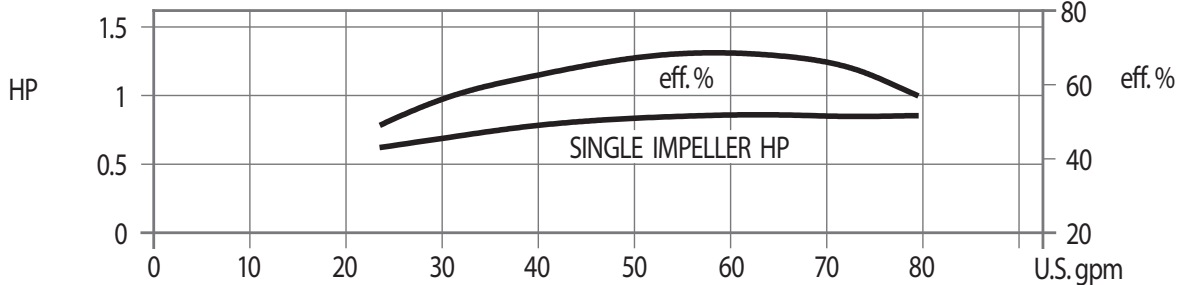
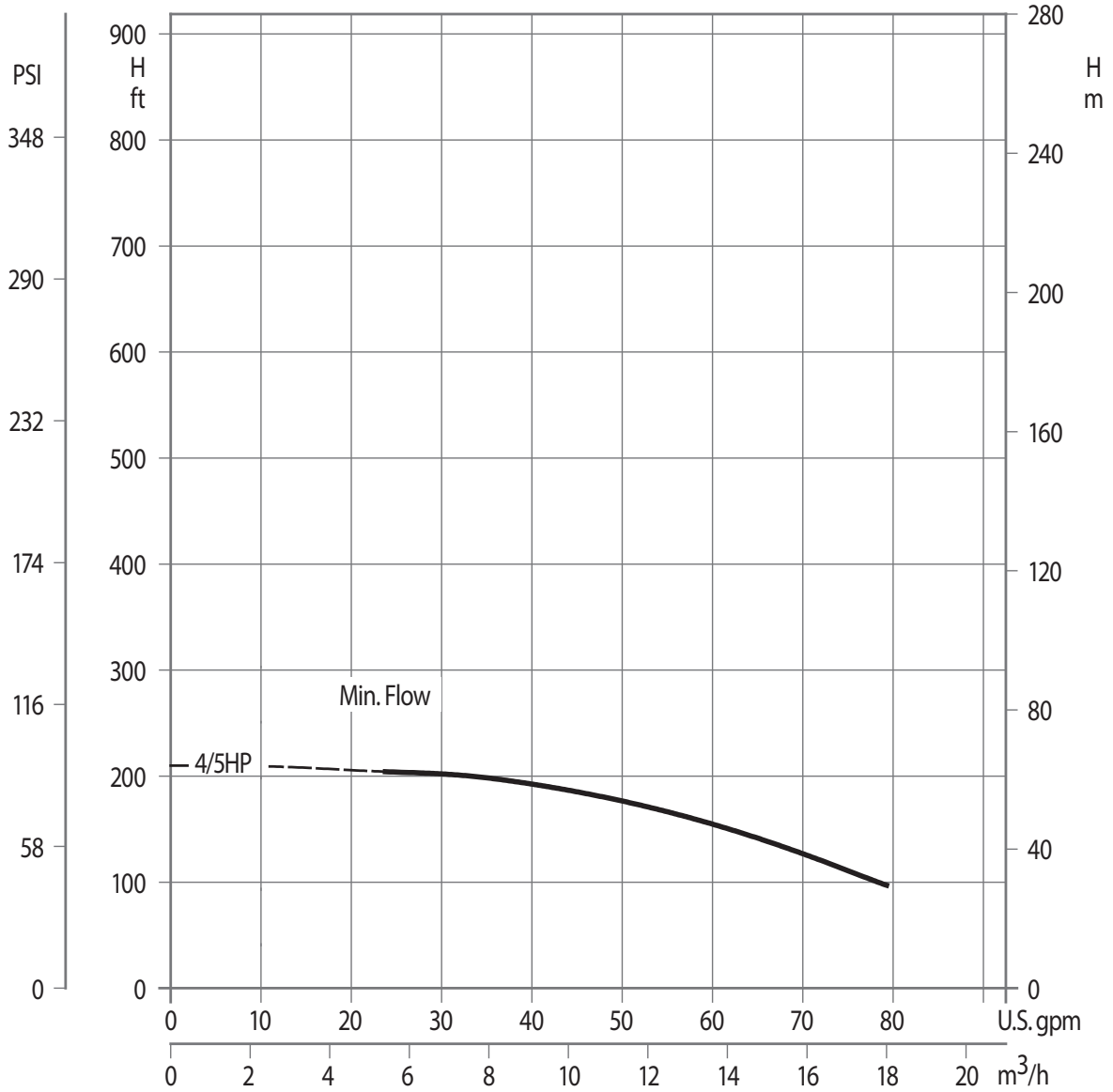
Pump 59.4 lbs

Motor 75 lbs

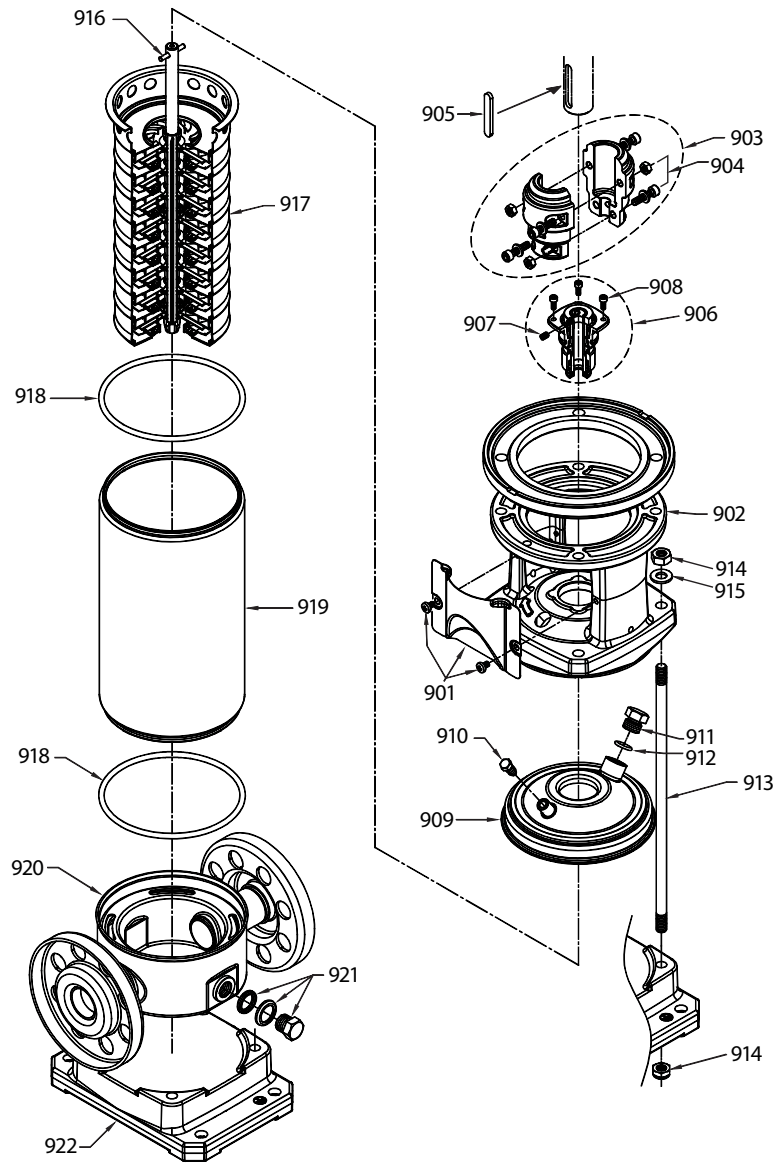
NOTE: See PN 99SVM001 for complete operating instructions, installation and maintenance manual information.

PERFORMANCE CURVE – 3450 RPM

79 gpm, 210 Ft/Hd



EXPLODED VIEW



900 Motor not Shown

PARTS LIST

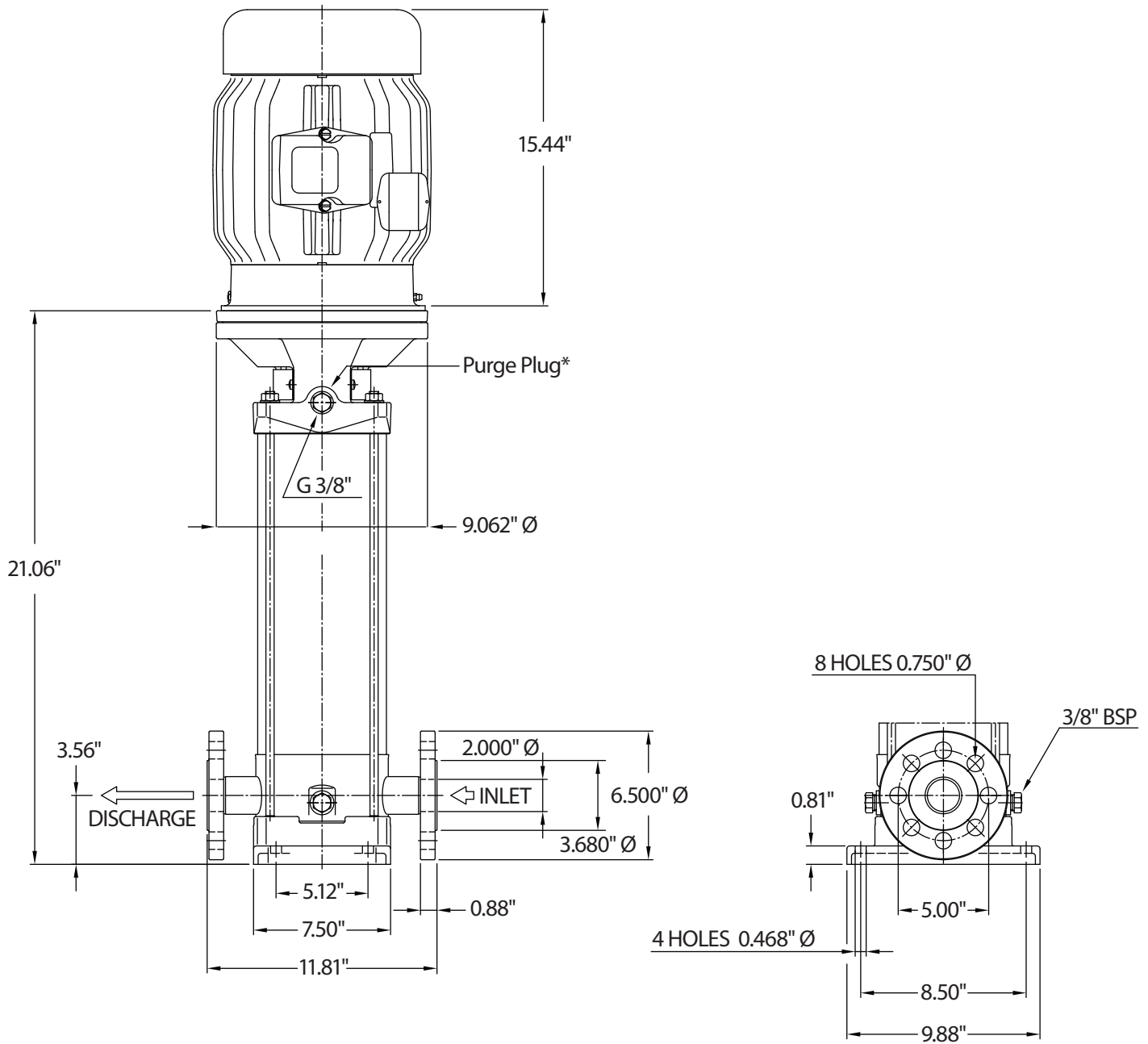
ITEM	PART NUMBER	MATL	DESCRIPTION	QTY
900	—	—	Motor, Electric (not shown)	1
901	—	S	Assy, Coupler Guard	2
902	—	F	Bracket, Motor	1
903	—	AL	Coupling (2 piece)	1
904	—	STL	Hardware, Coupling (M6)	4
905	—	S	Key, Adjuster	1
906	—	FSC	Seal, Mechanical	1
907	—	STL	Screw, Set	1
908	—	STZP	Screws, Mechanical Seal Seat	4
909	—	S	Cover, Casing	1
910	—	S	Plug, Priming	1
911	—	S	Plug	1
912	—	FPM	O-Rings, Plug	1

ITEM	PART NUMBER	MATL	DESCRIPTION	QTY
913	—	STZP	Rods, Tie	4
914	—	STZP	Nuts, Tie Rod	4
915	—	STZP	Washer, Tie Rod	4
916	—	STL	Pin, Shaft	1
917	—	S	Assy, Hydraulic	1
918	—	FPM	O-Ring, Outer Casing	2
919	—	S	Casing, Outer	1
920	—	S	Casing, Bottom	1
921	—	S	Assy, Plug, Drain	2
922	—	AL	Base	1
923	—	—	Kit, Seal (Includes: 906, 918)	1
924	—	—	Kit, Hydraulic (Includes: 905, 906, 917, 918)	1

Italics are optional items

Material Codes (Not part of part number):

AL = Aluminum, F = Cast Iron, FPM = Fluorocarbon, FSC = FPM w/Silicon Carbide, S = 304 Stainless Steel, STL = Steel, STZP = Steel/Zinc Plated



*** All air must be purged out before operation to prevent seal damage.**

⚠ CAUTIONS AND WARNINGS

All High-Pressure Systems require a primary pressure regulating device (i.e. regulator, unloader) and a secondary pressure relief device (i.e. pop-off valve, relief valve). Failure to install such relief devices could result in personal injury or damage to pump or property. Cat Pumps does not assume any liability or responsibility for the operation of a customer's high pressure system.

Read all CAUTIONS and WARNINGS before commencing service or operation of any high pressure system. The CAUTIONS and WARNINGS are included in each service manual and with each Accessory Data sheet. CAUTIONS and WARNINGS can also be viewed online at www.catpumps.com/cautions-warnings or can be requested directly from Cat Pumps.

WARRANTY

View the Limited Warranty on-line at www.catpumps.com/warranty.



CAT PUMPS

1681 - 94th Lane N.E. Minneapolis, MN 55449-4324

Phone (763) 780-5440 · Fax (763) 780-2958 · e-mail: techsupport@catpumps.com · www.catpumps.com